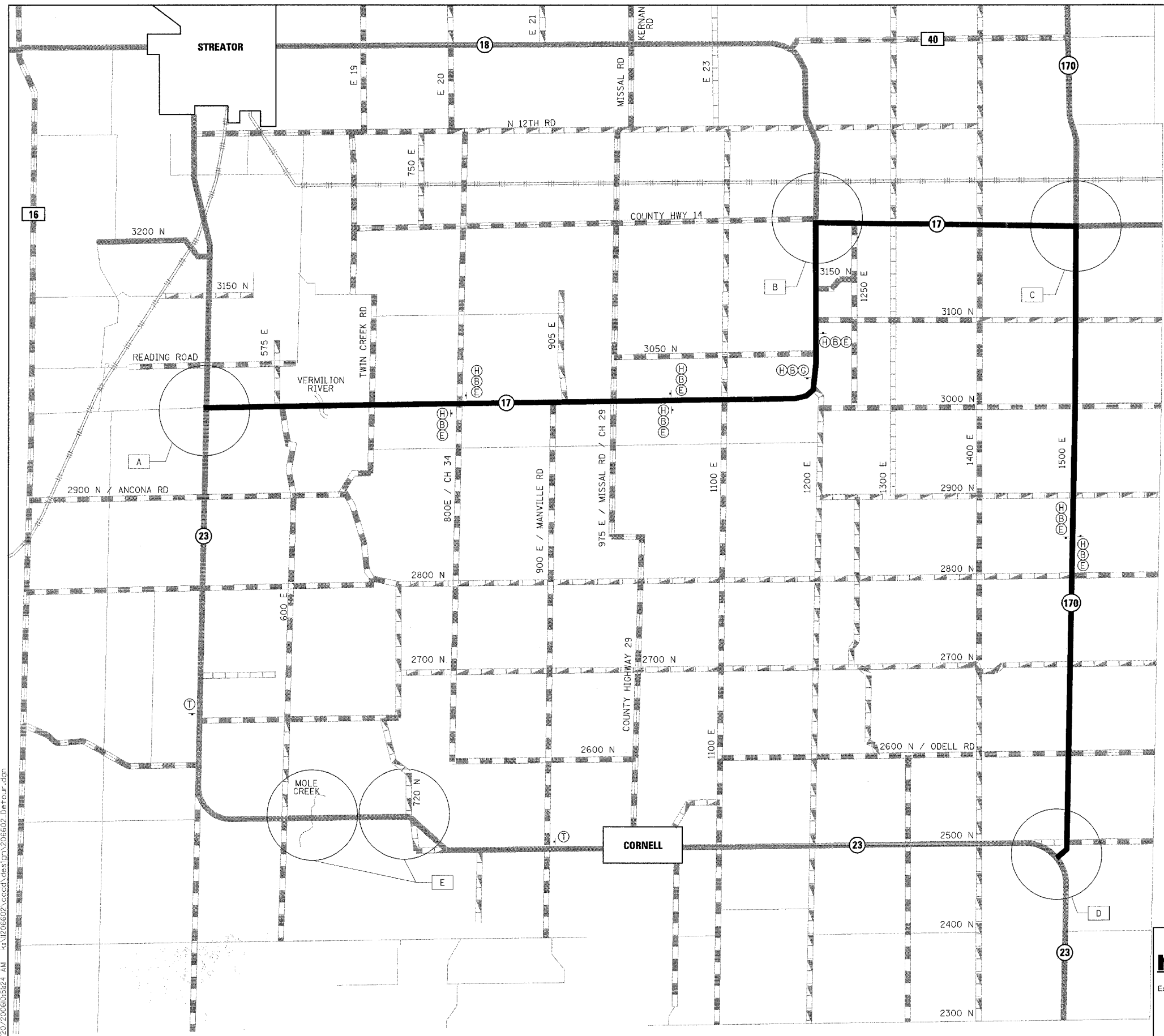


F.A.P. RTE.	SECTION	COUNTY	TOTAL SHEETS	SHEET NO.
68	102 BR	LIVINGSTON	37	7
FED. ROAD DIST. NO. 7 ILLINOIS FED. AID PROJECT				

CONTRACT NO. 66666

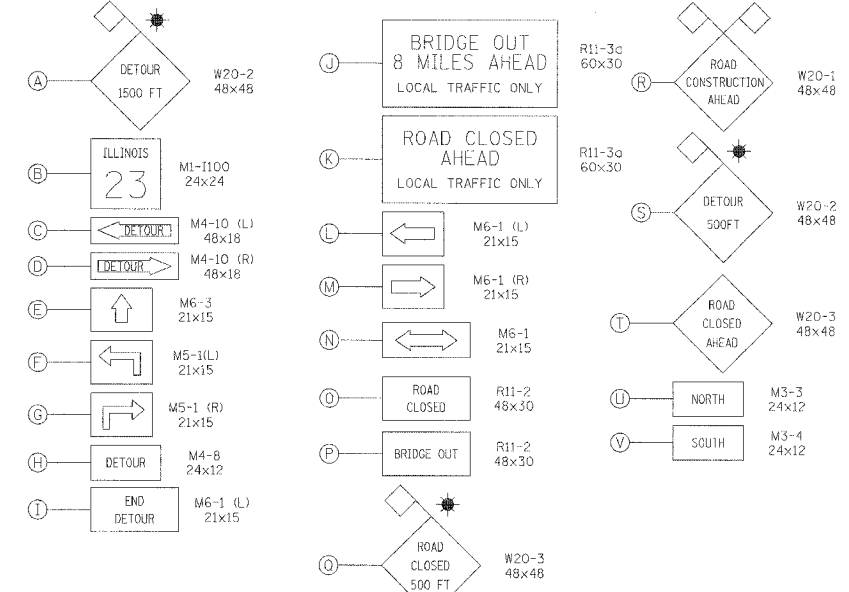


NOTE:
ALL SIGNING TO BE ERECTED AND MAINTAINED BY CONTRACTOR.
IDOT WILL PROVIDE IL 23 ROUTE MARKERS ONLY - PLEASE CALL 21 DAYS IN ADVANCE.



- LEGEND**
- ★ MONODIRECTIONAL FLASHING AMBER LIGHT
 - DIRECTION OF TRAFFIC
 - 1 TYPE III BARRICADE W/STEADY BURNING MONODIRECTIONAL LIGHT SIGN
 - ◇ ORANGE FLAG
 - ▬ PAVED UNDIVIDED
 - ▬ BITUMINOUS HIGH TYPE
 - ▬ BITUMINOUS LOW TYPE
 - ▬ GRAVEL OR STONE
 - ▬ SOIL SURFACE
 - ▬ RAILROAD TRACKS
 - ▬ NOT KNOWN

SCHEDULE OF DETOUR SIGNS



NOTE: DIMENSIONS ARE SHOWN IN INCHES

10/20/2006 10:52:24 AM k:\11206602\cadd\des\ign\206602_Detour.dgn

<p>Excellence through Ownership</p> <p>200 West Front Street Wheaton, IL 60187</p>	<p>REVISIONS</p> <table border="1"> <thead> <tr> <th>NAME</th> <th>DATE</th> </tr> </thead> <tbody> <tr><td> </td><td> </td></tr> <tr><td> </td><td> </td></tr> <tr><td> </td><td> </td></tr> <tr><td> </td><td> </td></tr> </tbody> </table>		NAME	DATE									<p>ILLINOIS DEPARTMENT OF TRANSPORTATION F.A.P. ROUTE 68 (IL 23)</p> <p>DETOUR PLAN</p> <p>SCALE: VERT. NOT TO SCALE HORIZ. NOT TO SCALE DATE: OCTOBER 20, 2006</p> <p>DRAWN BY: NC/JT/SR CHECKED BY: DWB</p>
	NAME	DATE											