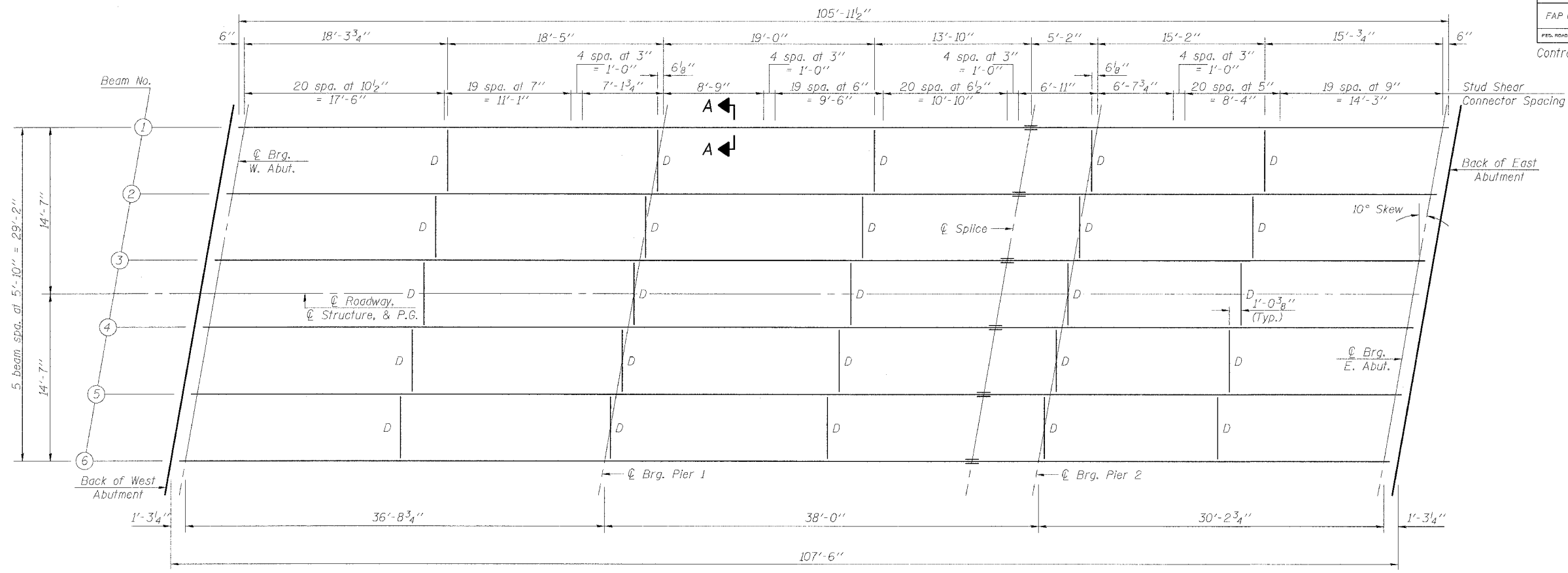


| | | | | | |
|-----------------------|----------|------------------|--------|-------|-----------|
| ROUTE NO. | SECTION | COUNTY | SHEETS | SHEET | SHEET NO. |
| FAP 68 | 102 BR | Livingston | 37 | 18 | 17 SHEETS |
| FED. ROAD DIST. NO. 7 | ILLINOIS | FED. AID PROJECT | | | |

Contract #66666

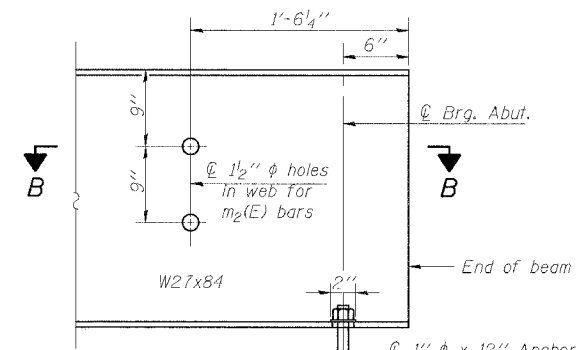


FRAMING PLAN

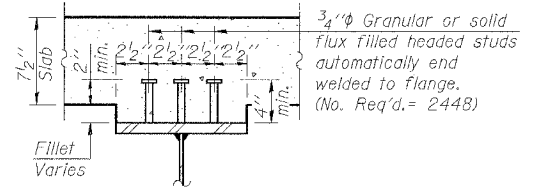
All beams shall be W27x84 AASHTO M 270, Grade 50W (NTR)
NTR denotes members to which Notch Toughness Requirements are applicable

NOTES

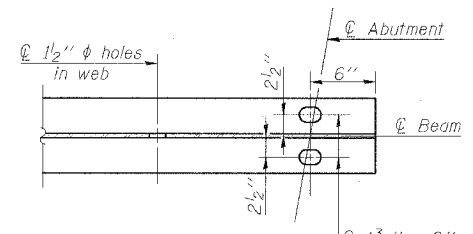
D denotes interior diaphragm.
See Sheet 9 of 17 for Field Splice,
Top of Beam Elevations, and
Diaphragm Details.



TYP. END OF BEAM ELEVATION



SECTION A-A



SECTION B-B

| | |
|--|--|
| <p>Excellence through Ownership</p> <p>200 West Front Street Wheaton, IL 60187</p> | <p>ILLINOIS DEPARTMENT OF TRANSPORTATION</p> <p>STRUCTURAL STEEL IL 23 OVER MOLE CREEK FAP RTE 68 - SECTION 102 BR LIVINGSTON COUNTY STATION 530+05 STRUCTURE NO. 053-0183</p> |
| | <p>DATE: 10/20/2006</p> <p>DRAWN BY JMT CHECKED BY WJV</p> |

10/19/2006 K:\11266662\IL 23 Part B\Structures\Final\Plan\Final Plan.dgn