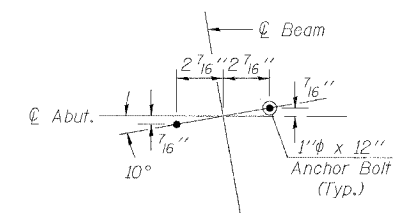
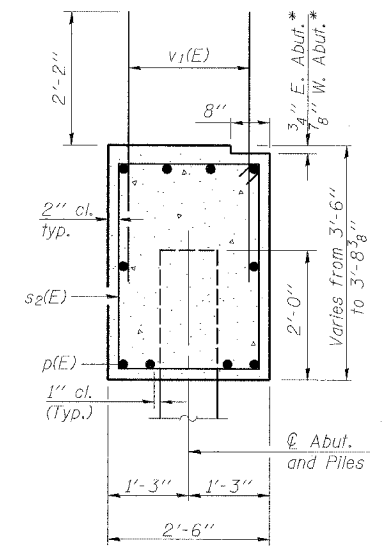
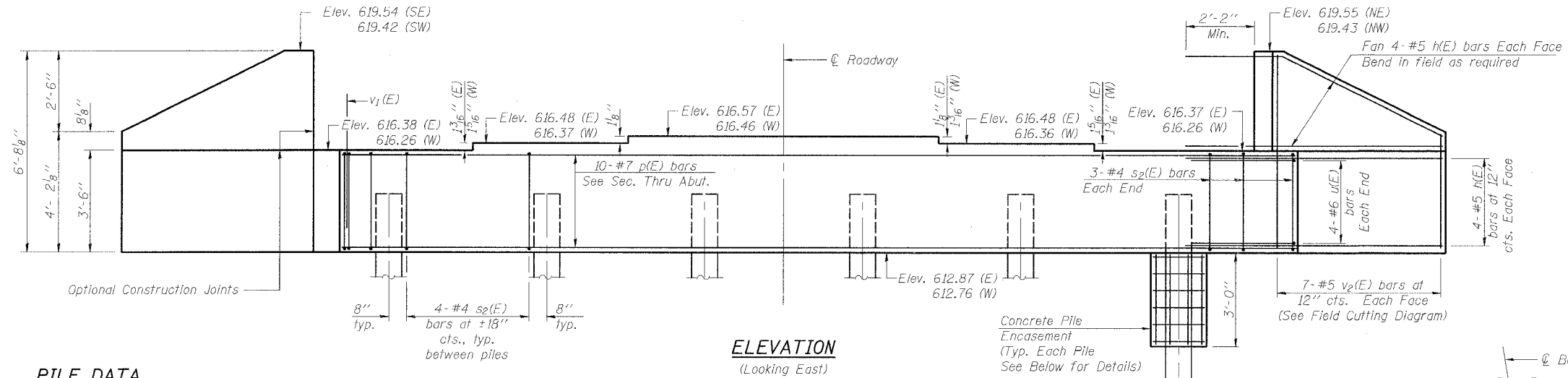


Notes: Pour steps monolithically with cap.  
Reinforcement bars designated (E) shall be epoxy coated.  
Space reinforcement in cap to miss anchor bolts.  
See Sheet 9 of 17 for bearing details.  
See Sheet 10 of 17 for anchor bolt installation.  
All edges shall have standard 3/4" chamfers.

ROUTE NO.	SECTION	COUNTY	SHEET	SHEET NO.
FAP 68	102 BR	LIVINGSTON	37	21
FED. ROAD DIST. NO. 7		ILLINOIS	FED. AID PROJECT	

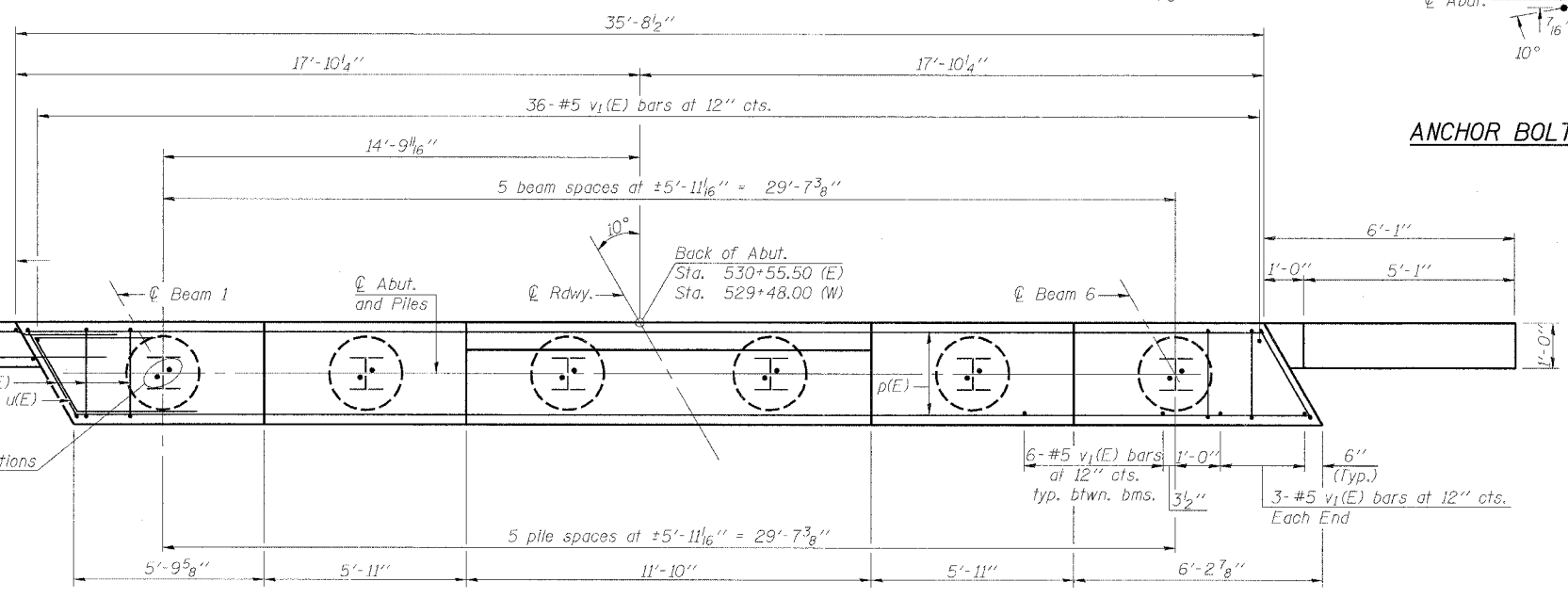
Contract #66666



**PILE DATA**

Type & Size: Steel HP 12x53 with Pile Shoes  
Nominal Required Bearing: 210 kips  
Allowable Resistance Available: 70 kips  
Est. Length: 25' (East Abutment)  
26' (West Abutment)  
No. Req'd: 6 (East Abutment)  
5 (West Abutment) plus 1 Test Pile

The Steel H-piles shall be according to AASHTO M270 Grade 50.  
The test pile shall be driven to 110 percent of the Nominal Required Bearing indicated in the pile data information.

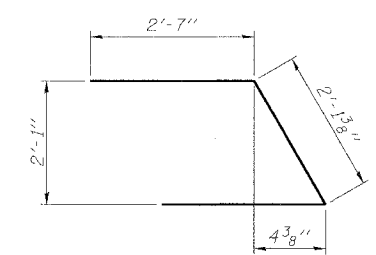
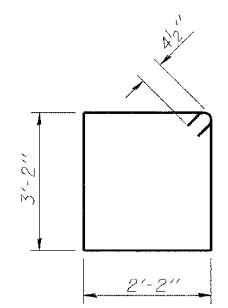
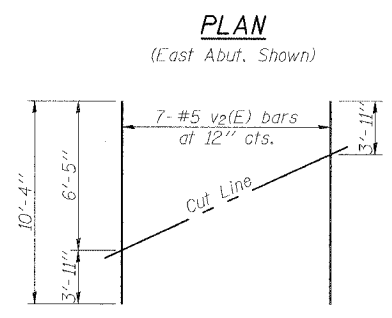
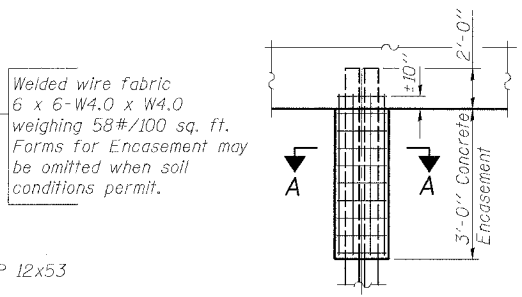
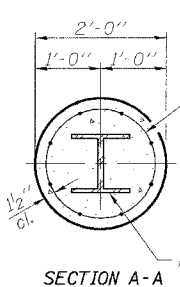


**SEC. THRU ABUT.**  
\* Beam Seats 3 and 4 only

**BILL OF MATERIAL**  
(2 Abutments)

Bar	No.	Size	Length	Shape
h(E)	64	#5	8'-2"	—
p(E)	20	#8	35'-5"	—
s2(E)	52	#4	11'-5"	□
u(E)	16	#6	7'-3"	∩
v1(E)	144	#5	4'-4"	—
v2(E)	28	#5	10'-4"	—
Concrete Structures		Cu. Yd.	28.8	
Reinforcement Bars, Epoxy Coated		Pound	3960	
Structure Excavation		Cu. Yd.	197	
Furnishing Steel Piles HP 12x53		Foot	280	
Test Pile Steel HP 12x53		Each	1	
Driving Piles		Foot	280	
Pile Shoes		Each	12	
Concrete Encasement		Cu. Yd.	4.2	

Reinforcement bars designated (E) shall be epoxy coated.



**rjngroup**  
Excellence through Ownership  
200 West Front Street  
Wheaton, IL 60187

ILLINOIS DEPARTMENT OF TRANSPORTATION  
ABUTMENTS  
IL 23 OVER MOLE CREEK  
FAP RTE 68 - SECTION 102 BR  
LIVINGSTON COUNTY  
STATION 530+05  
STRUCTURE NO. 053-0183

DATE: 10/20/2006  
DRAWN BY: JMT  
CHECKED BY: WJV

18/19/2006 K31266201L 23 Part B Structures Final Plans Final Plotting