

ROUTE NO.	SECTION	COUNTY	TOTAL SHEETS	SHEET NO.	SHEET NO. 14
FAP 68	102 BR	Livingston	37	24	17 SHEETS
FED. ROAD DIST. NO. 7	ILLINOIS	FED. AID PROJECT			

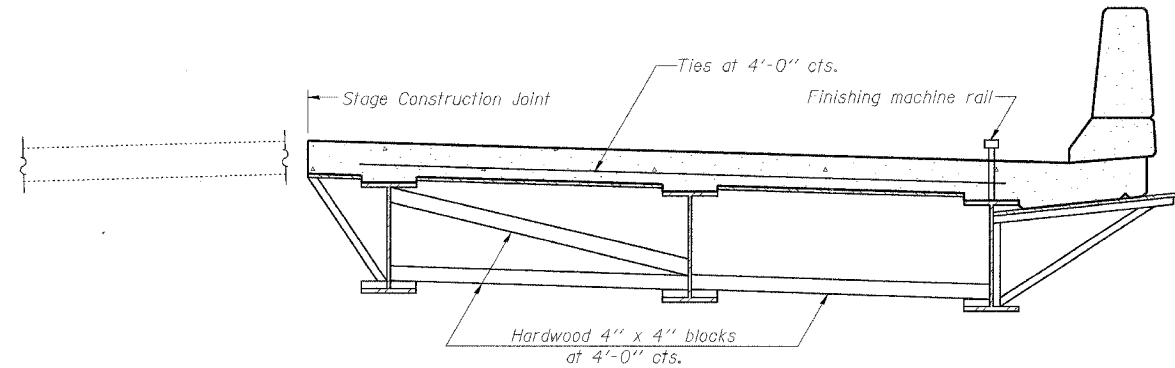
Contract #66666

When cantilever forming brackets are used, the work shall be done according to Article 503.06, except as modified below and in the details shown on this sheet.

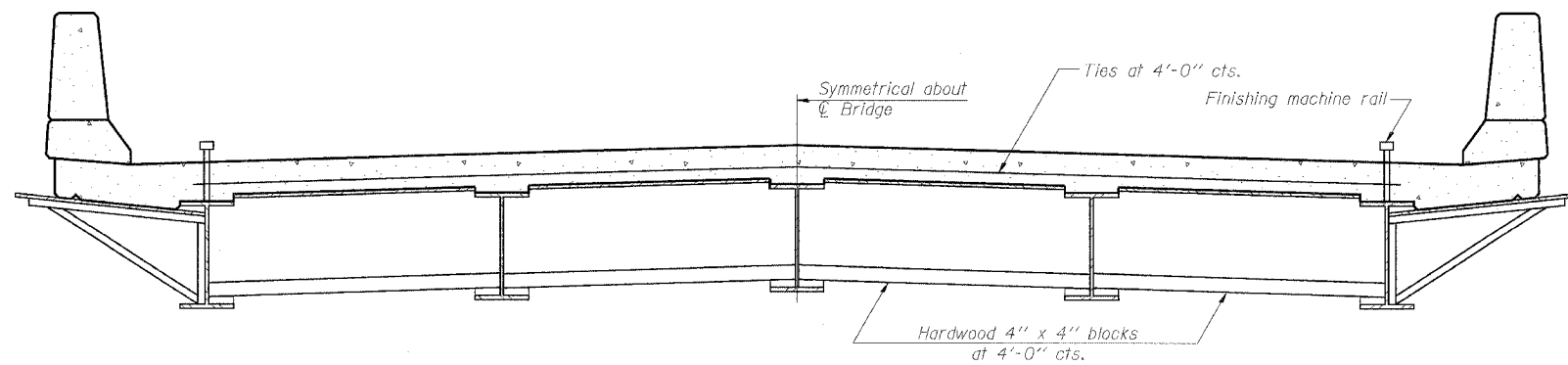
The finishing machine rails shall be placed on the top flange of the exterior beams.

The beams or girders, supporting cantilever forming brackets, shall be tied together at 4 foot intervals.

For Standard construction, or Stage Construction the Hardwood bracing materials shall be placed as shown between webs of beams in each bay.



**FORM BRACES FOR
STAGE CONSTRUCTION**



**FORM BRACES FOR
STANDARD CONSTRUCTION**

<p>Excellence through Ownership</p> <p>200 West Front Street Wheaton, IL 60187</p>	ILLINOIS DEPARTMENT OF TRANSPORTATION
	<p>CANTILEVER FORMING BRACKETS IL 23 OVER MOLE CREEK FAP RTE 68 - SECTION 102 BR LIVINGSTON COUNTY STATION 530+05 STRUCTURE NO. 053-0183</p>
DATE: 10/20/2006	DRAWN BY JMT CHECKED BY WJV

SB-1

10-22-04