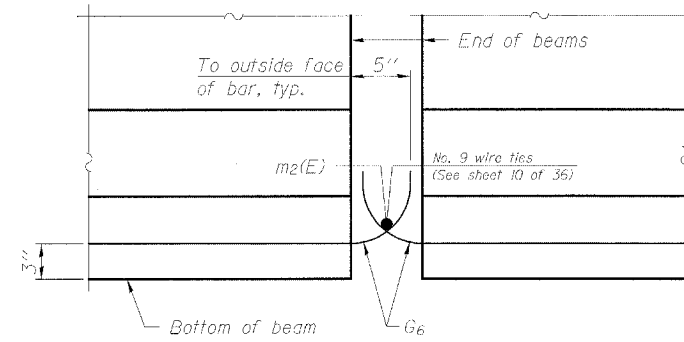


STATE OF ILLINOIS
DEPARTMENT OF TRANSPORTATION

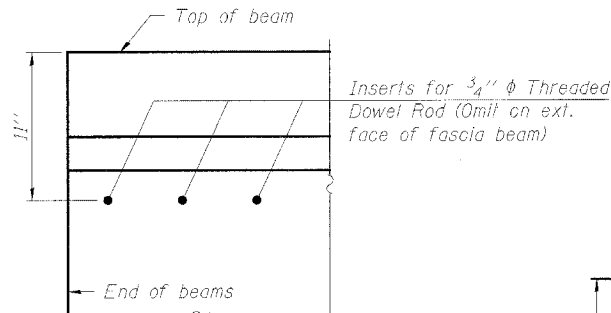
| | | | | |
|-----------------------|---------------|-------------------|--------------|-----------|
| ROUTE NO. | SECTION | COUNTY | TOTAL SHEETS | SHEET NO. |
| F.A.P. 315 | 34-6, 55-1 | HANCOCK | 433 | 215 |
| FED. ROAD DIST. NO. 7 | DIST. NO. | FED. AID PROJECT- | | |

SHEET NO. 17
36 SHEETS

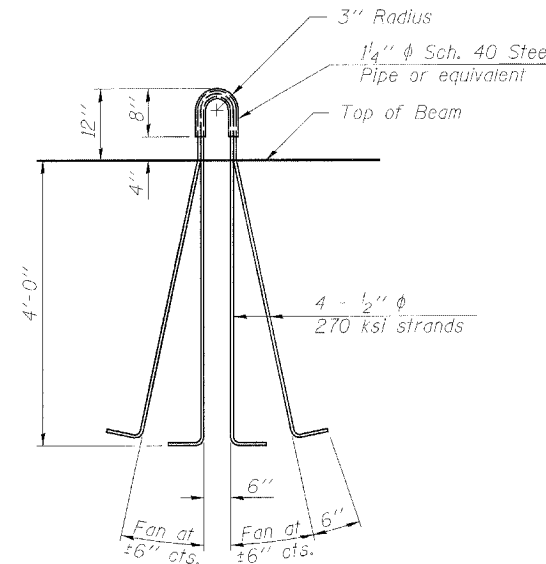
Contract #68206



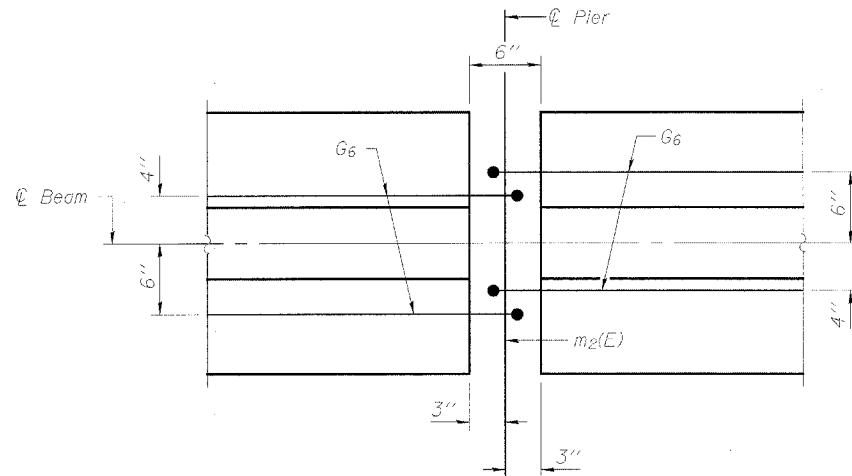
ELEVATION OF BEAM AT PIER



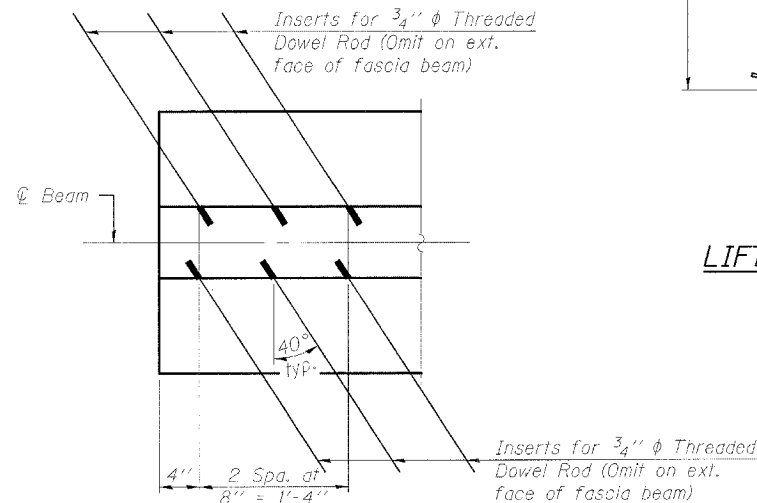
ELEVATION OF BEAM AT ABUT.



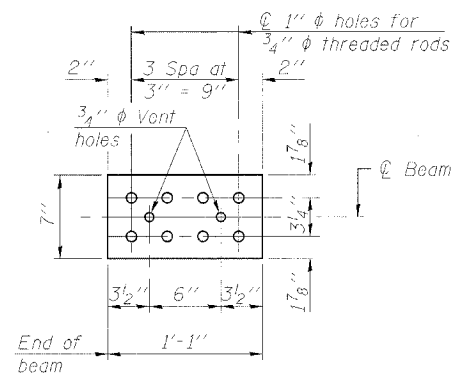
LIFTING LOOP DETAIL



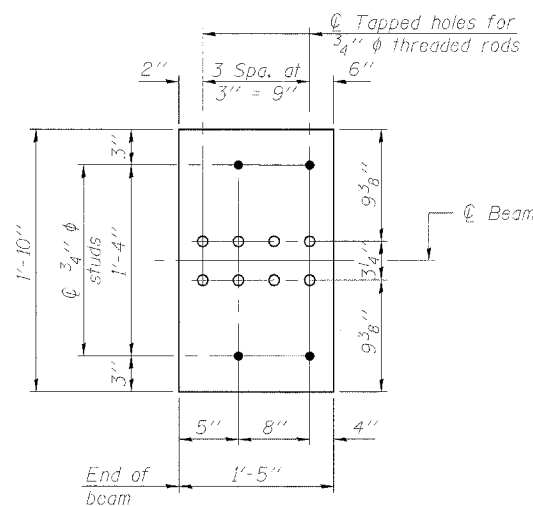
PLAN OF BEAM AT PIER



PLAN OF BEAM AT ABUT.

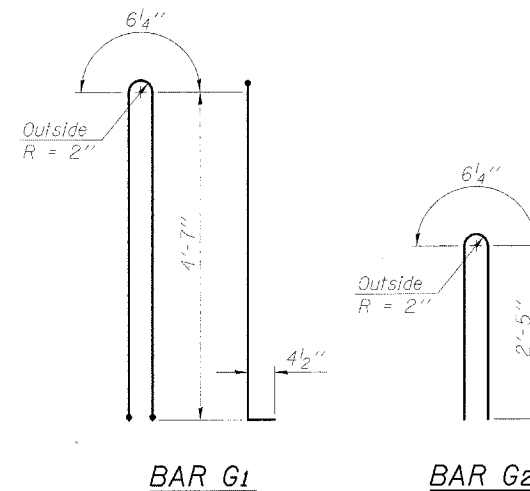


TOP PLATE



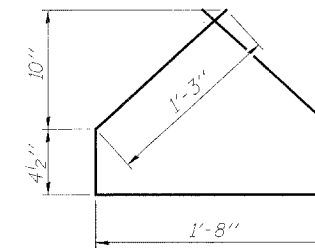
BOTTOM PLATE

See bearing details for pin/le hole locations when required.

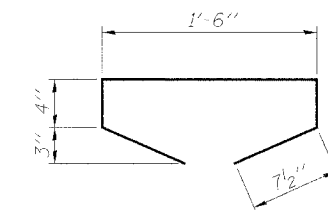


BAR G1

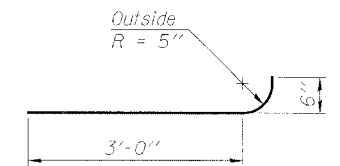
BAR G2



BAR G4



BAR G5



BAR G6

BILL OF MATERIAL
(ONE STRUCTURE)

| Item | Unit | Total |
|---|------|-------|
| Furnishing and Erecting Precast Prestressed Concrete I-Beams, 54" | Fl. | 1466 |

54" PPC I-BEAM DETAILS
ILLINOIS ROUTE 336 OVER
EAST FORK OF THE LAMOINE RIVER
F.A.P. ROUTE 315 - SECTION 34-6, 55-1
HANCOCK COUNTY; STA. 1432+02.61
STRUCTURE NO. 034-0511 (E.B.)
STRUCTURE NO. 034-0512 (W.B.)

| | |
|----------|-----|
| DESIGNED | KLH |
| CHECKED | EML |
| DRAWN | KBF |
| CHECKED | KLH |

HORNER & SHIFRIN, INC.
ENGINEERS ■ ARCHITECTS ■ PLANNERS