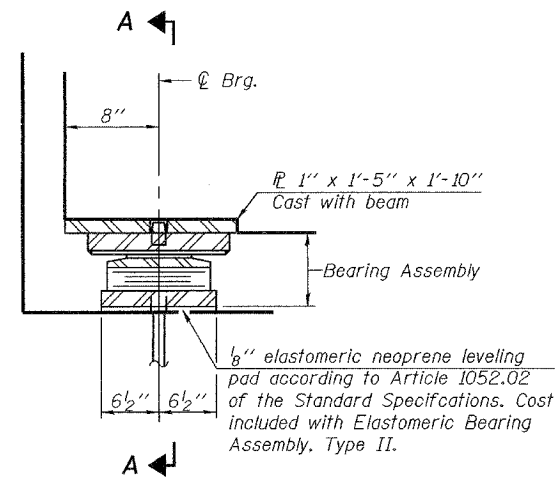


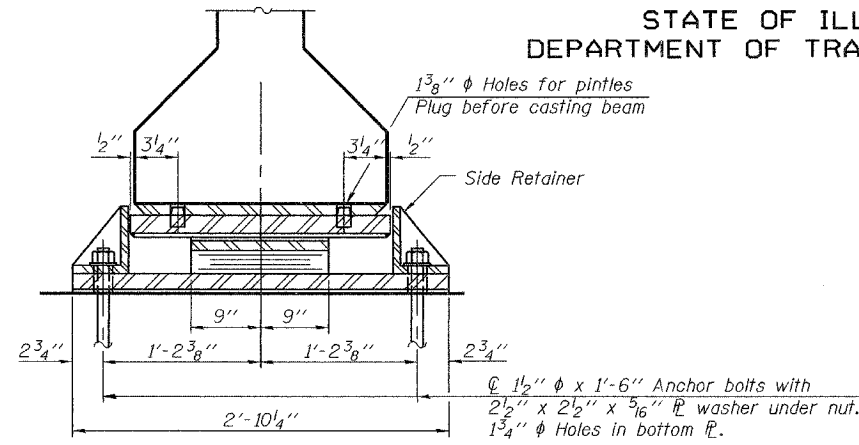
STATE OF ILLINOIS  
DEPARTMENT OF TRANSPORTATION

|                       |               |                   |              |       |                           |
|-----------------------|---------------|-------------------|--------------|-------|---------------------------|
| ROUTE NO.             | SECTION       | COUNTY            | TOTAL SHEETS | SHEET | SHEET NO. 19<br>36 SHEETS |
| F.A.P. 315            | 34-6,<br>55-1 | HANCOCK           | 433          | 217   |                           |
| FED. ROAD DIST. NO. 7 | ILLINOIS      | FED. AID PROJECT- |              |       |                           |

Contract #68206



SECTION AT E. ABUT.

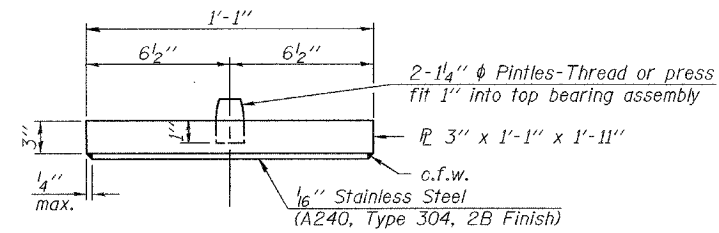


SECTION A-A

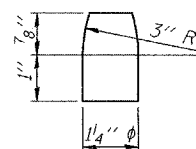
Notes:

The 1/8" PTFE sheet shall be bonded directly to the top steel plate with a two-component, medium viscosity epoxy resin, conforming to the requirements of the Federal Specification MMM-A-134, Type I. The bond agent shall be applied on the full area of the contact surfaces. Bonding of 1/8" PTFE sheet during vulcanizing process will be permitted provided the process and method of adjusting assembly height is approved by the Engineer. Holes at expansion bearings shall be drilled and anchor bolts grouted in place after beams have been erected. See sheet 20 of 36 for anchor bolt installation. See sheet 17 of 36 for additional details of plate cast with beam.

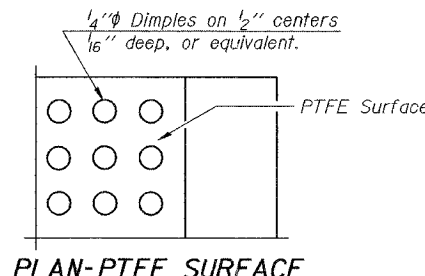
TYPE II ELASTOMERIC EXP. BRG.



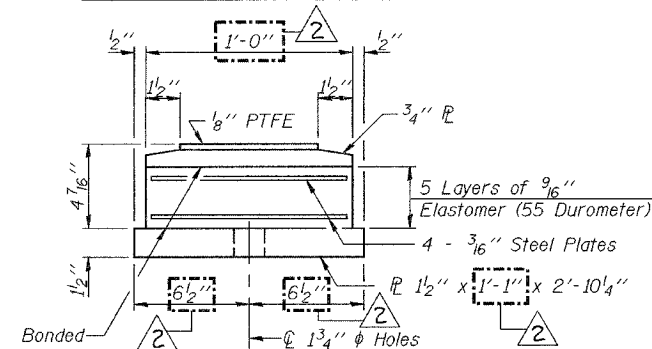
TOP BEARING ASSEMBLY



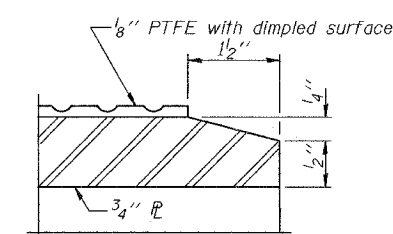
PINTLE



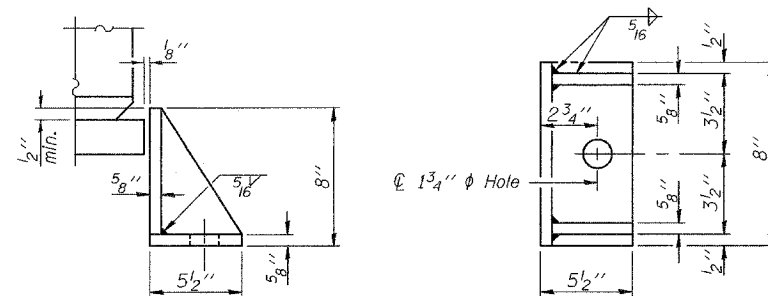
PLAN-PTFE SURFACE



BOTTOM BEARING ASSEMBLY

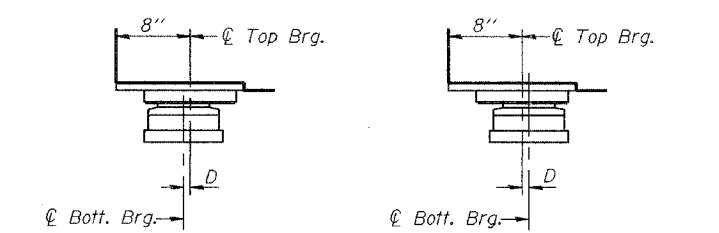


SECTION THRU PTFE



SIDE RETAINER

Cost included with Elastomeric Bearing Assembly, Type II. Equivalent rolled angle with stiffeners will be allowed in lieu of welded plates.



SETTING ANCHOR BOLTS AT EXP. BRG.  
BELOW 50°F. (Move bott. brg. away from fixed brg.)  
ABOVE 50°F. (Move bott. brg. toward fixed brg.)

SETTING ANCHOR BOLTS AT EXP. BRG.

D=1/8" per each 100' of expansion for every 15° temp. change from the normal temp. of 50°F.

BILL OF MATERIAL (E. ABUT.)  
(ONE STRUCTURE)

| Item                                  | Unit | Total |
|---------------------------------------|------|-------|
| Elastomeric Bearing Assembly, Type II | Each | 6     |

|          |     |
|----------|-----|
| DESIGNED | KLH |
| CHECKED  | EML |
| DRAWN    | EML |
| CHECKED  | KPH |

HORNER & SHIFRIN, INC.  
ENGINEERS ■ ARCHITECTS ■ PLANNERS

PI-2E-2 7-15-05

BEARING DETAILS, TYPE II  
ILLINOIS ROUTE 336 OVER  
EAST FORK OF THE LAMOINE RIVER  
F.A.P. ROUTE 315 - SECTION 34-6, 55-1  
HANCOCK COUNTY; STA. 1432+02.61  
STRUCTURE NO. 034-0511 (E.B.)  
STRUCTURE NO. 034-0512 (W.B.)

Revised 11/2/06, EML