

STATE OF ILLINOIS  
DEPARTMENT OF TRANSPORTATION

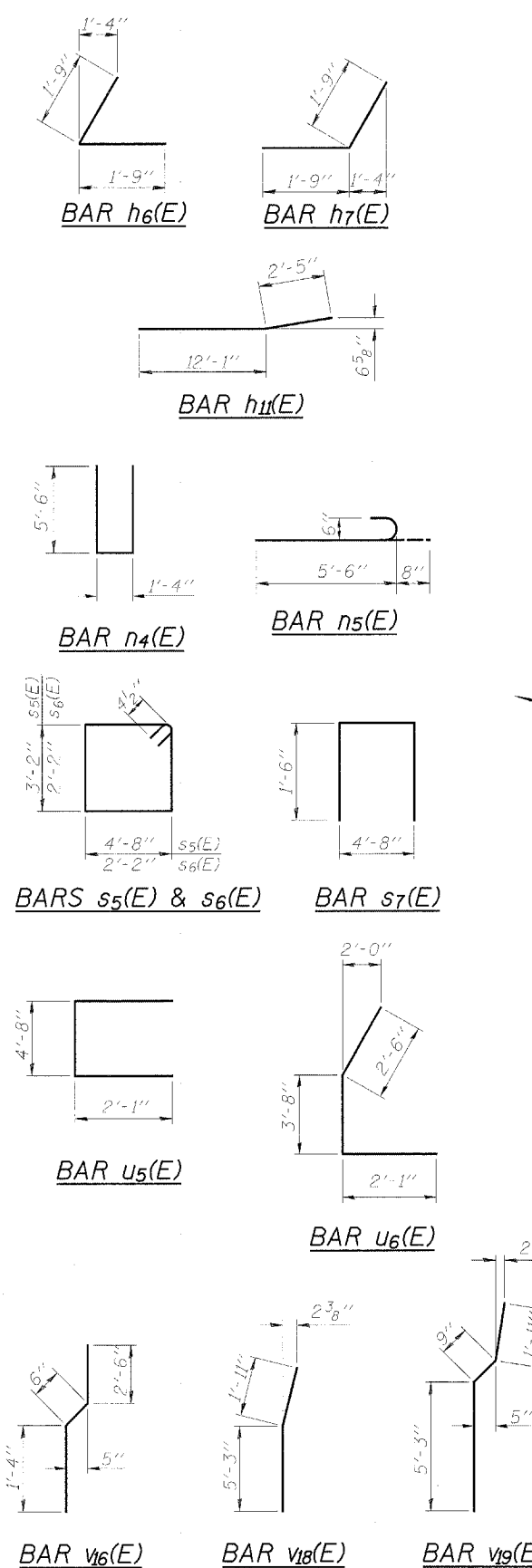
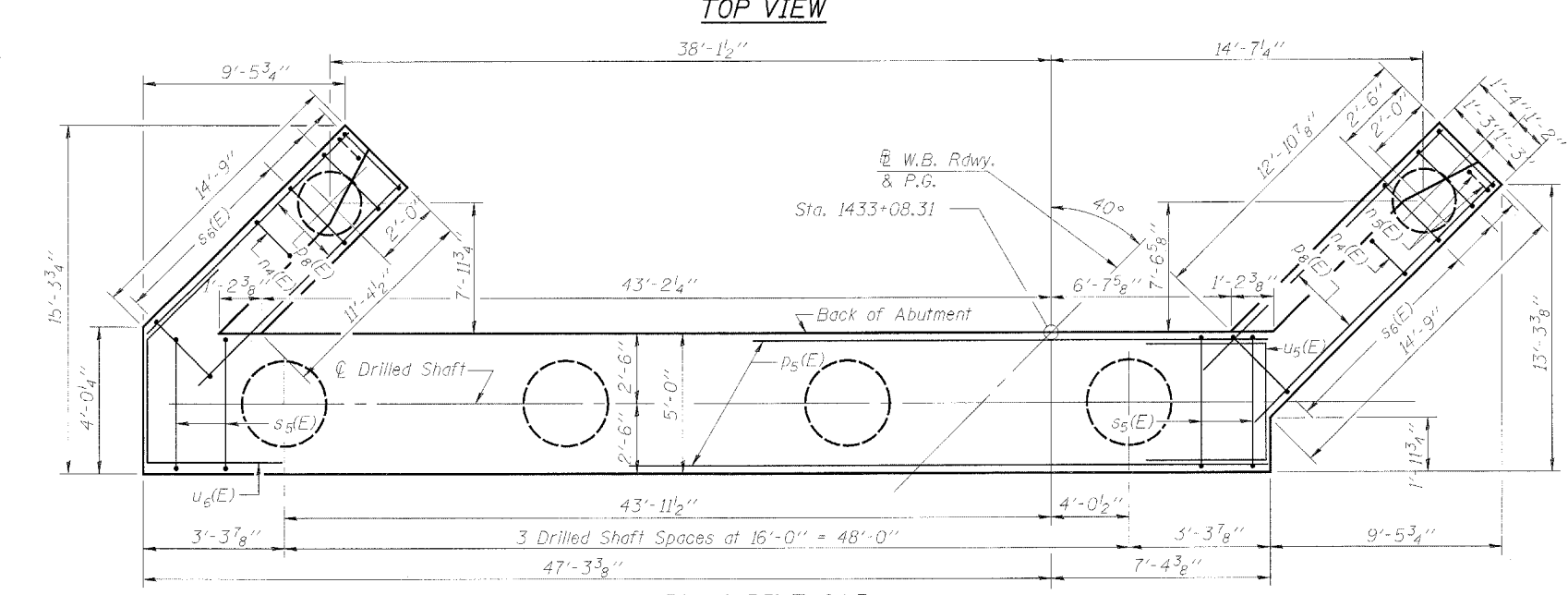
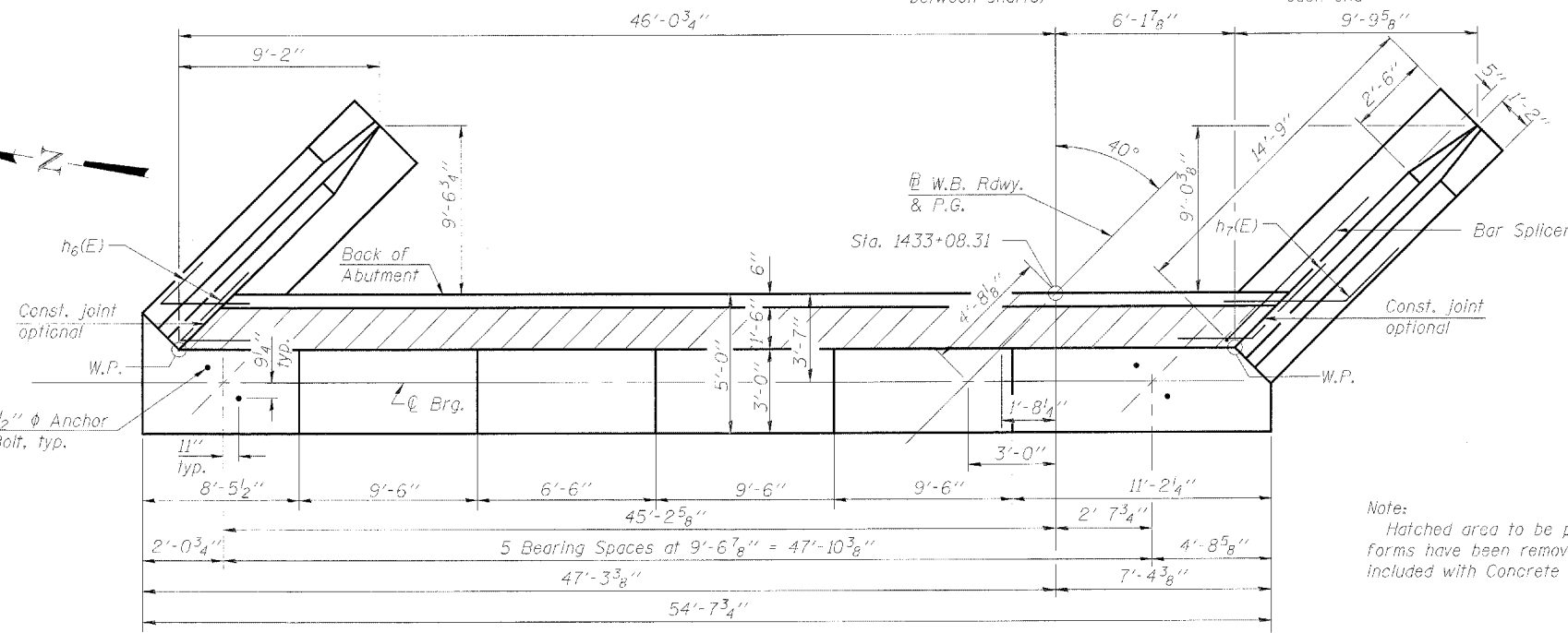
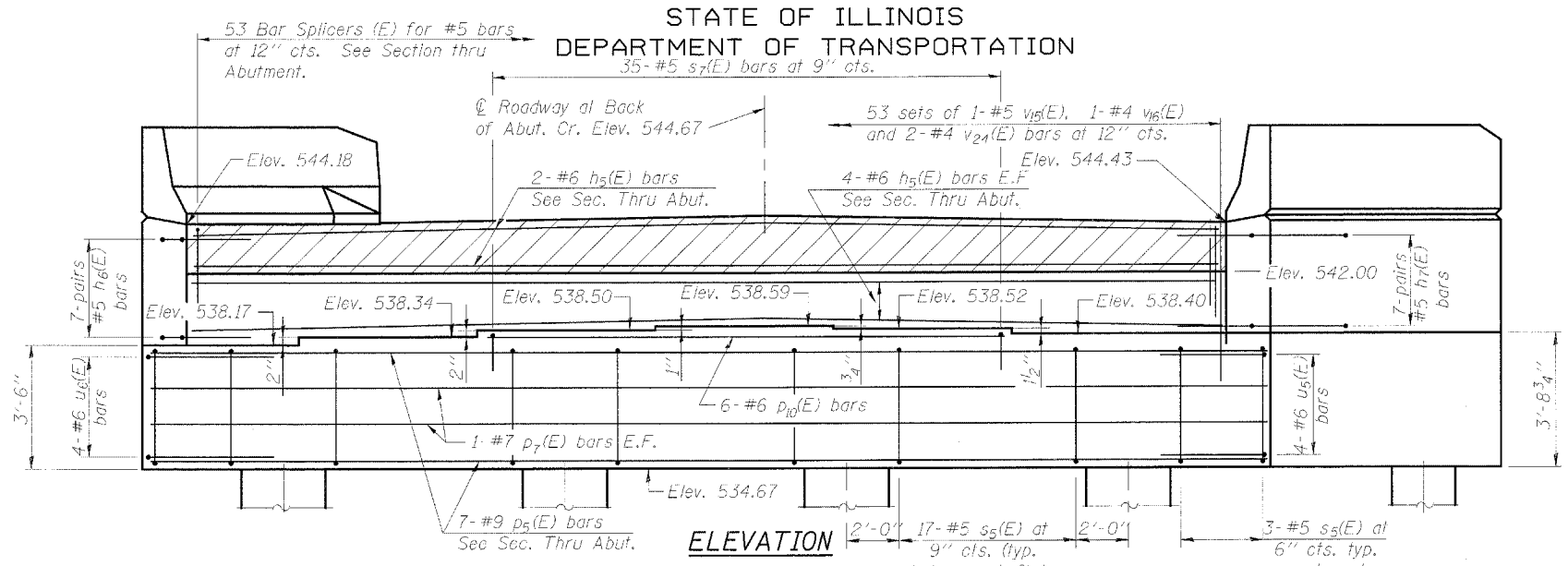
ROUTE NO.	SECTION	COUNTY	LENG.	SHEET NO.	SHEET NO. 24 36 SHEETS
F.A.P. 315	34-6, 55-1	HANCOCK	433	222	
FED. ROAD DIST. NO. 7	LANSING	FED. AID PROJECT			

Contract #68206

ABUTMENT  
BILL OF MATERIAL

Bar	No.	Size	Length	Shape
h <sub>6</sub> (E)	12	#6	52'-0"	—
h <sub>6</sub> (E)	14	#5	3'-6"	└
h <sub>7</sub> (E)	14	#5	3'-6"	└
h <sub>10</sub> (E)	24	#4	14'-5"	—
h <sub>11</sub> (E)	16	#4	14'-6"	—
n <sub>2</sub> (E)	88	#10	7'-0"	—
n <sub>3</sub> (E)	12	#8	5'-0"	—
n <sub>4</sub> (E)	26	#6	12'-4"	—
n <sub>5</sub> (E)	12	#6	6'-2"	—
p <sub>5</sub> (E)	14	#9	54'-4"	—
p <sub>7</sub> (E)	4	#7	54'-4"	—
p <sub>8</sub> (E)	12	#7	14'-6"	—
p <sub>9</sub> (E)	6	#6	25'-3"	—
s <sub>5</sub> (E)	57	#5	16'-5"	└
s <sub>6</sub> (E)	30	#4	9'-5"	└
s <sub>7</sub> (E)	35	#5	7'-8"	└
* s <sub>D14</sub>	2	#4	40'-8"	
* s <sub>D15</sub>	4	#4	49'-8"	
u <sub>5</sub> (E)	4	#6	8'-10"	└
u <sub>6</sub> (E)	4	#6	8'-3"	└
v <sub>15</sub> (E)	53	#5	3'-2"	—
v <sub>16</sub> (E)	53	#4	4'-4"	—
v <sub>17</sub> (E)	30	#6	8'-2"	—
v <sub>18</sub> (E)	6	#6	7'-2"	—
v <sub>19</sub> (E)	26	#6	7'-11"	—
v <sub>24</sub> (E)	106	#4	5'-6"	—
v <sub>25</sub>	88	#11	49'-4"	—
v <sub>26</sub>	12	#8	40'-4"	—
Structure Excavation		Cu. Yd.		107
Drilled Shaft in Soil		Foot		143
42" Dia.				
Drilled Shaft in Rock		Foot		56
36" Dia.				
Drilled Shaft in Soil		Foot		72
24" Dia.				
Drilled Shaft in Rock		Foot		10
18" Dia.				
Concrete Structures		Cu. Yd.		79.2
Reinforcement Bars, Epoxy Coated		Pound		11450
Reinforcement Bars		Pound		27070
Bar Splicer (E)		Each		53

Reinforcement Bars designated (E) shall be epoxy coated.  
For details of Bar Splicers, see sheet 31 of 36.  
Space reinforcement to miss anchor bolts.  
\* Length is height of spiral.  
Cast steps monolithically with cap.



DESIGNED	KLH
CHECKED	EML
DRAWN	JGC
CHECKED	KLH

**HORNER & SHIFRIN, INC.**  
ENGINEERS ■ ARCHITECTS ■ PLANNERS

**EAST ABUTMENT DETAILS - W.B. STRUCTURE**  
**ILLINOIS ROUTE 336 OVER**  
**EAST FORK OF THE LAMOINE RIVER**  
**F.A.P. ROUTE 315 - SECTION 34-6, 55-1**  
**HANCOCK COUNTY; STA. 1432+02.61**  
**STRUCTURE NO. 034-0511 (E.B.)**  
**STRUCTURE NO. 034-0512 (W.B.)**