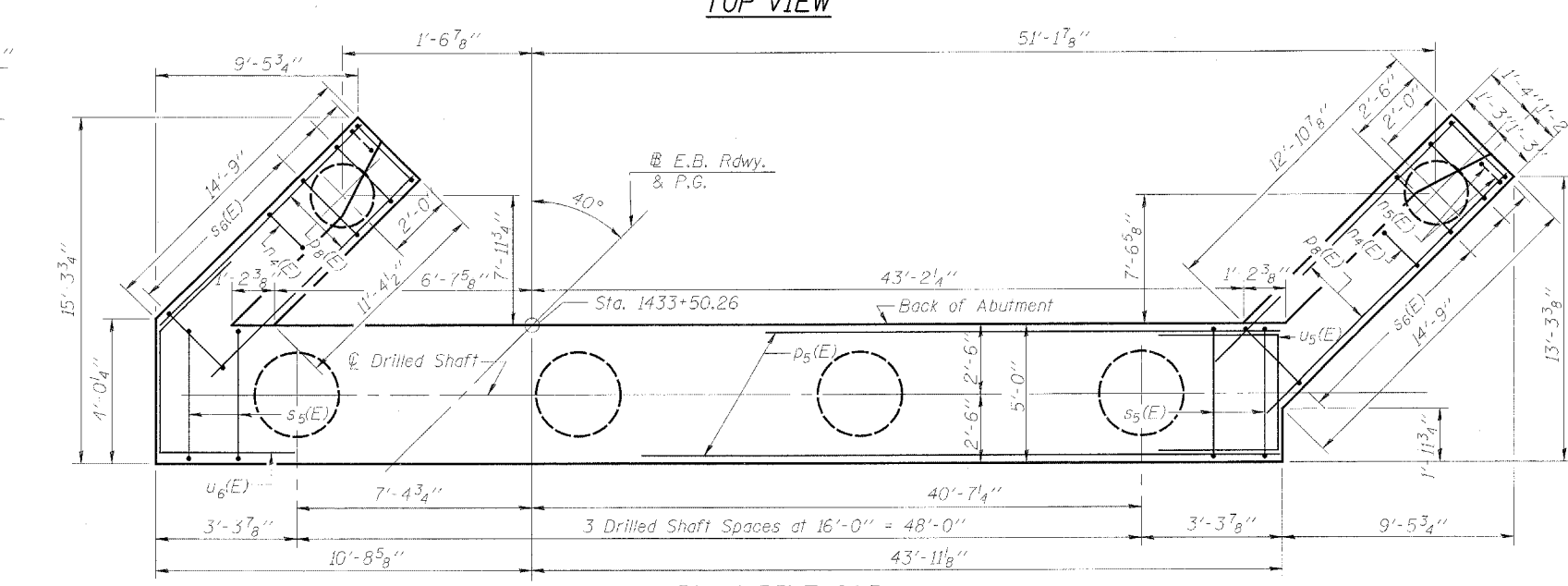
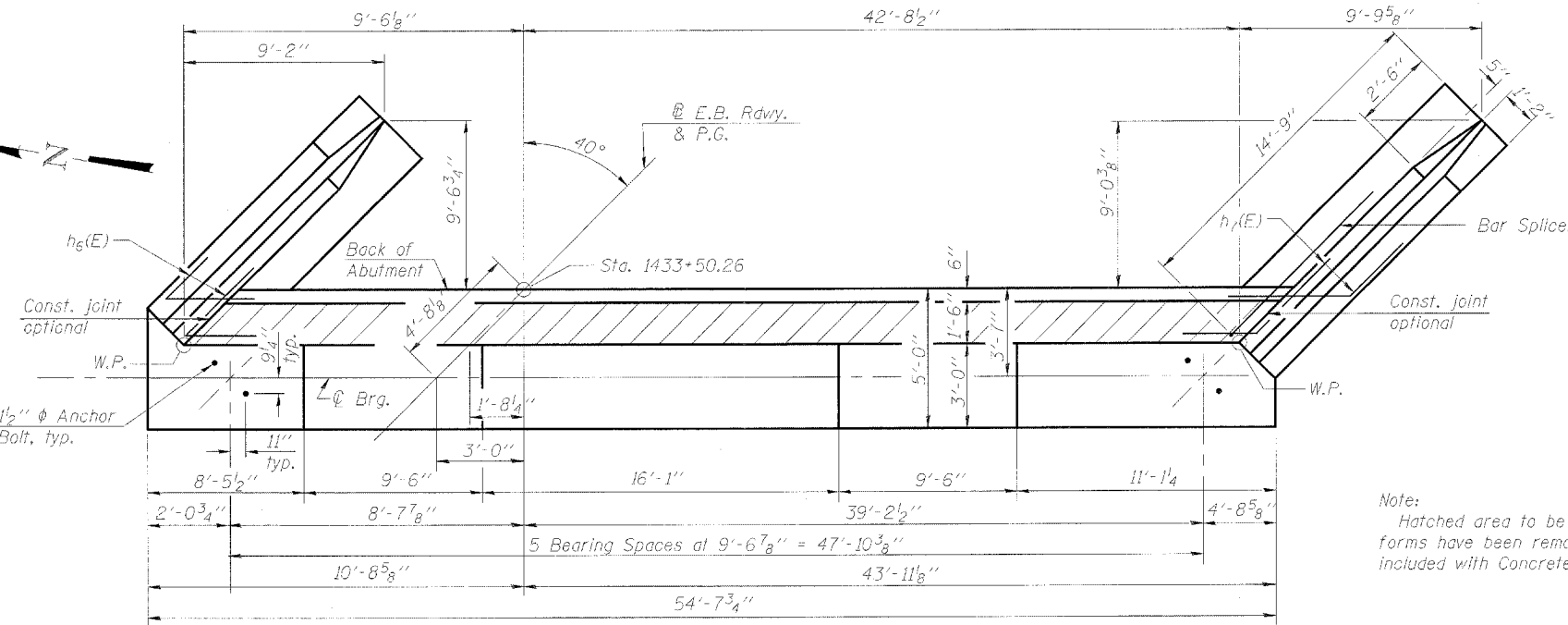
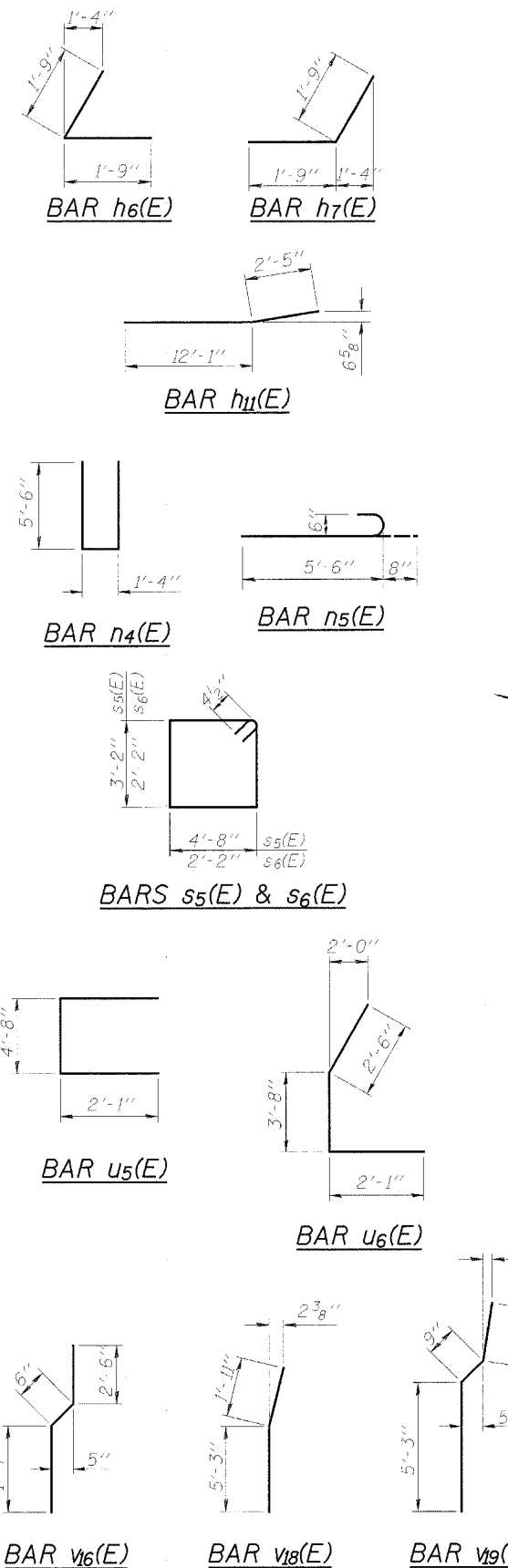
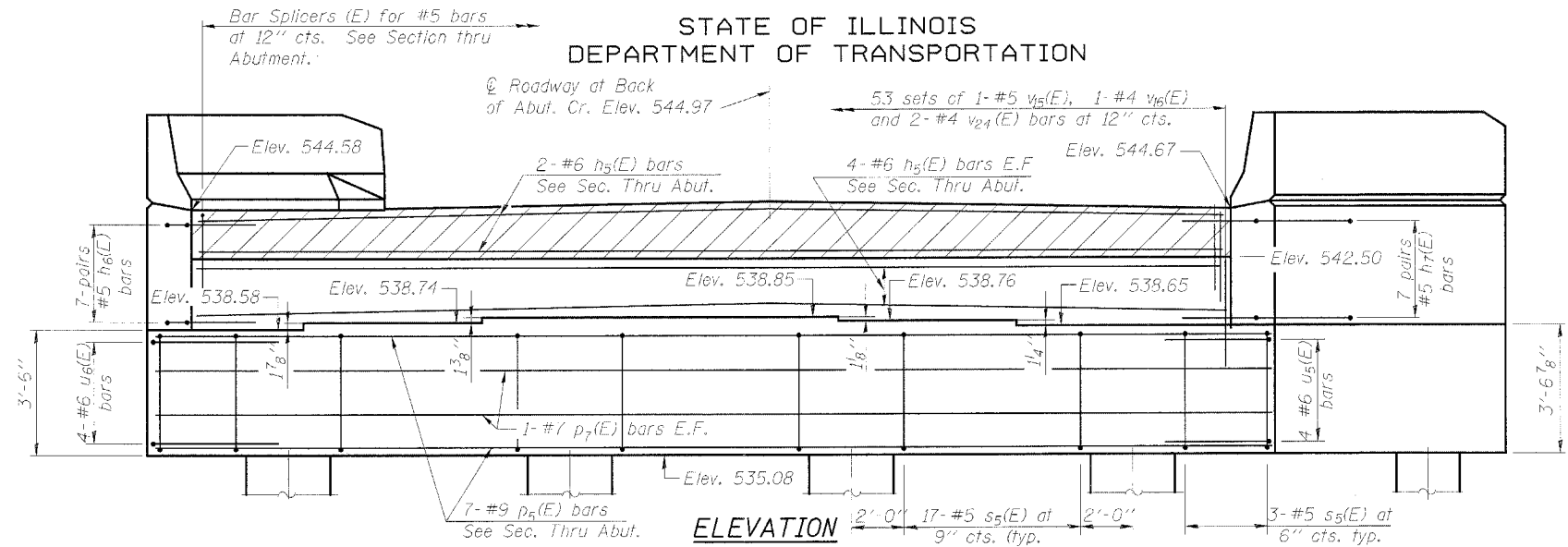


STATE OF ILLINOIS  
DEPARTMENT OF TRANSPORTATION

ABUTMENT  
BILL OF MATERIAL



Bar	No.	Size	Length	Shape
h <sub>5</sub> (E)	12	#6	52'-0"	
h <sub>6</sub> (E)	14	#5	3'-6"	
h <sub>7</sub> (E)	14	#5	3'-6"	
h <sub>10</sub> (E)	24	#4	14'-5"	
h <sub>11</sub> (E)	16	#4	14'-6"	
n <sub>2</sub> (E)	88	#10	7'-0"	
n <sub>3</sub> (E)	12	#8	5'-0"	
n <sub>4</sub> (E)	26	#6	12'-4"	
n <sub>5</sub> (E)	12	#6	6'-2"	
p <sub>5</sub> (E)	14	#9	54'-4"	
p <sub>7</sub> (E)	4	#7	54'-4"	
p <sub>8</sub> (E)	12	#7	14'-6"	
s <sub>5</sub> (E)	57	#5	16'-5"	
s <sub>6</sub> (E)	30	#4	9'-5"	
* s <sub>p16</sub>	2	#4	41'-1"	
* s <sub>p17</sub>	4	#4	50'-1"	
u <sub>5</sub> (E)	4	#6	8'-10"	
u <sub>6</sub> (E)	4	#6	8'-3"	
v <sub>15</sub> (E)	53	#5	3'-2"	
v <sub>16</sub> (E)	53	#4	4'-4"	
v <sub>17</sub> (E)	30	#6	8'-2"	
v <sub>18</sub> (E)	6	#6	7'-2"	
v <sub>19</sub> (E)	26	#6	7'-11"	
v <sub>24</sub> (E)	106	#4	5'-6"	
v <sub>27</sub>	88	#11	49'-9"	
v <sub>28</sub>	12	#8	40'-9"	
Structure Excavation			Cu. Yd.	109
Drilled Shaft in Soil 42" Dia.			Foot	137
Drilled Shaft in Rock 36" Dia.			Foot	64
Drilled Shaft in Soil 24" Dia.			Foot	69
Drilled Shaft in Rock 18" Dia.			Foot	14
Concrete Structures			Cu. Yd.	78.2
Reinforcement Bars, Epoxy Coated			Pound	10950
Reinforcement Bars			Pound	27300
Bar Splicer (E)			Each	53

Note:  
Hatched area to be poured after superstructure forms have been removed. Quantity of concrete included with Concrete Superstructure.

Reinforcement Bars designated (E) shall be epoxy coated.  
For details of Bar Splicers, see sheet 31 of 36.  
Space reinforcement to miss anchor bolts.  
\* Length is height of spiral.  
Cast steps monolithically with cap.

DESIGNED	KLH
CHECKED	EML
DRAWN	JGC
CHECKED	KLH



EAST ABUTMENT DETAILS - E.B. STRUCTURE  
ILLINOIS ROUTE 336 OVER  
EAST FORK OF THE LAMOINE RIVER  
F.A.P. ROUTE 315 - SECTION 34-6, 55-1  
HANCOCK COUNTY; STA. 1432+02.61  
STRUCTURE NO. 034-0511 (E.B.)  
STRUCTURE NO. 034-0512 (W.B.)