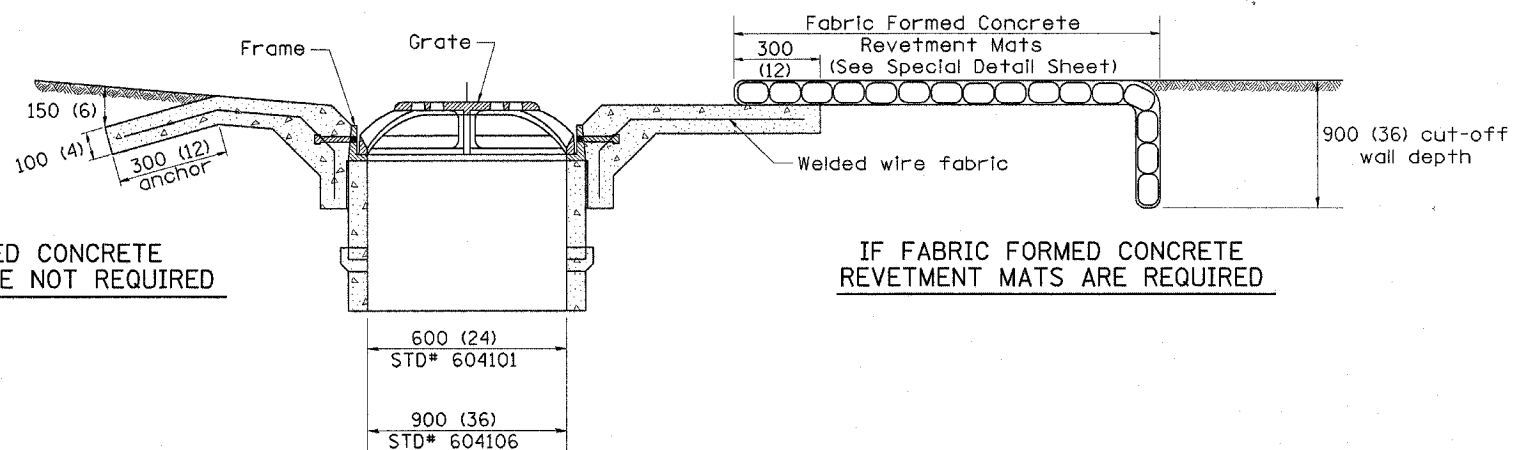


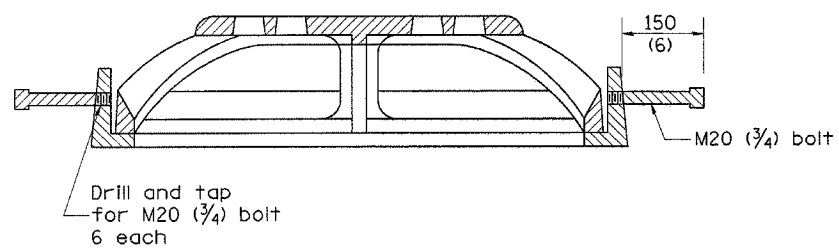
PLAN
(STD# 604101 & 604106)



IF FABRIC FORMED CONCRETE REVETMENT MATS ARE NOT REQUIRED

IF FABRIC FORMED CONCRETE REVETMENT MATS ARE REQUIRED

SECTION B-B
(STD# 604101 & 604106)



SECTION A-A
(STD# 604101 & 604106)

GENERAL NOTES

- The applicable portions of Highway Standards 604101 and/or 604106 shall apply, except as noted herein.

All dimensions are in millimeters (Inches) unless otherwise noted.

ILLINOIS DEPARTMENT OF TRANSPORTATION
DISTRICT CADD STANDARD

DATE	REVISIONS	BY
1-1-97	RENUM. B-4.09, NEW REVISION BOX, REVISED DESIGNER NOTES.	T.P.

MEDIAN INLET (604101), SPECIAL AND
MEDIAN INLET (604106), SPECIAL
CADD STANDARD 604101-D4
SCALE NOT TO SCALE
DATE 7/18/2006
DRAWN BY CADD
CHECKED BY

Designer Notes: 1. This is to be used to supplement Standard 604101 and/or 604106
2. If fabric formed concrete revetment mats are used, include District CADD drawing.
3. Include District Special Provision.
7/18/2006