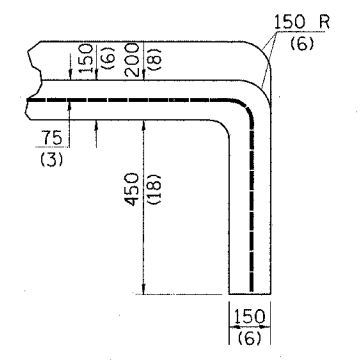
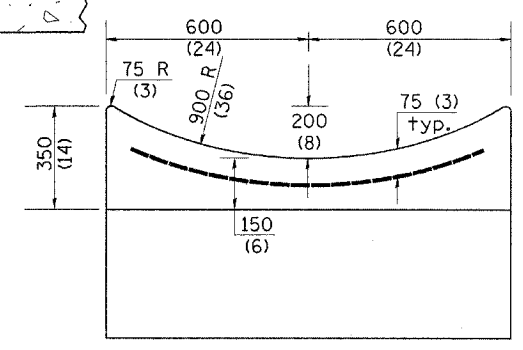
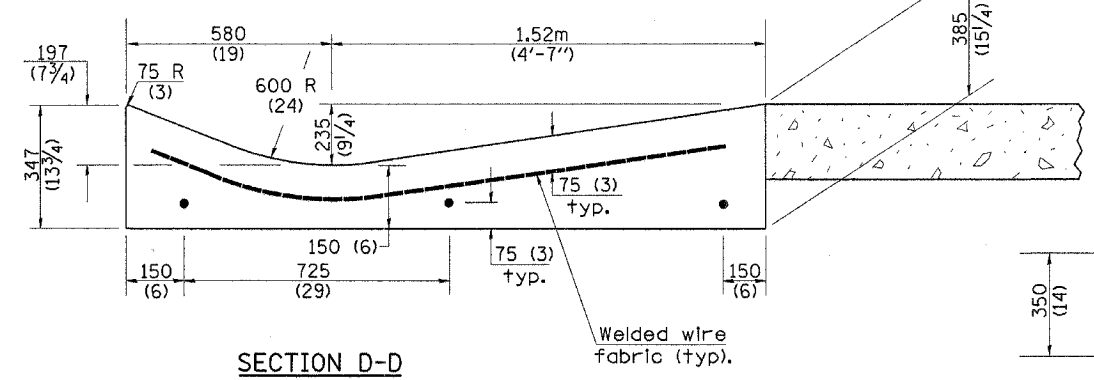


QUANTITY
 Section A-A to E-E= m³ (cu. yd.) concrete.
 Section F-F= m³/m (cu. yd./ft.) concrete.

If the average grade of pavement for the distance from section A-A to section D-D exceeds 2%, this distance shall be increased 1.8 m (6 ft.) for each 1% increase in grade. A quantity adjustment is required.



QUANTITY
 Curtain Wall
 m³ (cu. yd.) concrete.

QUANTITIES
 CALC. BY: _____ DATE: _____
 CHECKED BY: _____ DATE: _____
 QUANTITY CALCULATIONS ARE ON FILE AT THE DISTRICT 4 OFFICE; BUREAU OF PROJECT IMPLEMENTATION; DOCUMENTATION SECTION

All dimensions are in millimeters (Inches) unless otherwise noted.

ILLINOIS DEPARTMENT OF TRANSPORTATION
 DISTRICT CADD STANDARD
 TYPE A GUTTER, (MODIFIED)
 (INLET, OUTLET & ENTRANCE)
 CADD STANDARD 606101-D4 SHEET 2 OF 3
 SCALE: NOT DRAWN TO SCALE DRAWN BY CADD
 DATE 7/18/2006 CHECKED BY _____

7/18/2006