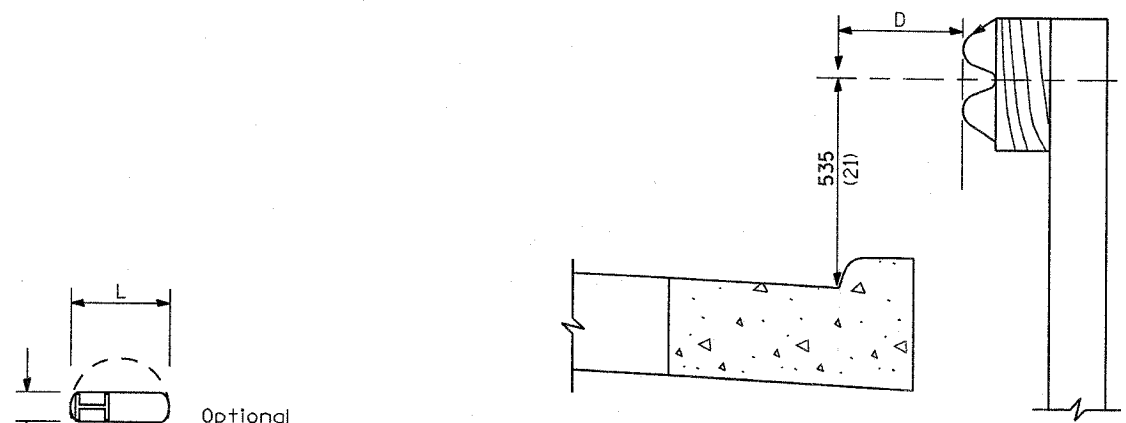


F.A. RTE.	SECTION	COUNTY	TOTAL SHEETS	SHEET NO.
			60	60
FED. ROAD DIST. NO.		ILLINOIS FED. AID PROJECT		



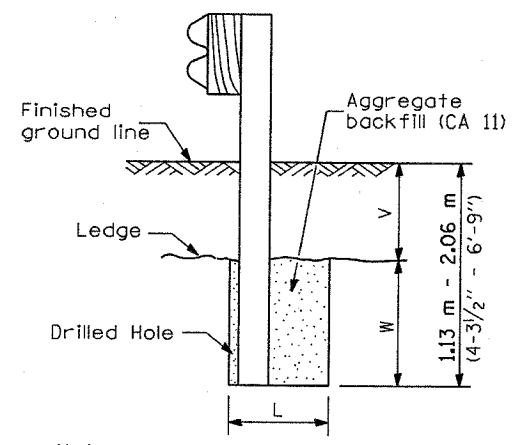
Optional round hole
 203 (8) min. (Steel post)
 250 (10) min. (Wood post)

PLAN

Note:
 If it is necessary for D to be more than 300 (12) and less than 3.0 m (10'-0") type M-5 (M-2) curb and gutter (Std. 606001) shall be used in front of and in advance of the guardrail.

GUARDRAIL PLACED BEHIND CURB

(D = 0 desirable to 300 (12) maximum)

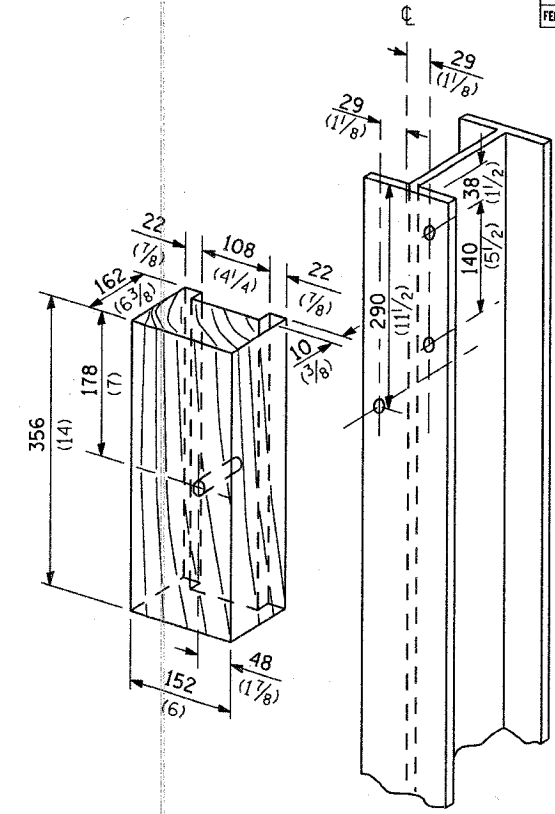


Note:
 Ledge line is top of rock ledge or hard slag fill.

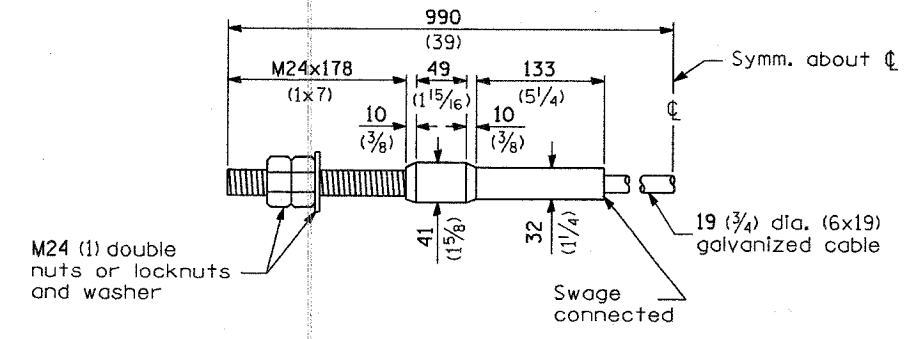
ELEVATION

FOOTING FOR POST WHEN IMPERVIOUS MATERIAL IS ENCOUNTERED

V	W	L	
		Steel Post	Wood Post
0 - 460 (0 - 18)	610 (24)	530 (21)	580 (23)
>460 - 825 (>18 - 41.5)	305 (12)	203 (8)	250 (10)
>825 - 1.13 m (>41.5 - 53.5)	305 - 0 (12 - 0)	203 (8)	250 (10)



WOOD BLOCK-OUT AND STEEL POST DETAILS



CABLE ASSEMBLY

(18,100 kg (40,000 lbs.) min. breaking strength)
 Tighten to taut tension.

REMOVE AND REERECT STEEL PLATE BEAM GUARDRAIL
 (Sheet 4 of 4)

DETAIL