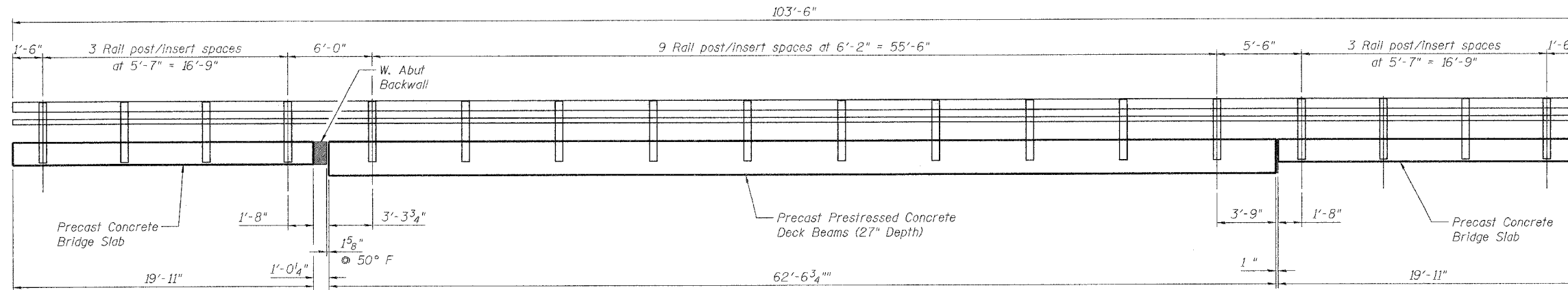



STATE OF ILLINOIS
DEPARTMENT OF TRANSPORTATION

ROUTE NO.	SECTION	COUNTY	SHEET NO.	SHEET	SHEET NO. 8 14 SHEETS
F.A.P. 693	(119B-3)I	TAZEWELL	31	17	
FED. ROAD DIST. NO. 7	ILLINOIS	FED. AID PROJECT-			

Contract #68415



RAIL POST SPACING
(Looking North)

DESIGNED <i>BWP</i>	THOUVENOT, WADE & MOERCHEN, INC. ENGINEERS • SURVEYORS • PLANNERS  CORPORATE OFFICE 4510 OLD COLLEGEVILLE RD. SPRINGFIELD, ILLINOIS 62226 TEL: (618) 624-4499 FAX: (618) 624-6088 E-MAIL: ocorp@twm-llc.com
CHECKED <i>KPC</i>	
DRAWN <i>BWP</i>	
CHECKED <i>KPC</i>	

BRIDGE RAIL DETAILS
ILLINOIS ROUTE 9 OVER
PRAIRIE CREEK
F.A.P. ROUTE 693 SECTION (119B-3)I
TAZEWELL COUNTY
SN 090-0061