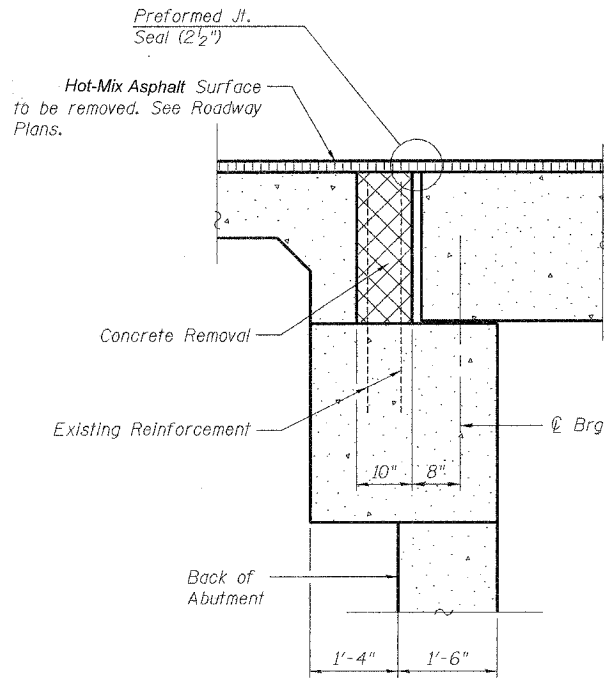


STATE OF ILLINOIS
DEPARTMENT OF TRANSPORTATION

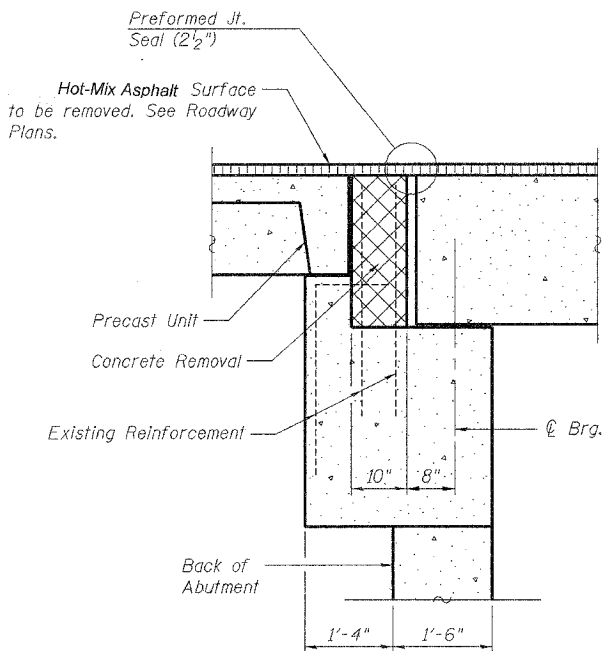
ROUTE NO.	SECTION	COUNTY	SHEET NO.	SHEET NO.
F.A.P. 693	119-BR-3	TAZEWELL	31	19
FED. ROAD DIST. NO. 7		ILLINOIS	FED. AID PROJECT	

Contract #68415

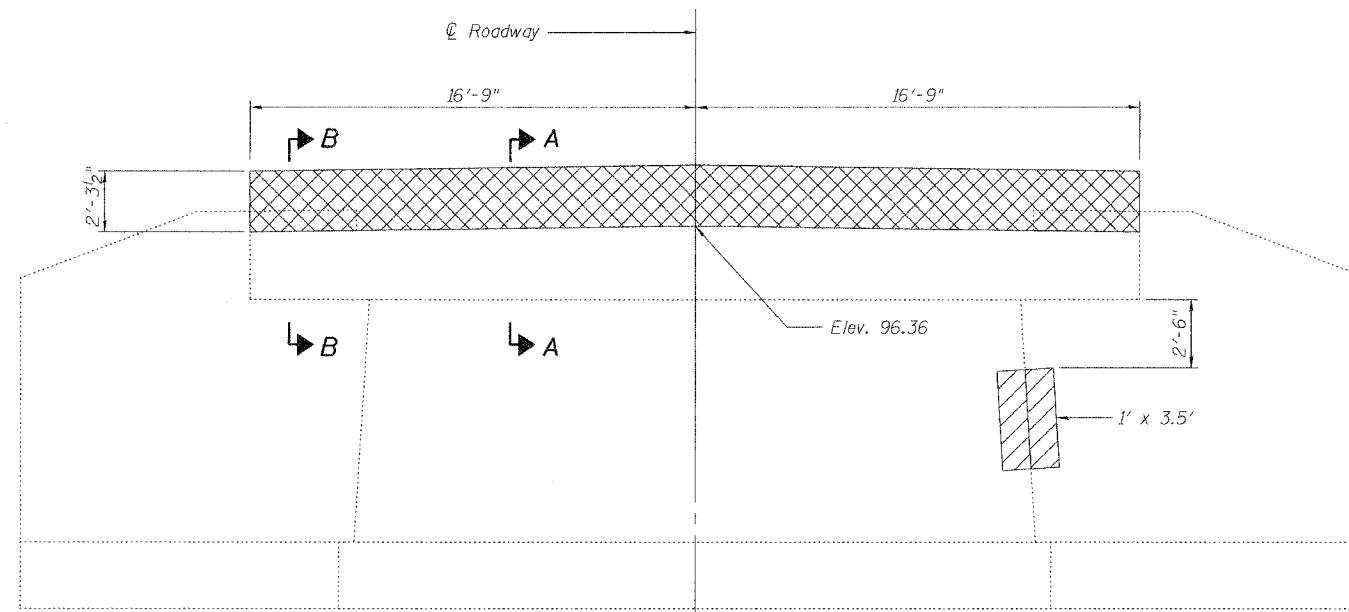
Notes:
Existing reinforcement extending into removal areas shall be cleaned, straightened, and incorporated into new construction. Cost included with Concrete Removal.



SECTION A-A



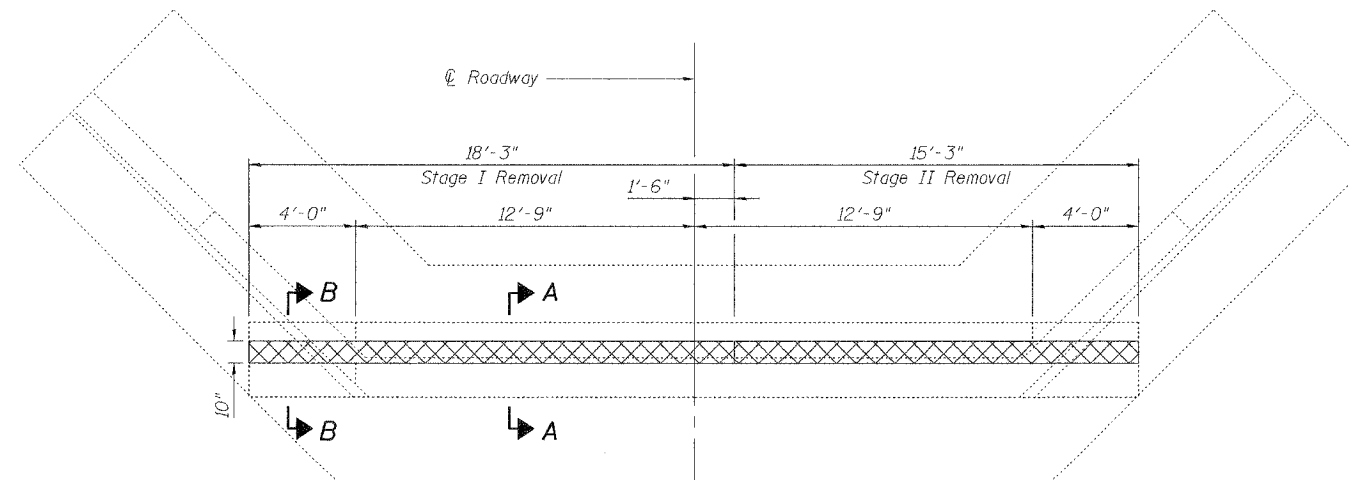
SECTION B-B



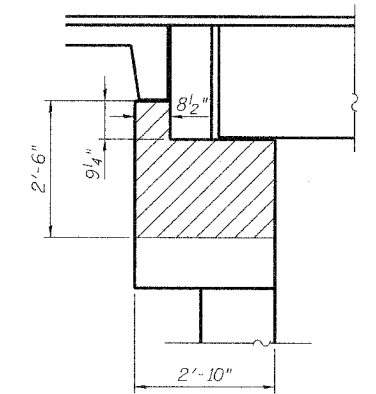
Elevation-West Abutment
(LOOKING WEST)

LEGEND

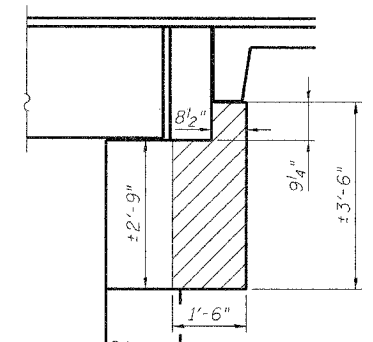
- Concrete Removal
- Structural Repair of Concrete



Plan-West Abutment



ELEVATION-WEST ABUTMENT CAP
(LOOKING NORTH)



ELEVATION-WEST ABUTMENT CAP
(LOOKING SOUTH)

BILL OF MATERIAL

ITEM	UNIT	TOTAL
Concrete Removal	Cu. Yd.	2.4
Structural Repair of Concrete (Depth Equal to or Less Than 5')	Sq. Ft.	13.6

WEST ABUTMENT
CONCRETE REMOVAL AND REPAIR
ILLINOIS ROUTE 9 OVER
PRAIRIE CREEK
F.A.P. ROUTE 693 SECTION (119B-3)I
TAZEWELL COUNTY
SN 090-0061

DESIGNED BWP	THOUVENOT, WADE & MOERCHEN, INC. ENGINEERS • SURVEYORS • PLANNERS CORPORATE OFFICE 3940 OLD COLLINGSVILLE RD. SPRINGFIELD, ILLINOIS 62226 TEL: (618) 624-6468 FAX: (618) 624-6688 E-MAIL: CORP@TWM-INC.COM
CHECKED KPC	
DRAWN BWP	
CHECKED KPC	