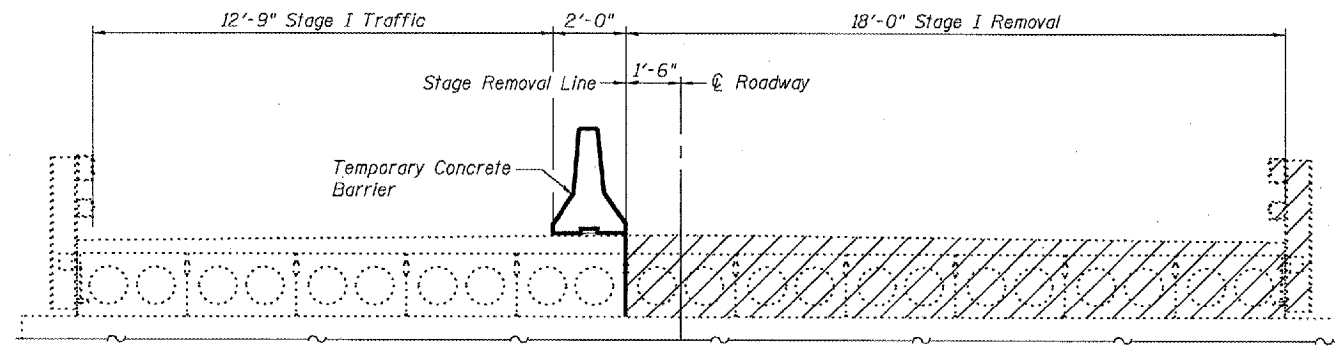


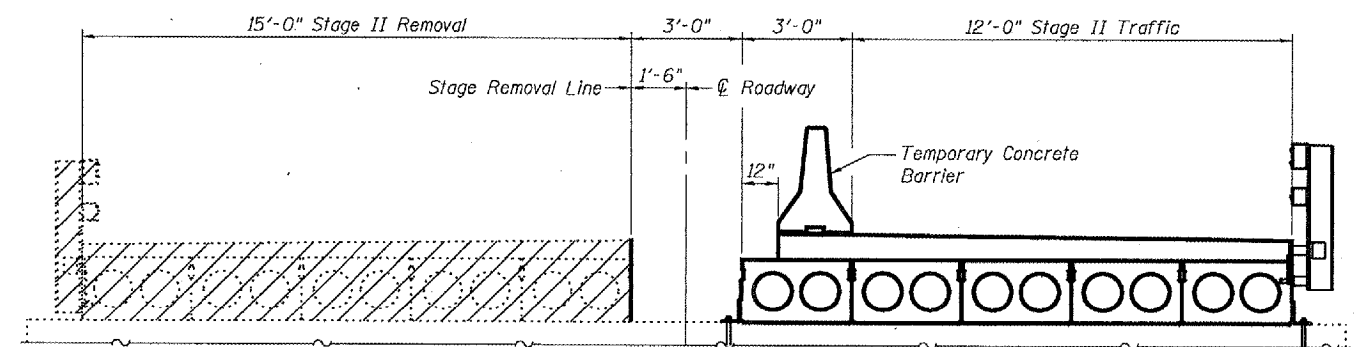
STATE OF ILLINOIS
DEPARTMENT OF TRANSPORTATION

ROUTE NO.	SECTION	COUNTY	TOTAL SHEETS	SHEET NO.	SHEET NO. 2 10 SHEETS
		Tazewell	29	13	
FED. ROAD DIST. NO. 7	ILLINOIS	FED. AID PROJECT			

Contract Number: 68484

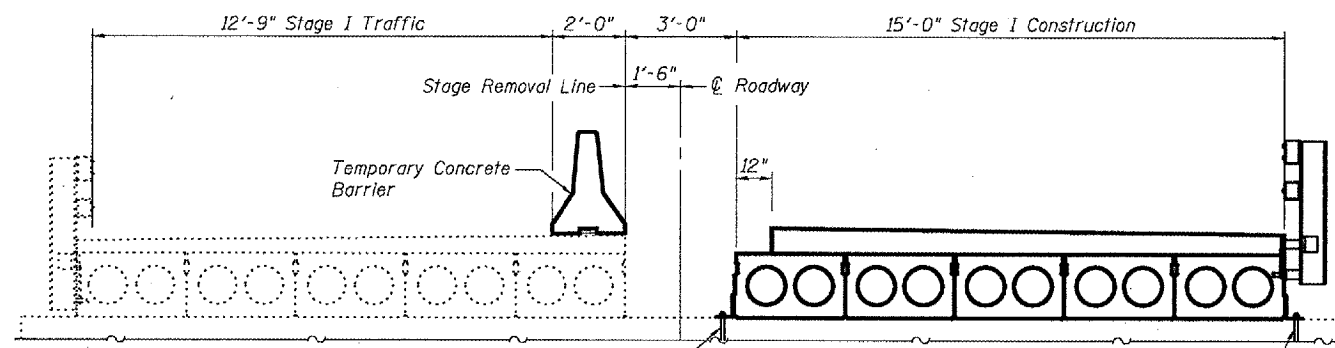


STAGE I REMOVAL

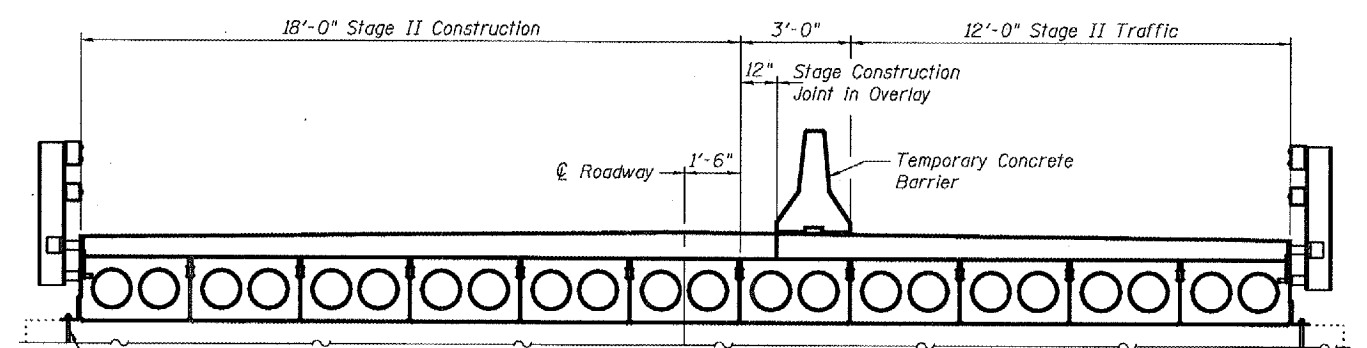


STAGE II REMOVAL

Notes:
All cross-sections are looking East.
Cross Hatched area indicates Removal
of Existing Superstructure.
For Temporary Concrete Barrier Details
see sheet 9 of 10.



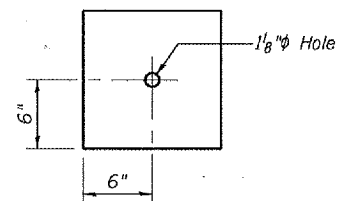
STAGE I CONSTRUCTION



STAGE II CONSTRUCTION

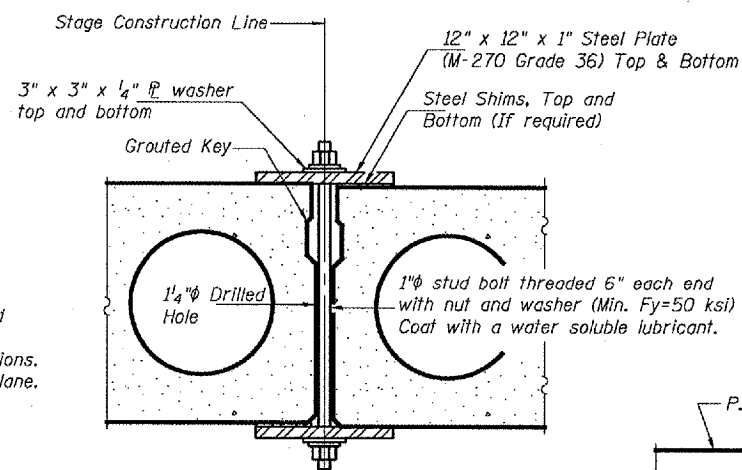
Temporary side retainer at Pier only. Remove angle and burn off anchor bolt flush with cap, grind smooth, and seal with epoxy prior to placement of Stage II PPC Deck beam.

Permanent side retainer at Pier only.

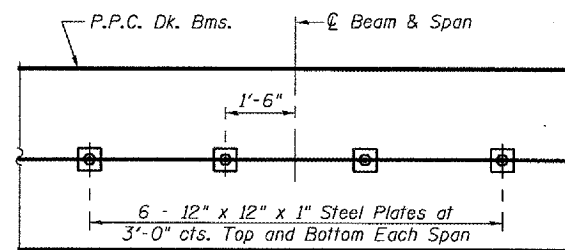


CLAMPING PLATE

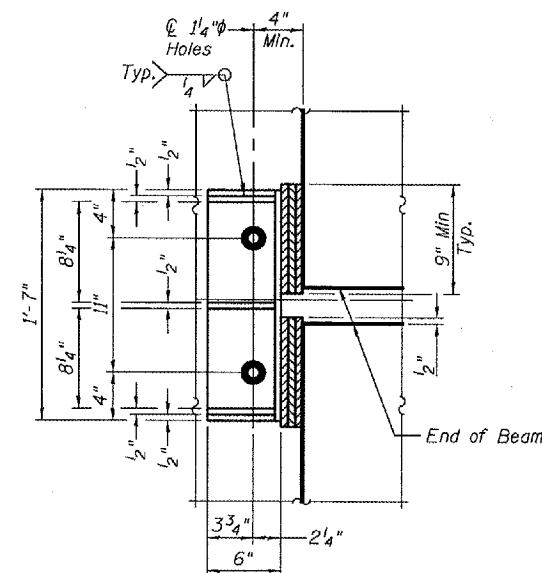
Notes:
Stage construction of Precast Prestressed Concrete Deck Beams shall be according to Article 504.06(d) of the Standard Specifications. See Stage Construction Detail for traffic lane. Cost is included with Precast Prestressed Concrete Deck Beams.



SECTION AT STAGE CONSTRUCTION LINE

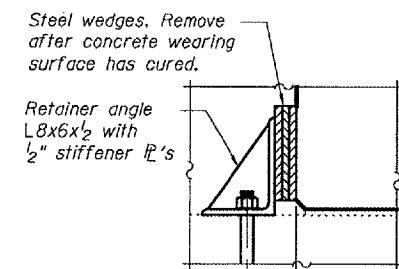


PLAN AT STAGE CONSTRUCTION LINE



RETAINER ANGLE PLAN

The permanent retainers and hardware shall be galvanized after shop fabrication according to AASHTO M 111 and ASTM 385.



*@ 1" x 12" galv. anchor bolt with 2 1/2" x 2 1/2" x 5/16" washer under nut.

RETAINER ANGLE ELEVATION

*Anchor bolts or approved threaded rod may be placed in drilled holes and grouted in place. Cost of retainer, accessories, and galvanizing are included with Precast Prestressed Concrete Deck Beams.

STAGE CONSTRUCTION DETAILS
IL 122 / SUGAR CREEK
TAZEWELL COUNTY
SN 090-0058

DESIGNED	P.S.J.
CHECKED	S.J.B.
DRAWN	Drew Christopher
CHECKED	P.S.J. S.J.B.

December 8, 2006	
EXAMINED	John A. Morris ENGINEER OF STRUCTURAL SERVICES
PASSED	Walsh E. Anderson ENGINEER OF BRIDGES AND STRUCTURES