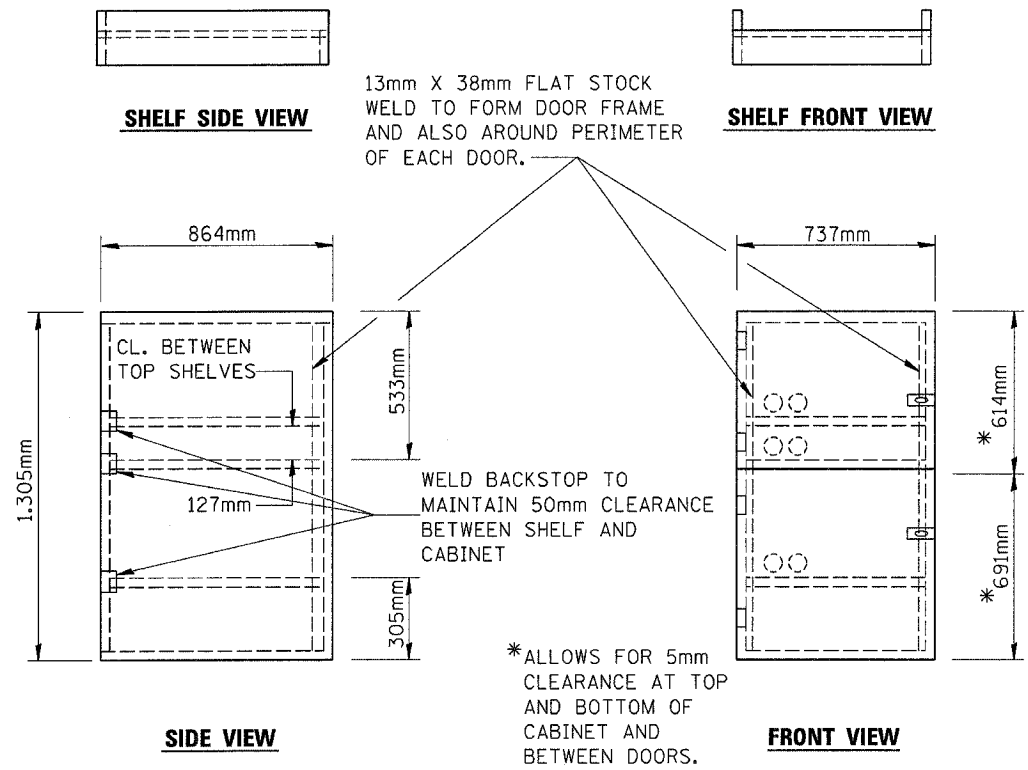
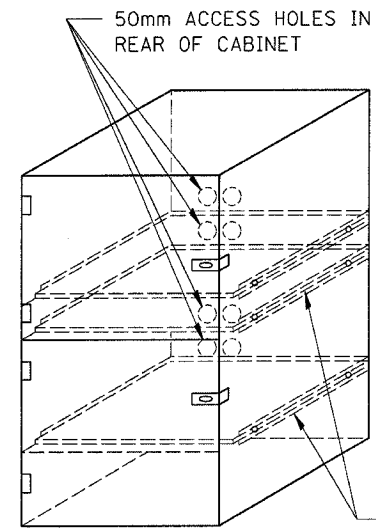


F.A.P. RTE.	SECTION	COUNTY	TOTAL SHEETS	SHEET NO.
619	(120) BR-1	PUTNAM	28	24
STA.		TO STA.		
FED. ROAD DIST. NO.		ILLINOIS FED. AID PROJECT		



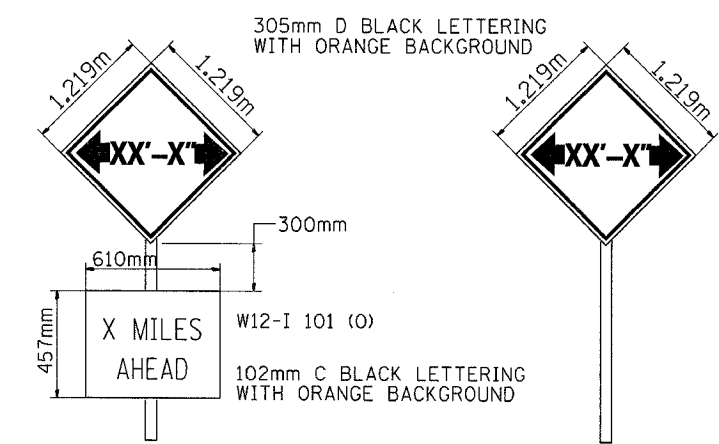
- NOTES:
1. USE 16 GAUGE STEEL FOR CABINET.
  2. THE TOP SHELF SHALL SLIDE IN OR OUT WITH THE TOP DOOR OPEN.
  3. ALL HINGES AND HASPS WILL BE WELDED TO THE CABINET.
  4. ALL EDGES SHALL BE GROUND SMOOTH.
  5. TWO (50mm DIA.) ACCESS HOLES WILL BE REQUIRED FOR EACH SHELF.
  6. CABINET SHALL BE PAINTED WITH TWO COATS OF FLAT PAINT.
  7. 2 EACH MATCHING KEY PADLOCKS, WITH 3 KEYS PROVIDED, MASTER MODEL 3 T OR EQUIVALENT.
  8. 4 EACH PLAIN STEEL, NON-REMOVABLE PIN, NO HOLE 100mmX100mm SQUARE CORNER HINGES TO BE WELDED ON.
  9. 2 EACH EXTRA HEAVY, PLAIN STEEL, FIXED STAPLE, NO HOLE, 180mm HASPS TO BE WELDED ON.



FLAT STOCK DIMENSIONS VARY DEPENDING ON TYPE OF ROLLER ASSEMBLY.

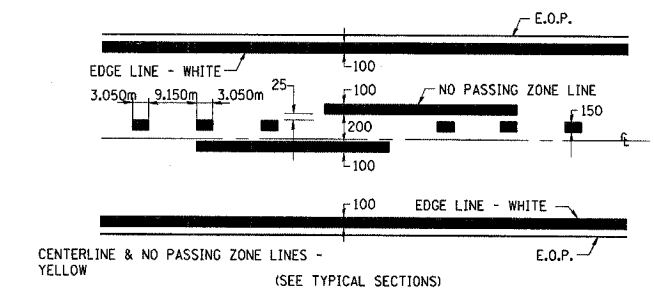
**LOCKABLE COMPUTER CABINET**

670-1



TO BE POST MOUNTED AS SHOWN ELSEWHERE IN THE PLANS. THE CONTRACTOR SHALL NOTIFY DISTRICT 3 BUREAU OF OPERATIONS 14 CALENDAR DAYS PRIOR TO INSTALLING ANY TRAFFIC CONTROL DEVICES THAT WILL RESTRICT THE PAVEMENT WIDTH.

**WIDTH RESTRICTION SIGNING DETAILS 702-5**



**PAVEMENT MARKING**

780-8

ALL DIMENSIONS ARE IN MILLIMETERS UNLESS OTHERWISE SHOWN.

REVISIONS		ILLINOIS DEPARTMENT OF TRANSPORTATION
NAME	DATE	
		<b>CONSTRUCTION DETAILS</b>

DATE \_\_\_\_\_ DRAWN BY \_\_\_\_\_ CHECKED BY \_\_\_\_\_

OCT. 1996  
IDETA1LS1 200299.DGN  
251-1, 251-2, 251-3, 251-4