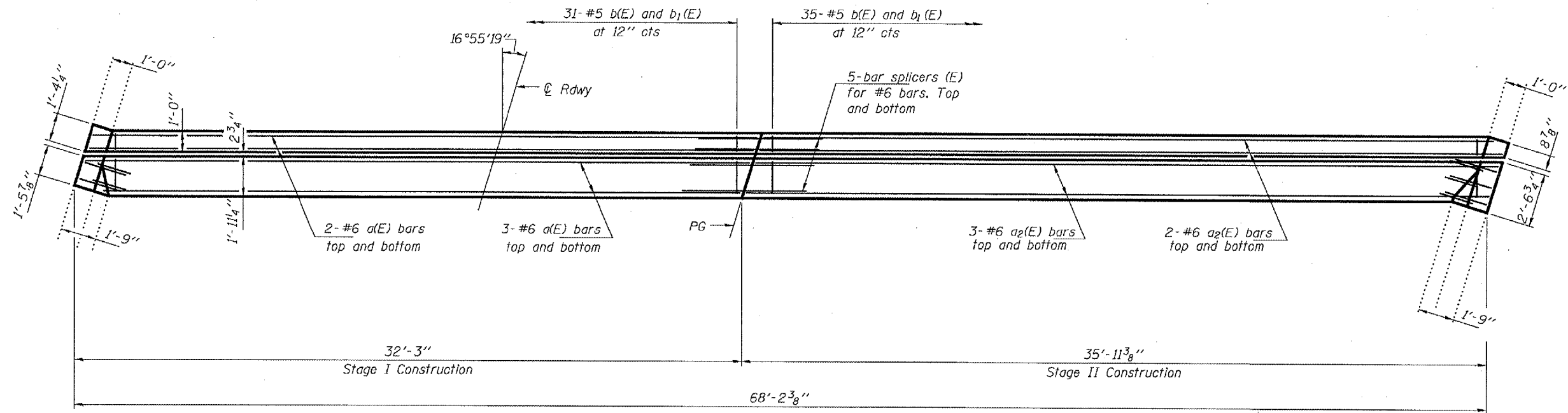
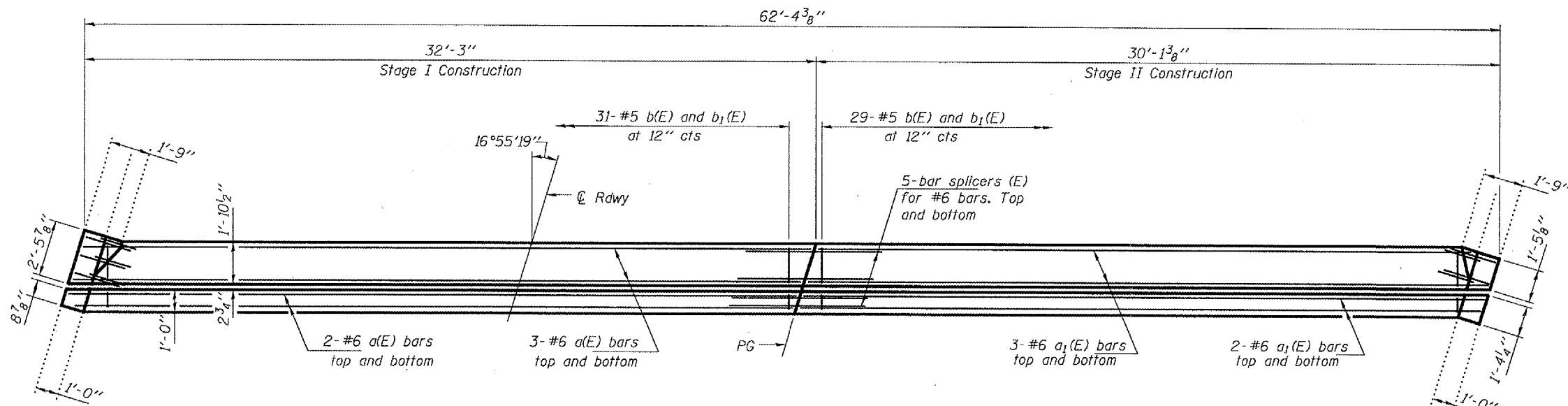


F.o.I. Rte.	Section	County	Total Sheets	Sheet No.
474	(72-2hbl)	Peoria	26	21
Sta. 56+57.18		To sta. 58+86.79		
Fed. road dist. no. 4		Illinois	Fed. aid project	



PLAN VIEW
(North Abutment)



PLAN VIEW
(South Abutment)

NOTE
Reinforcement bars designated (E)
shall be epoxy coated.

REPLACEMENT DETAILS
(SN 072-0113 W.B.)

BILL OF MATERIAL

ITEM	UNIT	TOTAL
Concrete Superstructure	Cu. Yd.	17.2
Concrete Removal	Cu. Yd.	17.2
Bar Splicers	Each	20

For details of bar splicers, see sheet 26 of 26.

Revisions	
Name	Date

SN072-0113 W.B.
I-474 over IL. 8

Illinois department of transportation
**JOINT CONCRETE
REPLACEMENT**

Scale: Vert.
Hartz.
Date 07-19-2006

Drawn by CEJ
Checked by

Plot date
File name
Plot scale
Reference