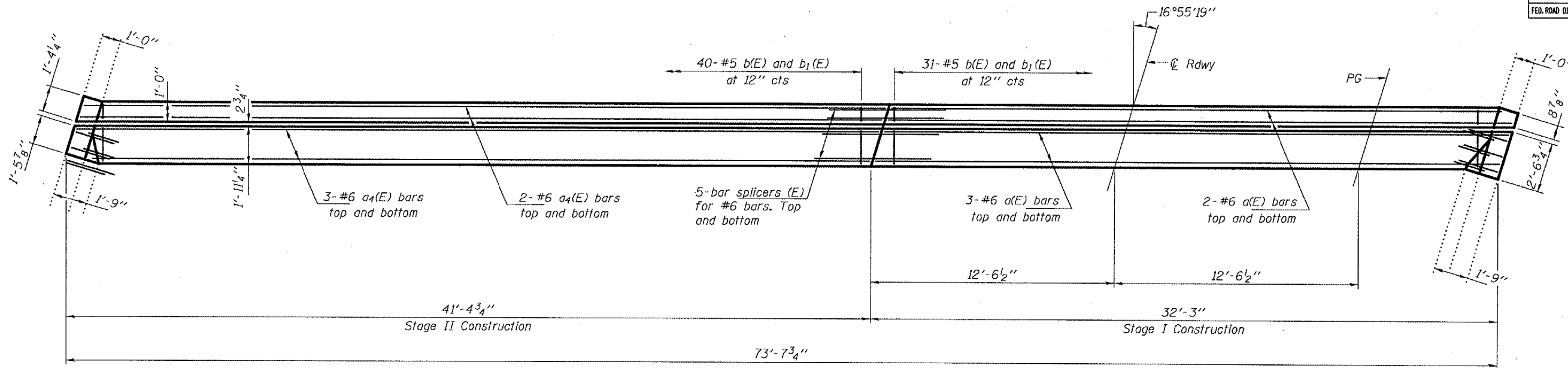
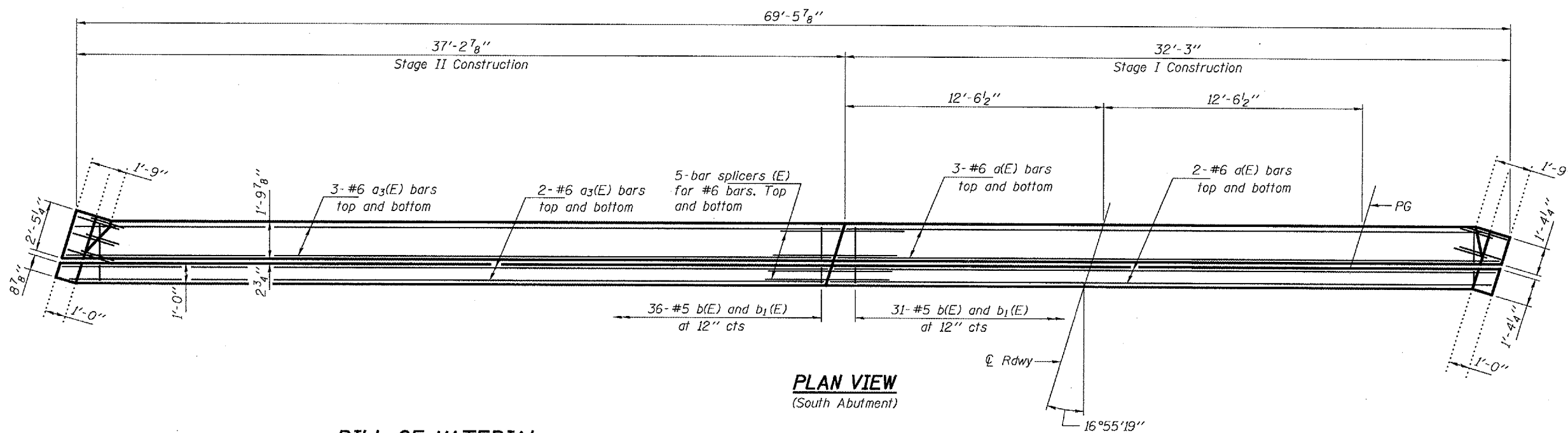


F.A.I. RTE.	SECTION	COUNTY	TOTAL SHEETS	SHEET NO.
474	(72-2HB)	PEORIA	26	22
STA. 56+57.18		TO STA. 58+86.79		
FED. ROAD DIST. NO. 4		ILLINOIS FED. AID PROJECT		



PLAN VIEW
(North Abutment)

NOTE
Reinforcement bars designated (E)
shall be epoxy coated.



PLAN VIEW
(South Abutment)

BILL OF MATERIAL

ITEM	UNIT	TOTAL
Concrete Superstructure	Cu. Yd.	19.0
Concrete Removal	Cu. Yd.	19.0
Bar Splicers	Each	20

For details of bar splicers, see sheet 26 of 26.

REPLACEMENT DETAILS

(SN 072-0112 E.B.)

REVISIONS	
NAME	DATE

ILLINOIS DEPARTMENT OF TRANSPORTATION

JOINT CONCRETE REPLACEMENT

SCALE: VERT. HORIZ. DATE: 07-20-2006

SN072-0112 E.B.
I-474 over IL. 8

DRAWN BY CEJ
CHECKED BY

PLOT DATE = 07/20/06
FILE NAME = 0720112E.B.
PLOT SCALE = AS SHOWN
REFERENCE = REF.