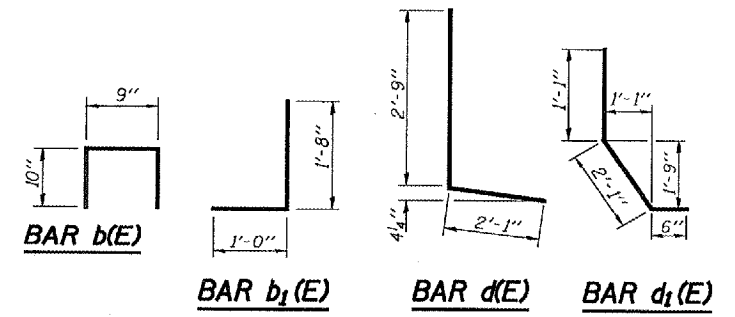
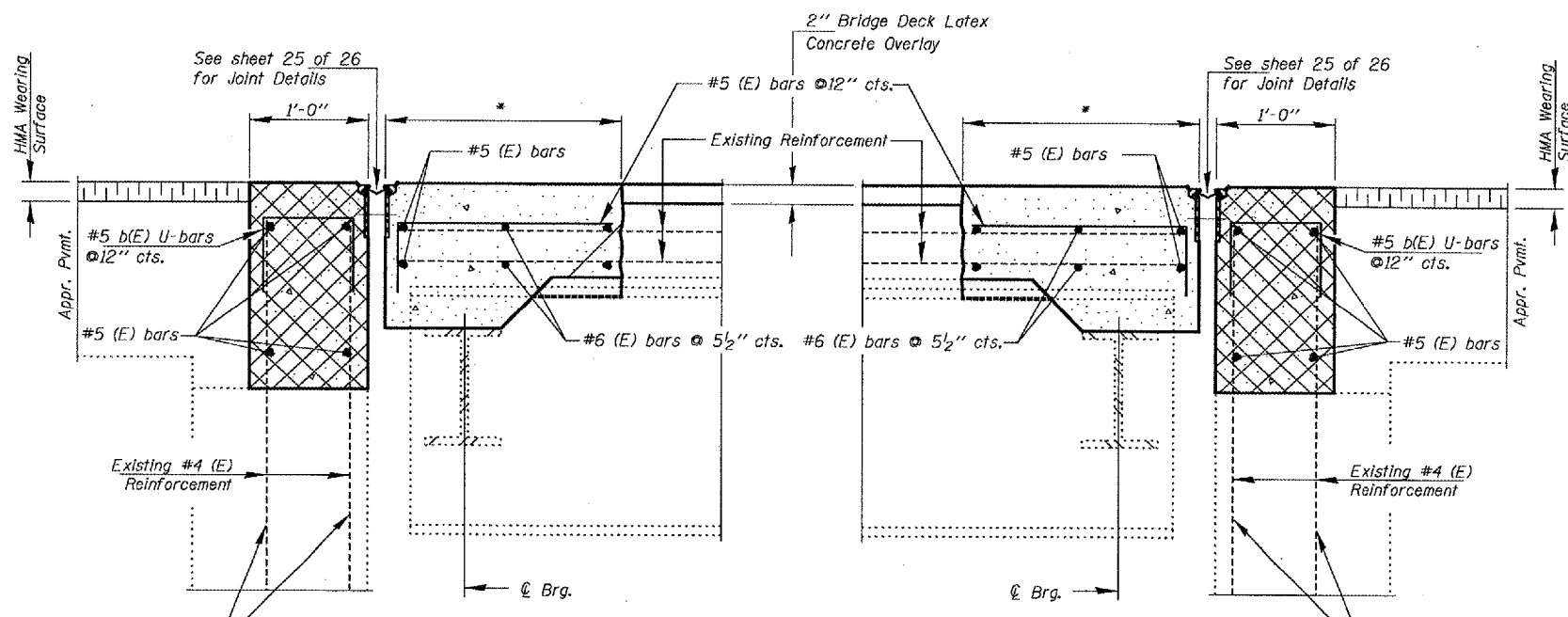
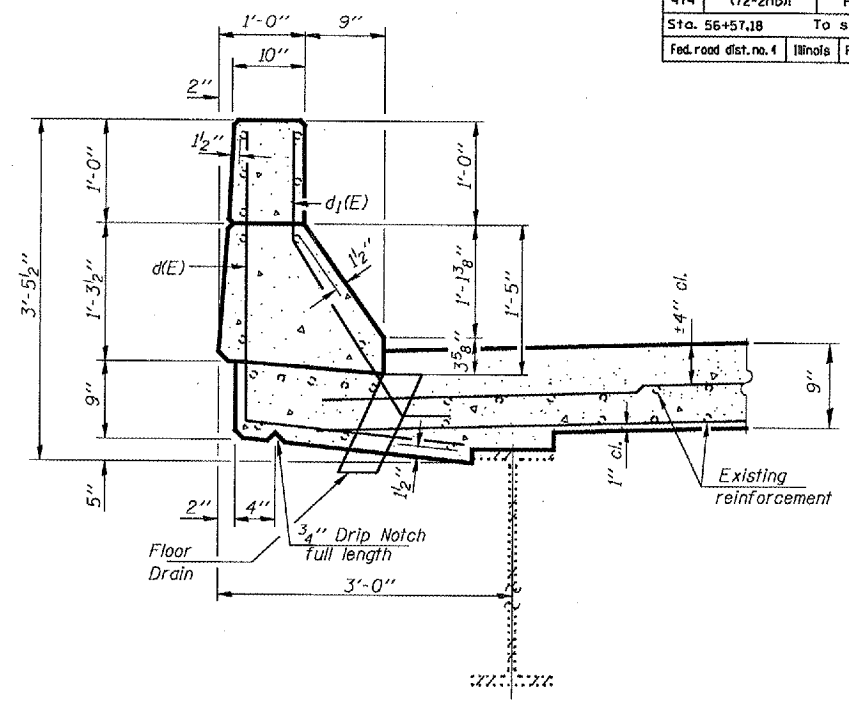
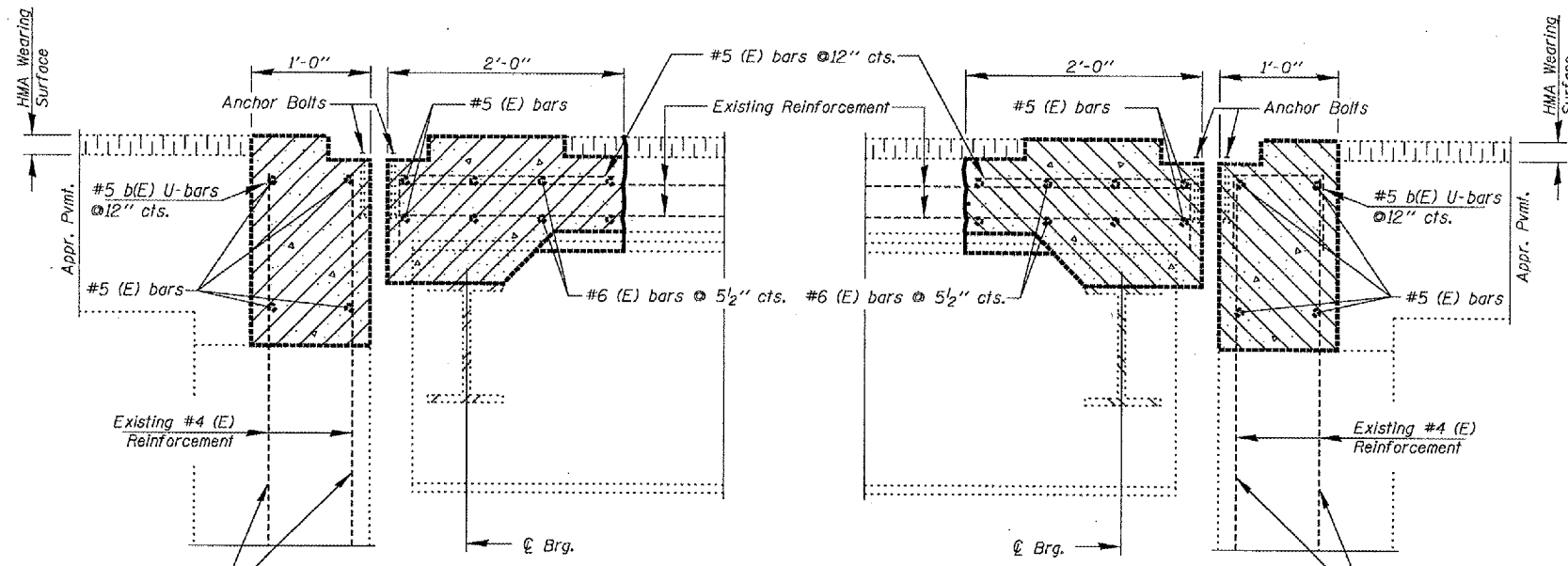


F.o.I. Rtn.	Section	County	Total Sheets	Sheet No.
474	(72-2b)I	Peoria	26	24
Sta. 56+57.18		To sta. 58+86.79		
Fed. road dist. no. 4		Illinois Fed. aid project		



**NOTE**  
 Hatched areas indicate concrete removal.  
 Quantity of HMA surface and waterproofing removal included with Concrete Removal.  
 Existing reinforcement & threaded rods to be cleaned, straightened, and incorporated into new construction. Cost included with concrete removal.  
 Cross hatched area to be poured after superstructure concrete is in place. Concrete quantity is included with Concrete Superstructure.  
 Reinforcement bar quantity in cross hatched area is included on sheet 23 of 26.  
 Reinforcement bars designated (E) shall be epoxy coated.

\* See sheets 21 & 22 of 26 for dimensions.

Plot date = 12/7/06  
 File name = 0112&113.dgn  
 Plot scale = 1/8"=1'-0"  
 Reference = 24

Revisions	
Name	Date

Illinois department of transportation

**JOINT RECONSTRUCTION DETAIL**

Scale: Vert. 1"=1'-0"  
 Horiz. 1"=10'-0"  
 Date 06-05-2006

Drawn by CEJ  
 Checked by