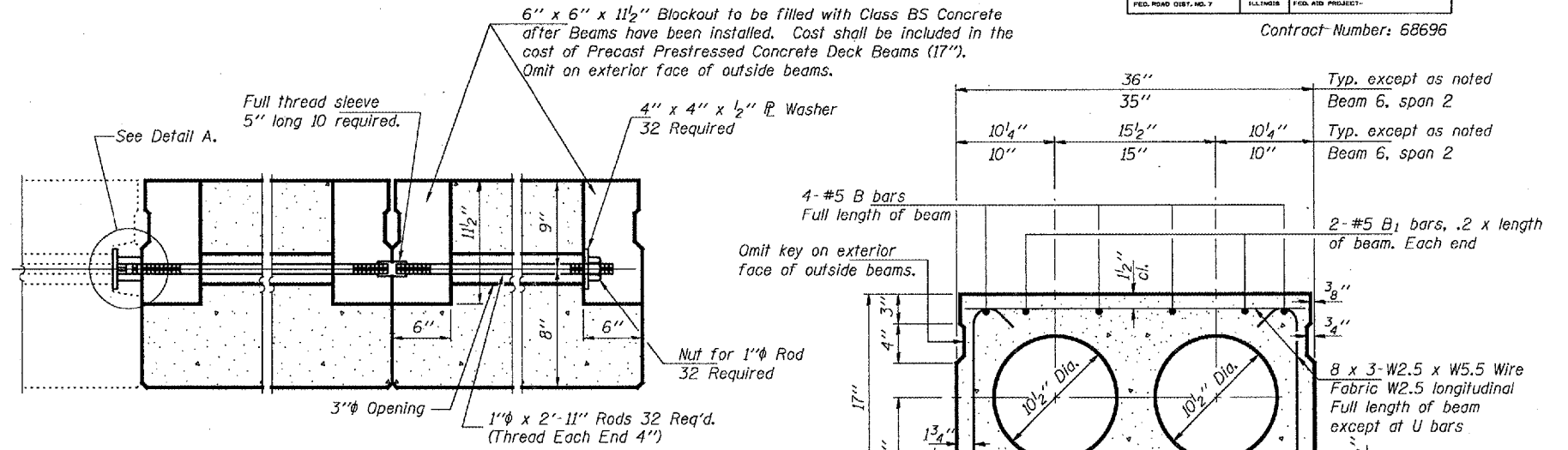
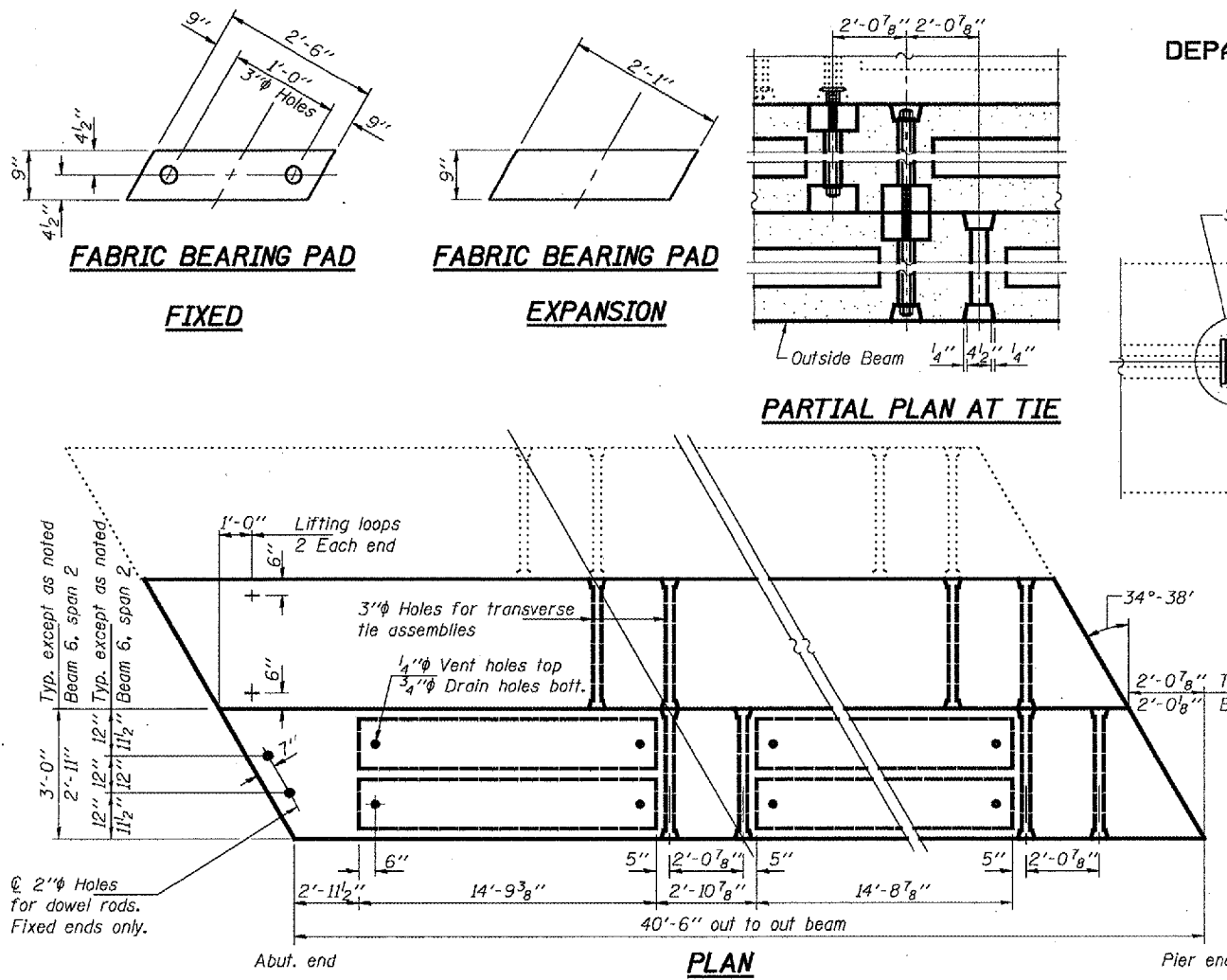


STATE OF ILLINOIS
DEPARTMENT OF TRANSPORTATION

ROUTE NO.	SECTION	COUNTY	TOTAL SHEETS	SHEET NO.
FA 645		MARSHALL	97	2
FED. ROAD DIST. NO. 7	ILLINOIS	FED. AID PROJECT-		4 SHEETS

Contract Number: 68696



TYPICAL TRANSVERSE TIE ASSEMBLY

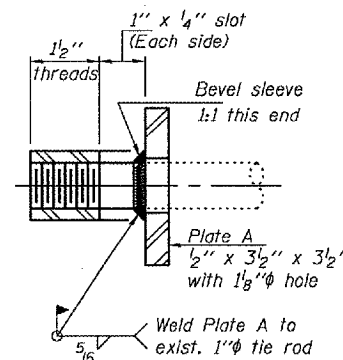
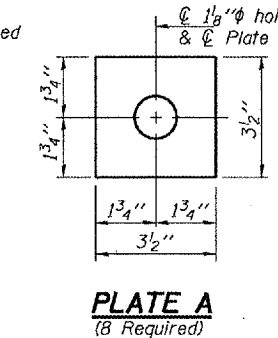
TYPICAL SECTION

1/2" Strands, Each Strand Stressed to 30,900 Lbs.
10-Strands 1 3/4" up & 2-Strands 12" up

* TRANSVERSE PLACEMENT GUIDELINES

1. Place strands symmetrically about centerline of beam.
2. The minimum distance from center to center of strands in all directions shall be 2".
3. The minimum clearance from strand to dowel hole shall be 1/2".
4. The minimum clearance from strand to void shall be 1/2".

Vertical placement of strands shall not be adjusted to satisfy the above guidelines.



NOTES

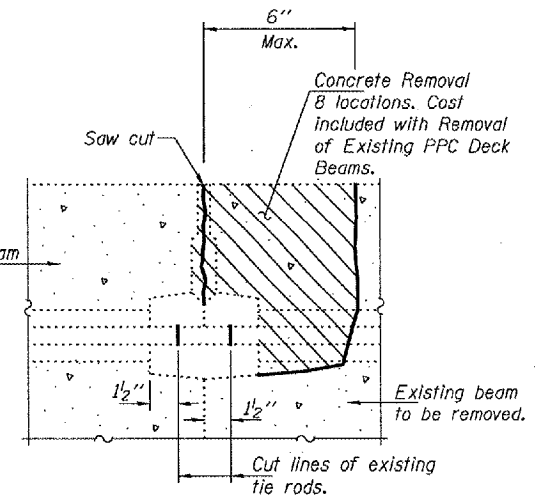
DETAIL A

Prestressing steel shall be uncoated high strength, low relaxation 7-wire strand, Grade 270. The nominal diameter shall be 1/2" and the nominal cross-sectional area shall be 0.153 sq. in. Lifting loops shall be 2'-2" of 270 ksi strands, as shown. The 1" rods in the transverse tie assembly shall be tightened to a snug fit and the threads set. Pockets that receive transverse tie bar on outside shall be filled with grout after transverse tie assembly is in place.

The bearing seat surfaces shall be adjusted by shimming to assure firm and even bearing. Two 1/8" fabric adjusting shims of the dimensions shown shall be provided for each bearing.

Keyway surfaces shall be cleaned to remove form oil or other bond breaking material prior to shipment of the beams. Cleaning shall be done by sandblasting the keyway areas between top of the beam and the bottom edge of the key.

Corrosion Inhibitor, according to Articles 1020.15(b)(12) and 1021.06 of the Standard Specifications, shall be used in the concrete for precast prestressed concrete deck beams. Required Release Strength, f'ci, shall be 4000 p.s.i.

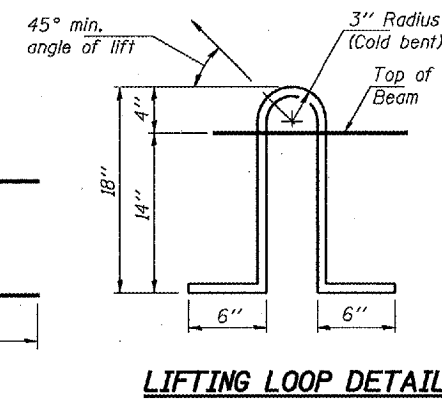
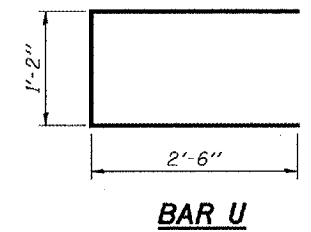
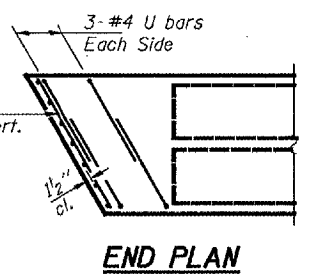
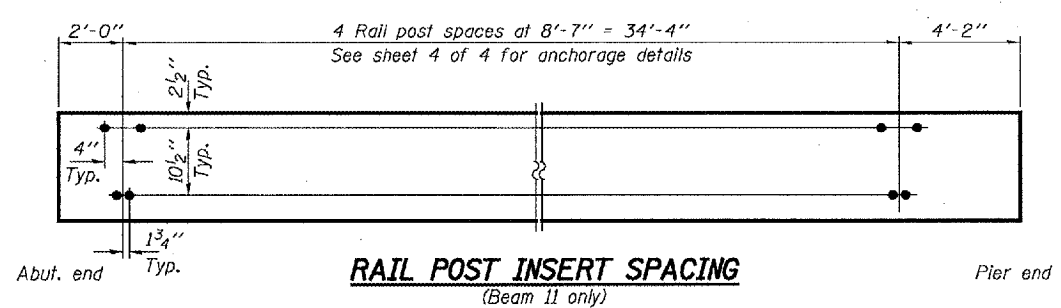


BEAM REMOVAL DETAIL AT TRANSVERSE TIES

BILL OF MATERIAL

Precast Prestressed Conc. Deck Bms. (17" Depth)	Sq. Ft.	1091
-------------------------------------------------	---------	------

BRIDGE REPAIRS
FA 645 OVER SENACHWINE CREEK
MARSHALL COUNTY
SN 062-0016



DESIGNED	VHV
CHECKED	SJB
DRAWN	baliva
CHECKED	VHV SJB

December 4, 2006
EXAMINED John A. Morris
PASSED Ralph E. Anderson
ENGINEER OF BRIDGES AND STRUCTURES