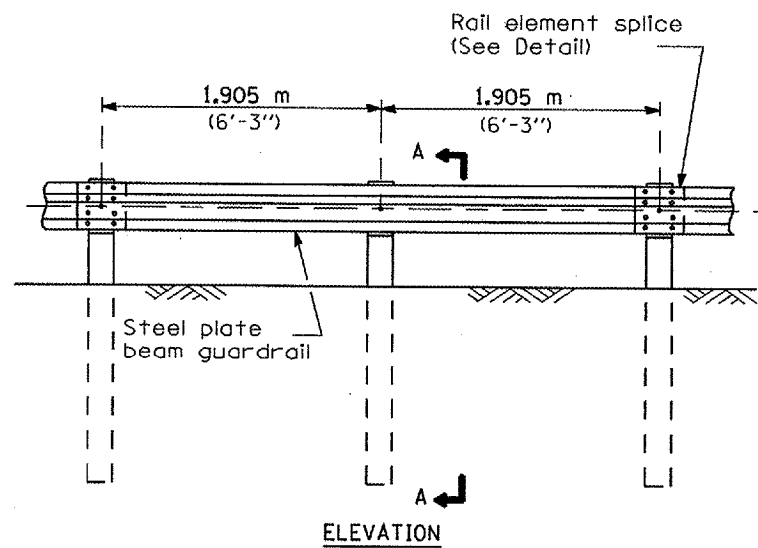


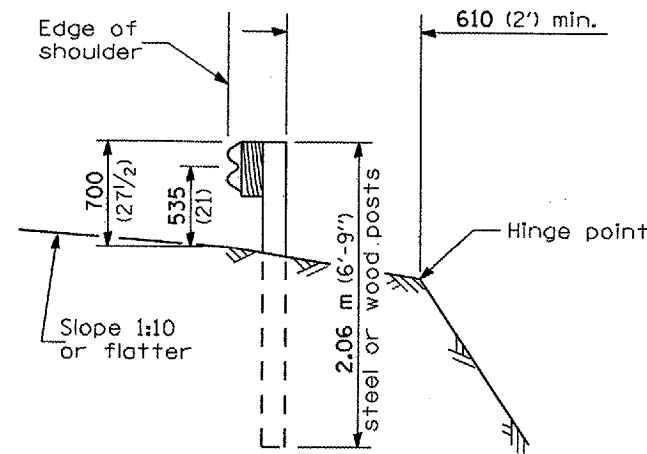
F.A. RTE.	SECTION	COUNTY	TOTAL SHEETS	SHEET NO.
				8A
FED. ROAD DIST. NO.		ILLINOIS FED. AID PROJECT		

70262

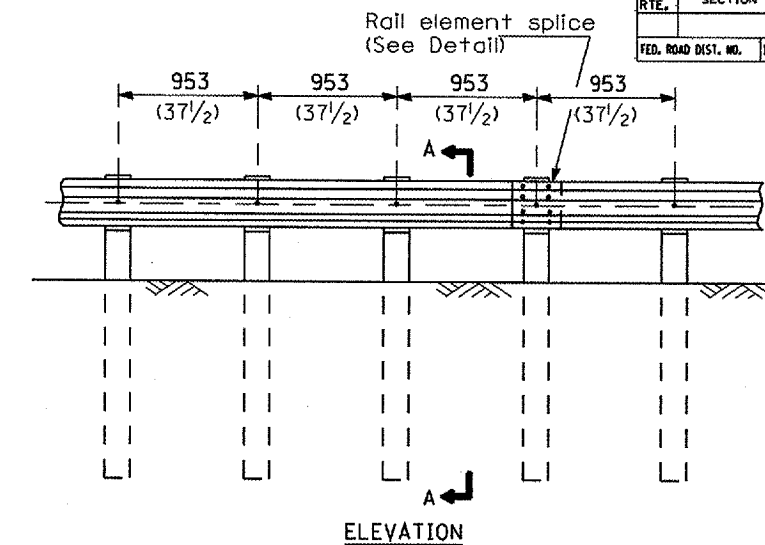


**TYPE A**

1.905 m (6'-3") Typical post spacing

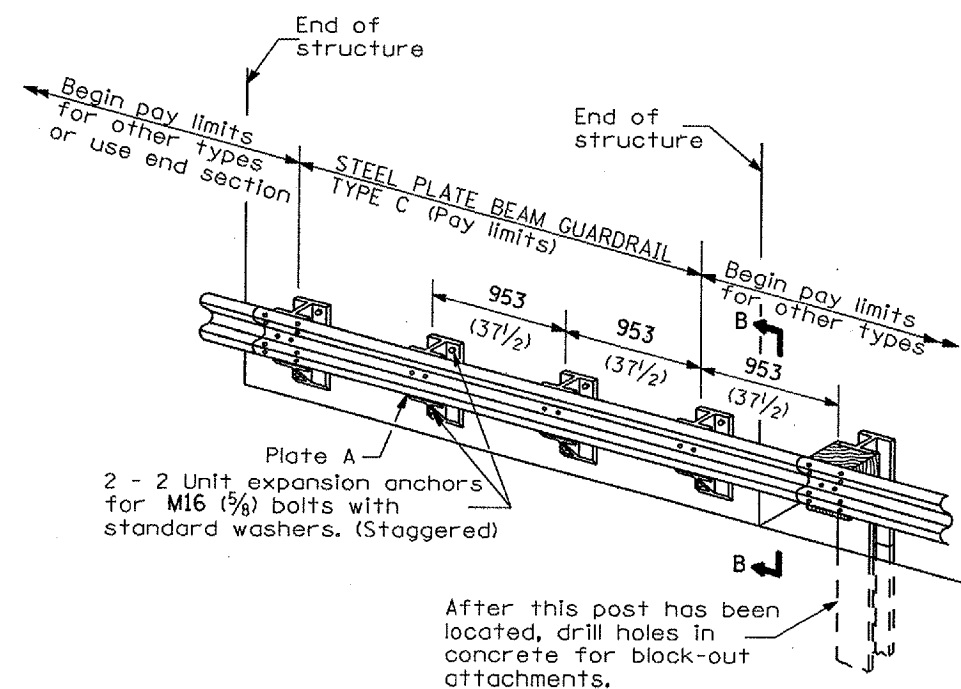


**SECTION A-A**



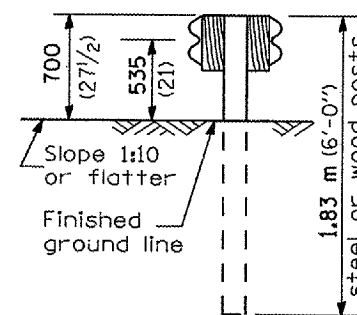
**TYPE B**

953 (37 1/2) Closed post spacing

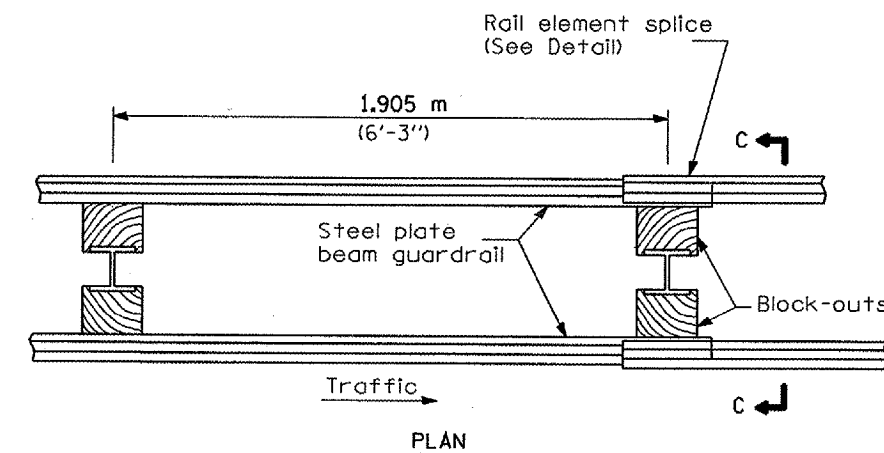


**TYPE C**

953 (37 1/2) Block-out spacing

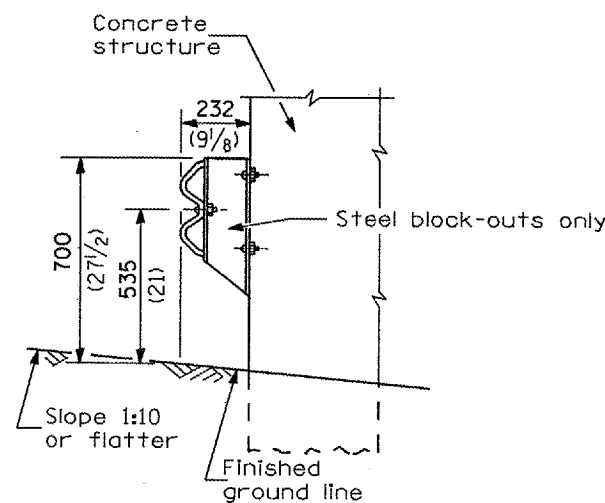


**SECTION C-C**



**TYPE D**

Double steel plate beam guardrail  
1.905 m (6'-3") typical post spacing



**SECTION B-B**

**GENERAL NOTES**

All slope ratios are expressed as units of vertical displacement to units of horizontal displacement (V:H).

All dimensions are in millimeters (inches) unless otherwise shown.

The existing steel posts may be drilled to match the bolt pattern shown herein for the wood block-out, or a new steel post shall be provided.

**REMOVE AND REERECT  
STEEL PLATE BEAM GUARDRAIL**

(Sheet 1 of 4)

**DETAIL**

△ ADDED 11/4/07