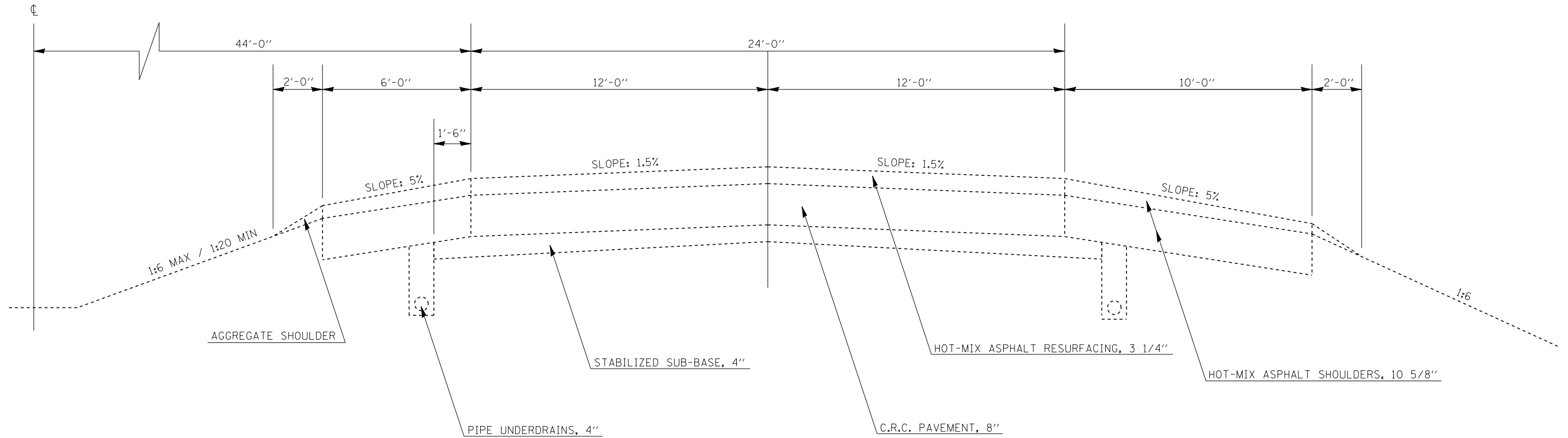


EXISTING TYPICAL CROSS SECTION

STA. 953+83.00 TO STA. 965+00.00

F.A.I. RTE.	SECTION	COUNTY	TOTAL SHEETS	SHEET NO.
72		PI&II	13	5

CONTRACT NO. 70565
• D5 ANNUAL PATCHING 2007-1



EXISTING TYPICAL CROSS SECTION

STA. 965+00.00 TO STA. 1210+00.00

