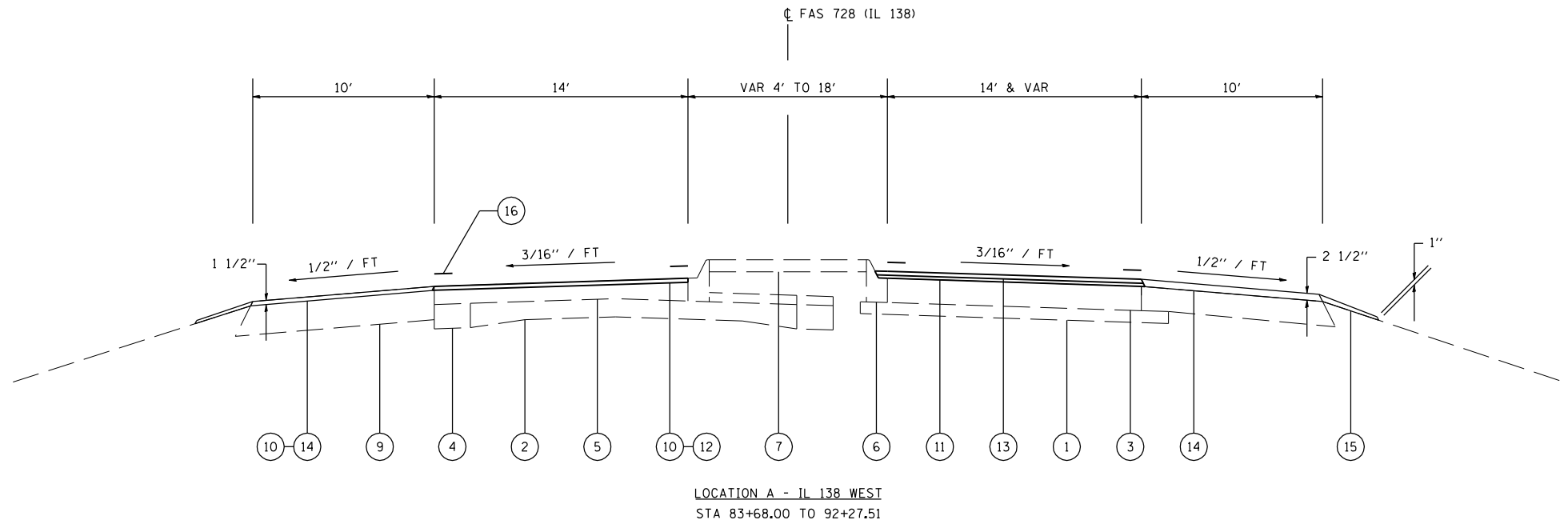
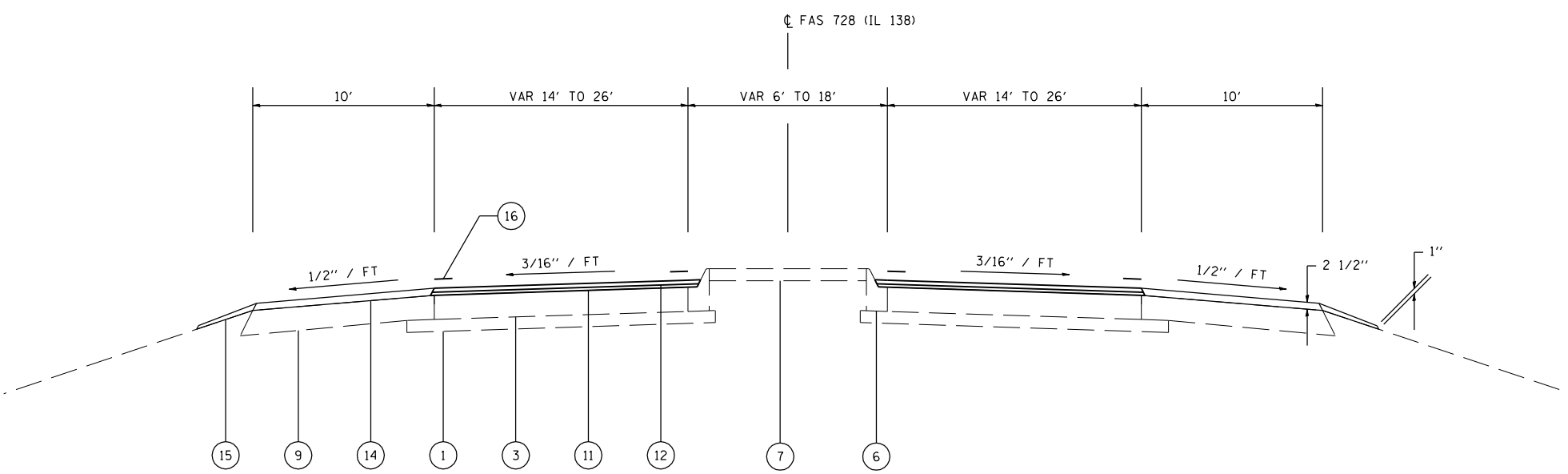


F.A. RTE.	SECTION	COUNTY	TOTAL SHEETS	SHEET NO.
*	**	MACOUPIN	24	5
STA.		TO STA.		
FED. ROAD DIST. NO.	ILLINOIS	FED. AID PROJECT		

- FAS 728, FAU 8136
- D 6 RESURFACING 2007-1



LOCATION A - IL 138 WEST
STA 83+68.00 TO 92+27.51



LOCATION A - IL 138 WEST
STA 92+27.51 TO 98+63.00
STA 101+37 TO 112+19.00

- ① EX STABILIZED SUBBASE 4"
- ② EX CONCRETE PAVEMENT (9-6-9)
- ③ EX PCC PAVEMENT 8"
- ④ EX CONCRETE WIDENING 8"
- ⑤ EX HOT-MIX ASPHALT OVERLAY 5" AND VAR
- ⑥ EX COMBINATION CONC CURB & GUTTER M-6.06
- ⑦ EX PCC MEDIAN SURFACE 4"
- ⑧ EX GUTTER TYPE A
- ⑨ EX HOT-MIX ASPHALT SHOULDER 8"
- ⑩ PR HOT-MIX ASPHALT SURFACE REMOVAL 1/2"
- ⑪ PR LEVELING BINDER (MACHINE METHOD), N50 1"
- ⑫ PR HOT-MIX ASPHALT SURFACE COURSE, MIX "C", N50 1/2"
- ⑬ PR HOT-MIX ASPHALT SURFACE COURSE, MIX "D", N50 1/2"
- ⑭ PR BITUMINOUS SHOULDERS SUPERPAVE
- ⑮ PR AGGREGATE SHOULDERS, TYPE B
- ⑯ PR PAVEMENT MARKING

REVISIONS		ILLINOIS DEPARTMENT OF TRANSPORTATION
NAME	DATE	
		TYPICAL SECTIONS FAS 728 (IL 138), FAU 8136 (STAUNTON RD) SECTION D 6 RESURFACING 2007-1 MACOUPIN COUNTY
SCALE:	VERT. / HORIZ.	DRAWN BY / CHECKED BY

PLOT DATE = 10/24/2006
FILE NAME = c:\projects\652483\shutupicals.dgn
PLOT SCALE = 4.23525' / IN.
USER NAME = laughlin-1