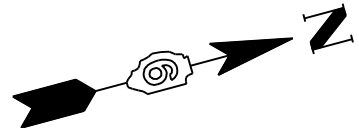
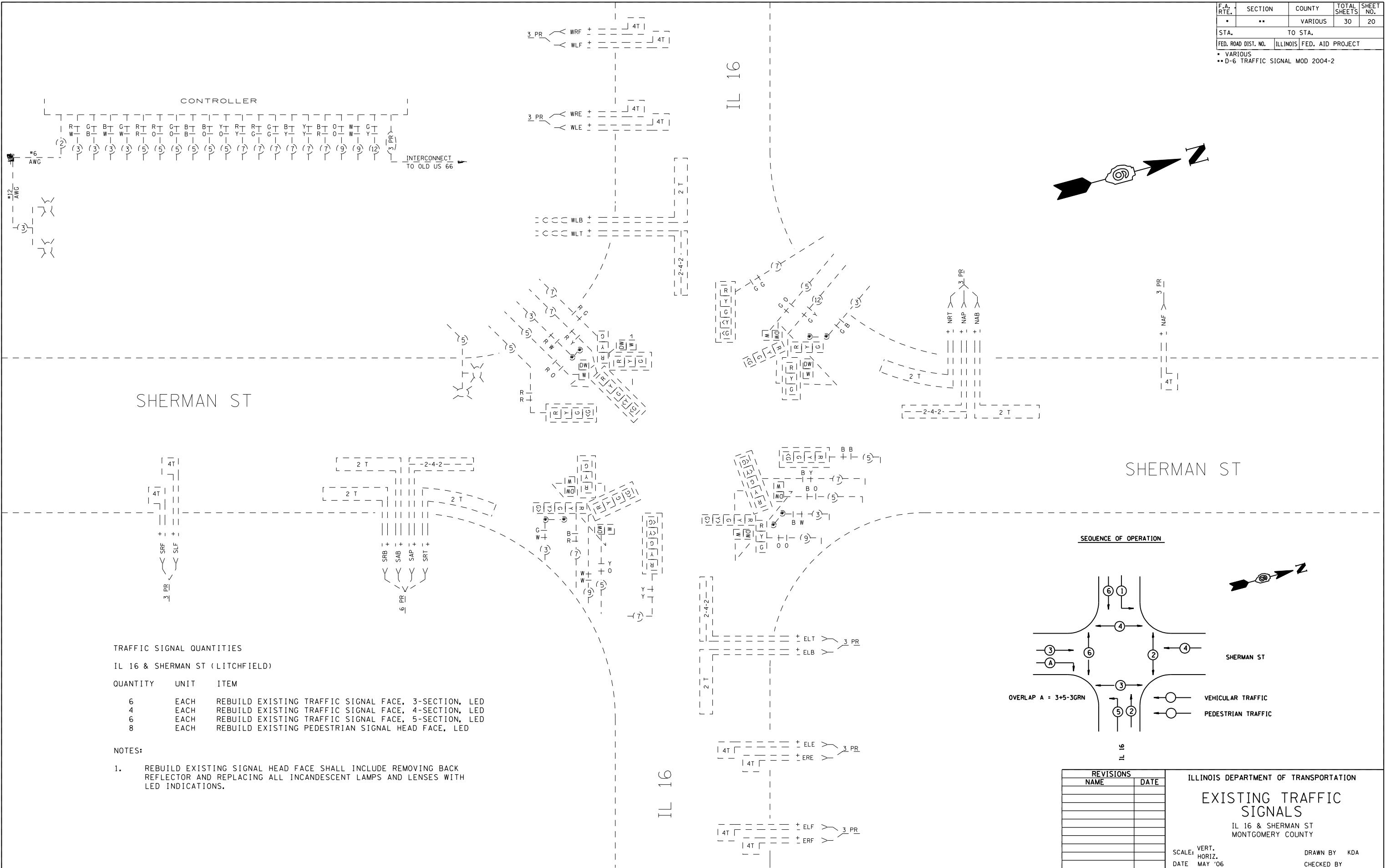


F.A. RTE.	SECTION	COUNTY	TOTAL SHEETS	SHEET NO.
*	**	VARIOUS	30	20
STA.		TO STA.		
FED. ROAD DIST. NO.	ILLINOIS	FED. AID PROJECT		
* VARIOUS				
** D-6 TRAFFIC SIGNAL MOD 2004-2				



SHERMAN ST

SHERMAN ST

IL 16

IL 16

TRAFFIC SIGNAL QUANTITIES

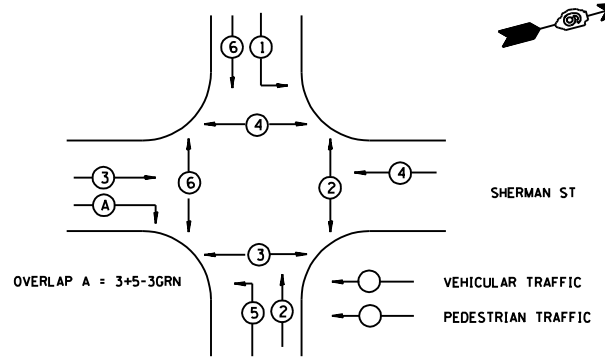
IL 16 & SHERMAN ST (LITCHFIELD)

QUANTITY	UNIT	ITEM
6	EACH	REBUILD EXISTING TRAFFIC SIGNAL FACE, 3-SECTION, LED
4	EACH	REBUILD EXISTING TRAFFIC SIGNAL FACE, 4-SECTION, LED
6	EACH	REBUILD EXISTING TRAFFIC SIGNAL FACE, 5-SECTION, LED
8	EACH	REBUILD EXISTING PEDESTRIAN SIGNAL HEAD FACE, LED

NOTES:

- REBUILD EXISTING SIGNAL HEAD FACE SHALL INCLUDE REMOVING BACK REFLECTOR AND REPLACING ALL INCANDESCENT LAMPS AND LENSES WITH LED INDICATIONS.

SEQUENCE OF OPERATION



REVISIONS	
NAME	DATE

ILLINOIS DEPARTMENT OF TRANSPORTATION  
**EXISTING TRAFFIC SIGNALS**  
 IL 16 & SHERMAN ST  
 MONTGOMERY COUNTY

SCALE: VERT. HORIZ. DATE: MAY '06 DRAWN BY: KDA CHECKED BY: