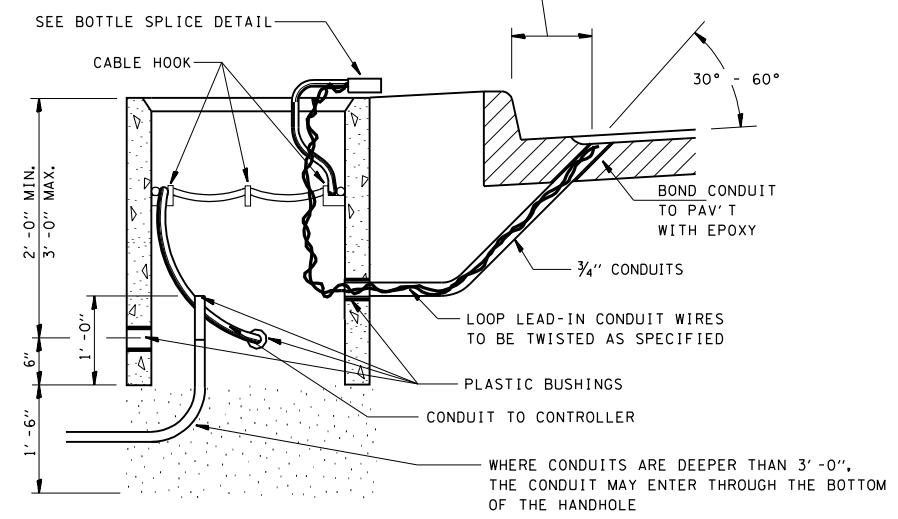


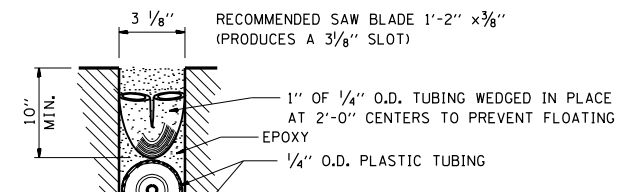
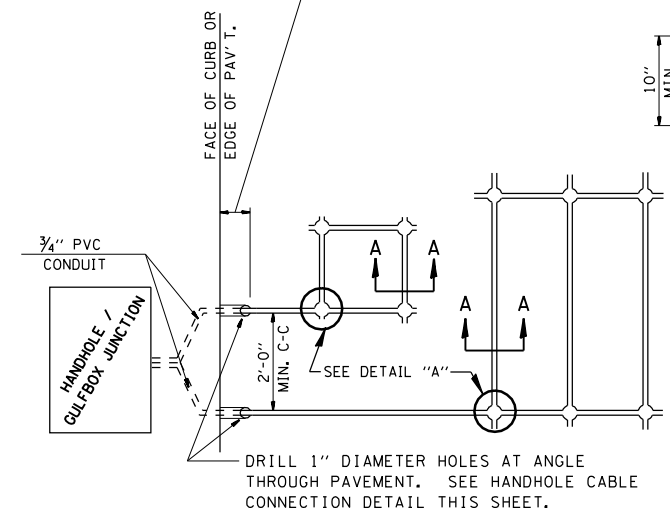
F.A. RTE.	SECTION	COUNTY	TOTAL SHEETS	SHEET NO.
*	**	VARIOUS	30	24
STA.		TO STA.		
FED. ROAD DIST. NO.	ILLINOIS	FED. AID PROJECT		
* VARIOUS				
** D-6 TRAFFIC SIGNAL MOD 2004-2				

LENGTH OF SLACK FOR LOOP LEAD-INS SHALL PROVIDE FOR MAKING THE SPLICE ON TOP OF THE HANDHOLE AND ONE COMPLETE LOOP OF THE INTERIOR OF THE HANDHOLE. THE SPLICE SHALL BE SUPPORTED BY A CABLE HOOK.

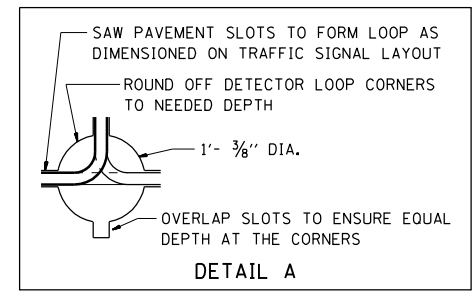
THE LOOP LEAD-IN CONDUIT HOLES SHALL BE PLACED AS CLOSE TO THE CURB AS POSSIBLE TO PERMIT SAW OVERLAP WITHOUT SCARRING FACE OF CURB. IN NON-CURB LOCATIONS THE DISTANCE SHALL NOT BE LESS THAN 6".



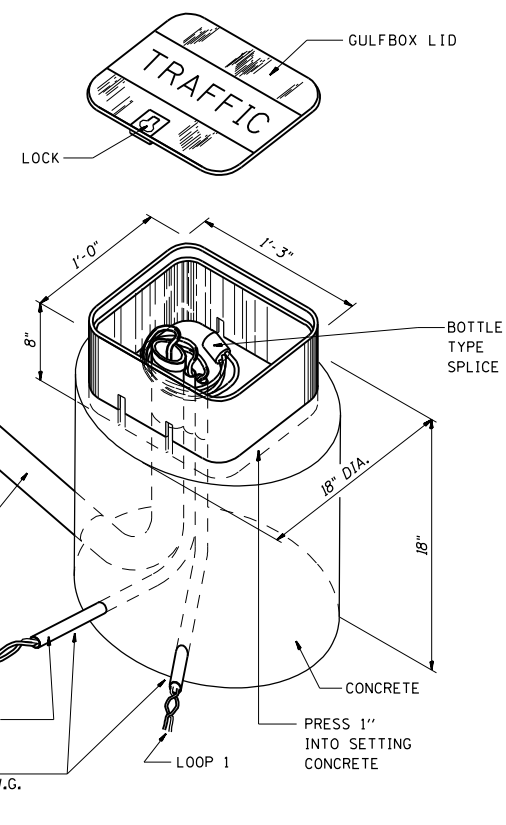
HANDHOLE CABLE CONNECTIONS



SECTION A-A

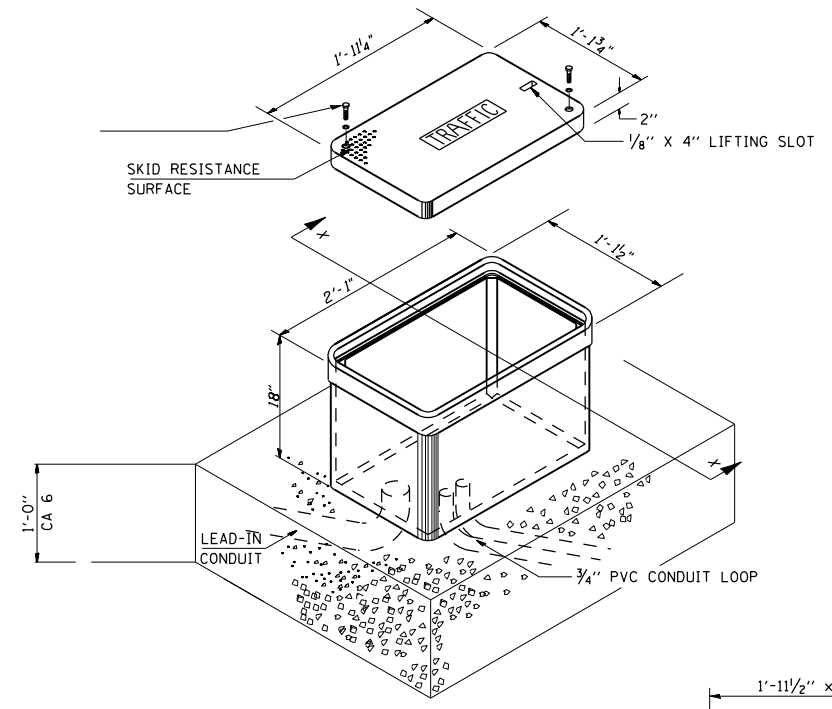


PAVEMENT SAWING DETAIL FOR TUBE ENCASED DETECTOR LOOP WIRE



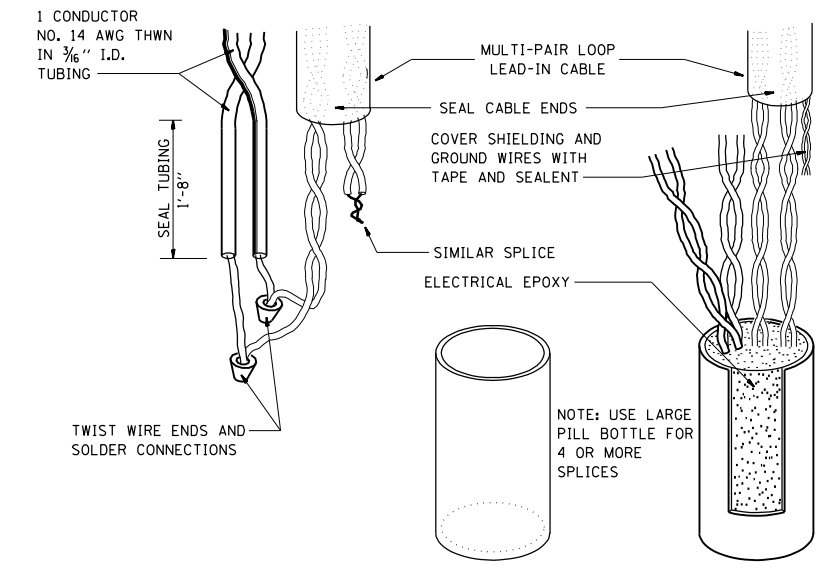
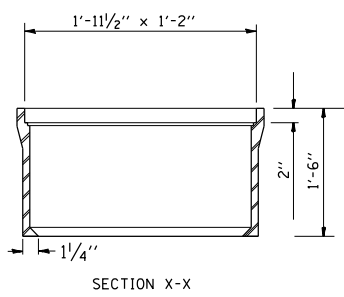
GULFBOX JUNCTION DETAIL

(SHOWING CONNECTION OF TUBE-ENCASED DETECTOR LOOP TO MULTI-PAIR LEAD-IN CABLE)



MINIMUM DIMENSIONS

JUNCTION BOX (SPECIAL)



SPLICE

PILL BOTTLE

FINISHED SPLICE

BOTTLE SPLICE DETAIL

REVISIONS	
NAME	DATE

ILLINOIS DEPARTMENT OF TRANSPORTATION
**TRAFFIC SIGNAL
DETECTOR LOOP DETAILS**