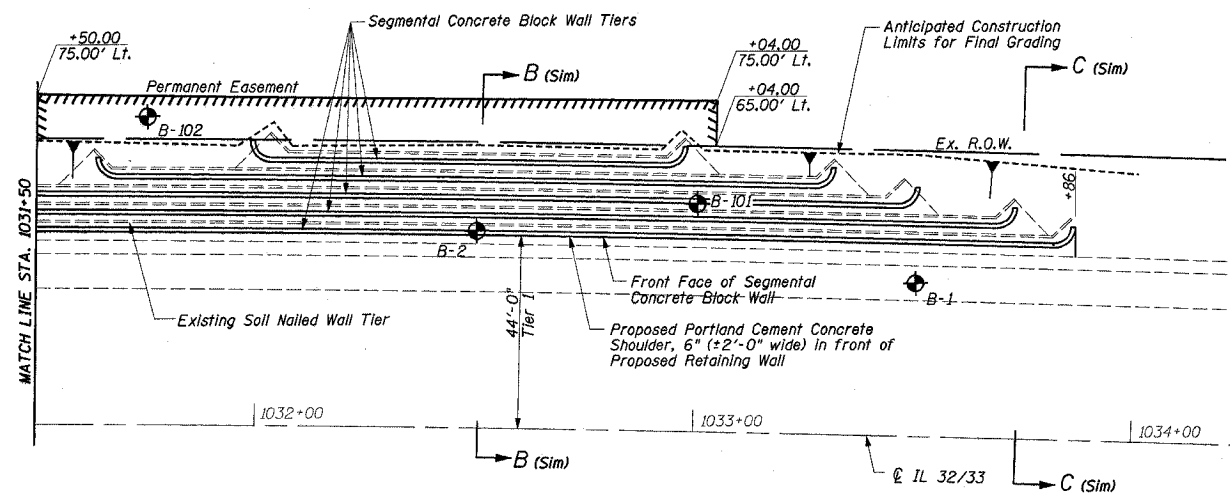
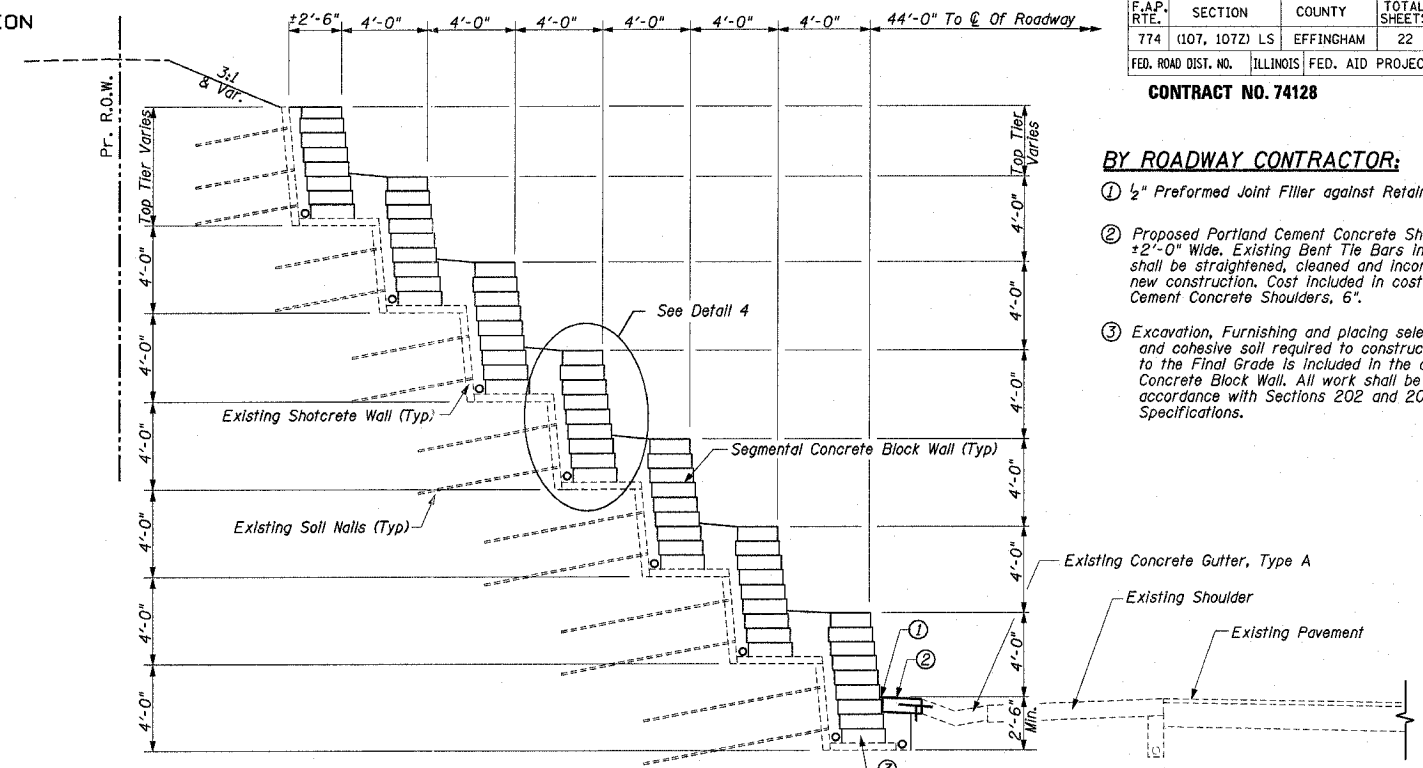


BY ROADWAY CONTRACTOR:

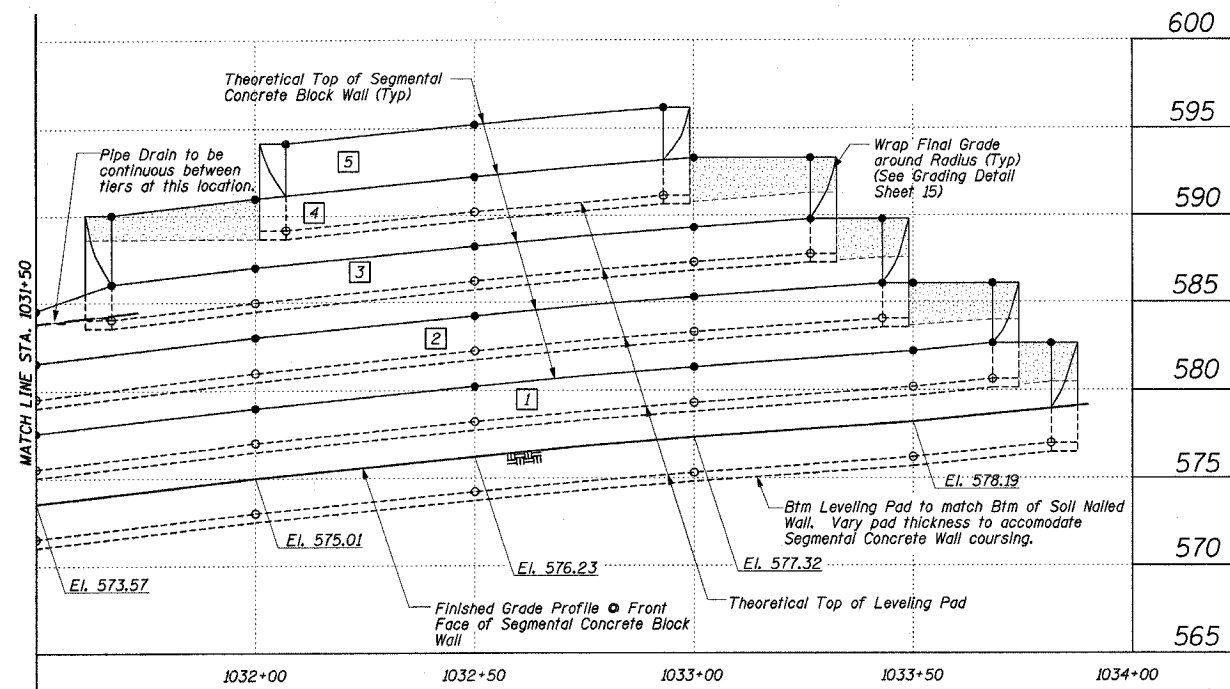
- 1/2" Preformed Joint Filler against Retaining Wall
- Proposed Portland Cement Concrete Shoulder, 6" ± 2'-0" Wide. Existing Bent Tie Bars in Concrete Gutter shall be straightened, cleaned and incorporated into new construction. Cost included in cost of Portland Cement Concrete Shoulders, 6".
- Excavation, Furnishing and placing select granular backfill and cohesive soil required to construct the Retaining Wall to the Final Grade is included in the cost of Segmental Concrete Block Wall. All work shall be completed in accordance with Sections 202 and 205 of the Standard Specifications.



SEGMENTAL CONCRETE BLOCK WALL PLAN



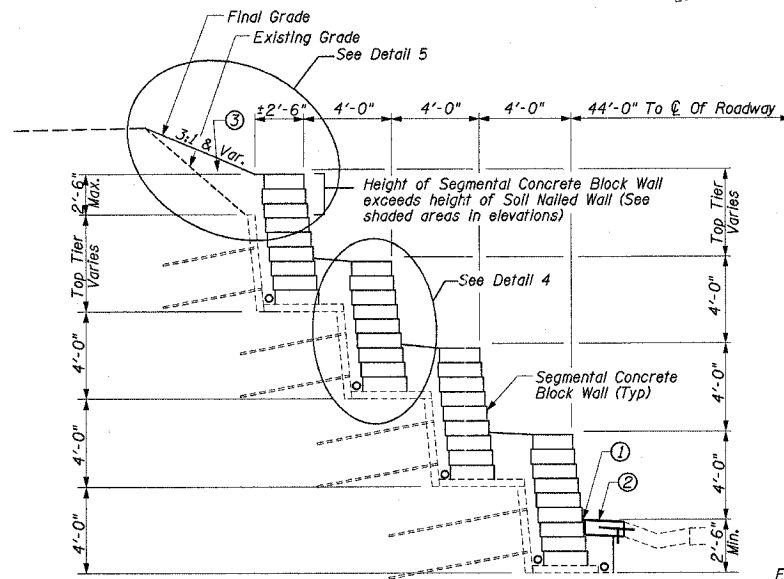
SECTION B-B
TYPICAL TIERED RETAINING WALL
(Sta. 1028+00.00 Shown, Others Similar)



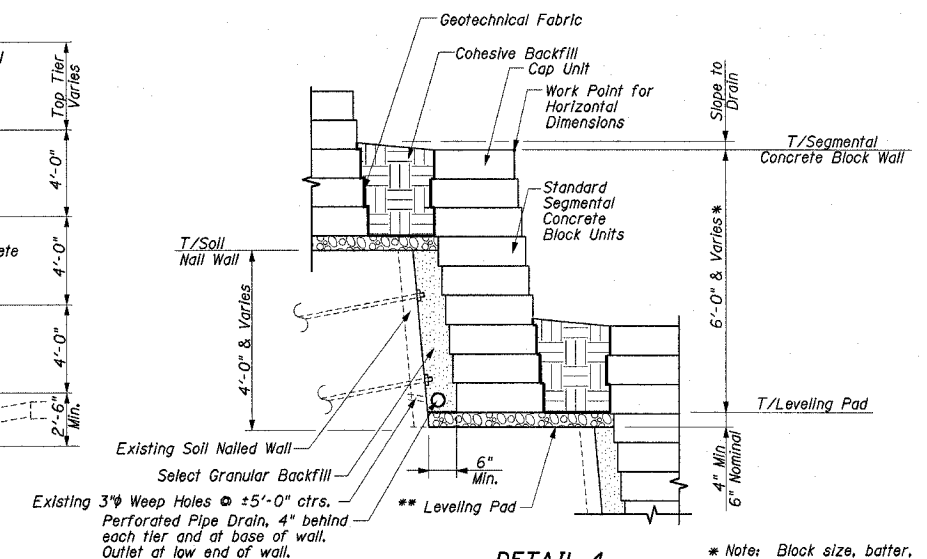
SEGMENTAL CONCRETE BLOCK WALL ELEVATION

LEGEND

- Denotes Top of Wall Work Point.
- Denotes Btm of Wall Work Point
- ▨ Area where height of Segmental Concrete Block Wall exceeds height of Soil Nailed Wall. See Section C-C.
- Denotes Tier No.

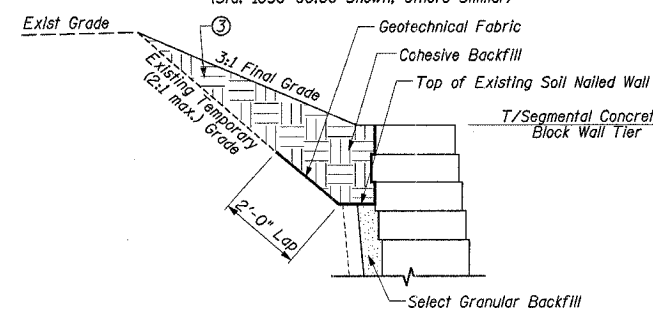


SECTION C-C
TYPICAL TIERED RETAINING WALL
(Sta. 1030+00.00 Shown, Others Similar)



DETAIL 4
Typical Segmental Concrete Block Wall Tier

* Note: Block size, batter, setback & no. of courses per Wall Supplier Design (See Special Provision)



DETAIL 5

** Existing pad shall be adjusted to dimensions of steps on approved shop drawings. Cost included in segmental concrete block wall.

SEGMENTAL CONCRETE BLOCK WALL
ILLINOIS ROUTE 32/33
F.A.P. ROUTE 774
EFFINGHAM COUNTY
RETAINING WALL
STA. 1026+03.00 LT. TO STA. 1033+86.00 LT.
STRUCTURE NUMBER 025-W008