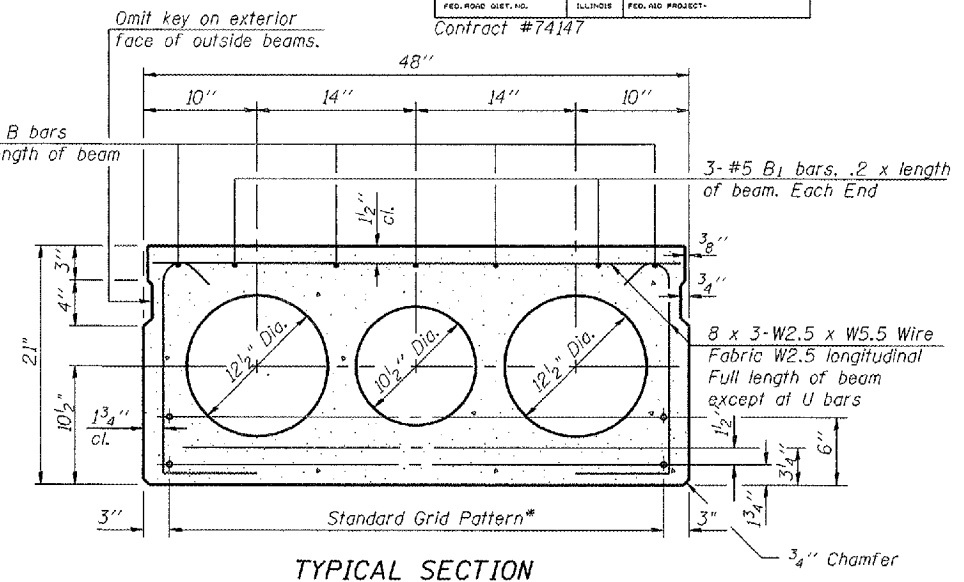
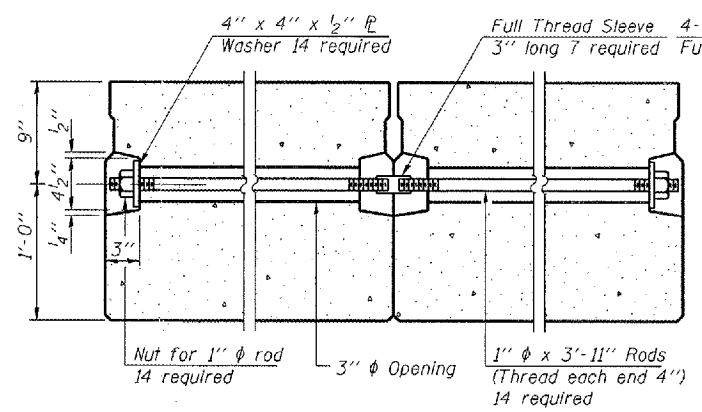
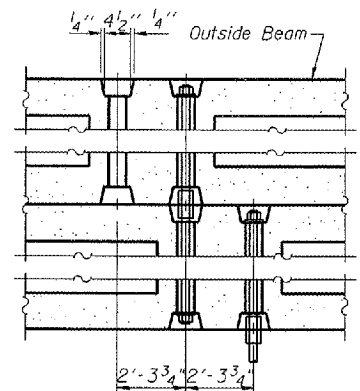
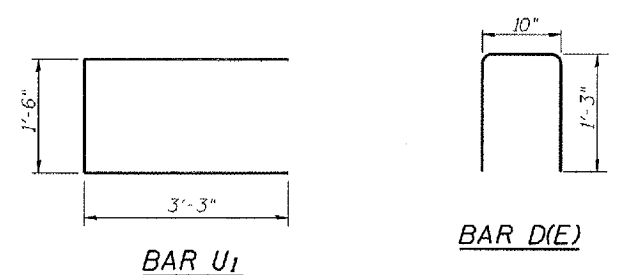
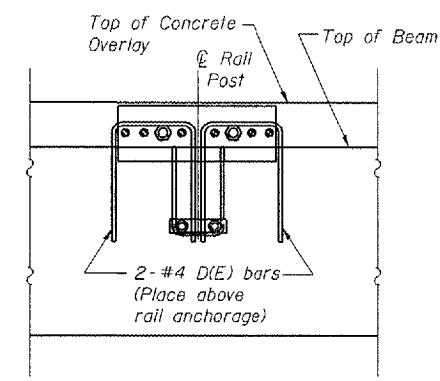
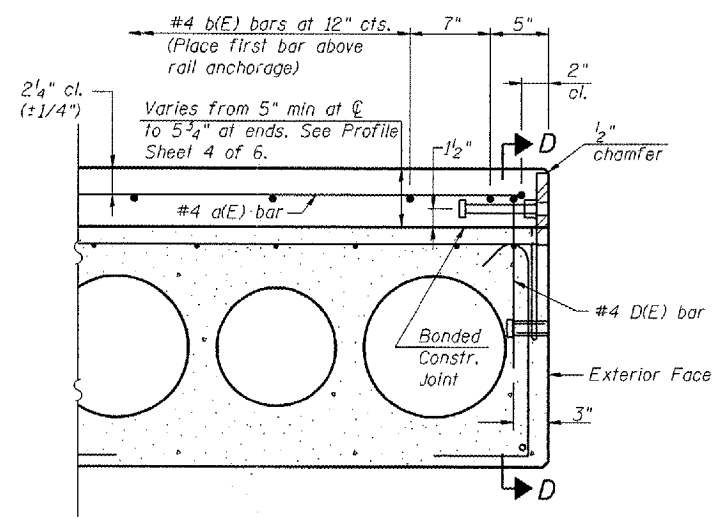
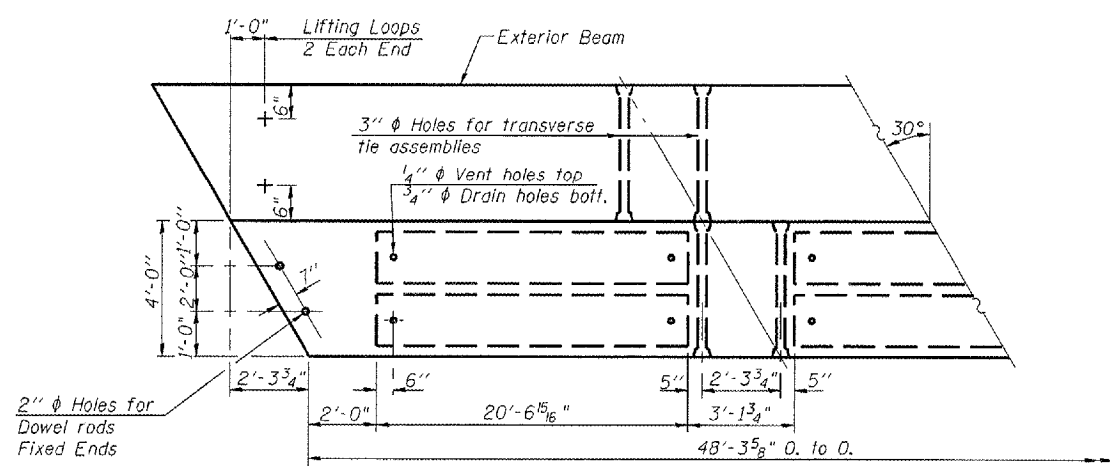


FIXED



***TRANSVERSE STRAND PLACEMENT GUIDELINES**

1. Place strands symmetrically about centerline of beam.
2. The minimum distance from center to center of strands in all directions shall be 2".
3. The minimum clearance from strand to dowel hole shall be 1/2".
4. The minimum clearance from strand to void shall be 1/2".



NOTES

Prestressing steel shall be uncoated high strength, low relaxation 7-wire strand, Grade 270. The nominal diameter shall be 1/2" and the nominal cross-sectional area shall be 0.153 sq. in. Lifting loops shall be 2-1/2" φ-270 ksi strands, as shown.

The 1" φ rods in the transverse tie assembly shall be tightened to a snug fit and the threads set. Pockets that receive transverse tie bar on outside shall be filled with grout after transverse tie assembly is in place.

Non-prestressing steel shall conform to ASTM A-706 (IL Mod), Grade 60.

The bearing seat surfaces shall be adjusted by shimming to assure firm and even bearing. Two 1/8" fabric adjusting shims of the dimensions of the Exterior Bearing Pad shall be provided for each bearing. (Cost included in precast prestressed concrete deck beams.)

Keyway surfaces shall be cleaned to remove form oil or other bond breaking material prior to shipment of the beams. Cleaning shall be done by sandblasting the keyway areas between top of the beam and the bottom edge of the key.

Corrosion Inhibitor, according to Articles 1020.05(b)(12) and 1021.06 of the Standard Specifications, shall be used in the concrete for precast prestressed concrete deck beams.

Required Release Strength, f'ci, shall be 4,000 p.s.i.

See Sheets 2 and 4 of 6 for location of rail inserts.

Bridge rail inserts and D(E) bars shall be cast in precast beams.

The rail anchorage shall be cast with the beam and the wearing surface shall be cast in the field. Formwork necessary for the wearing surface may be secured utilizing the bottom rail anchorage inserts and/or additional inserts cast into the beam. Drilling into the beam will not be permitted.

BILL OF MATERIAL

Precast Prestressed Conc. Deck Bms.(21" Depth)	Sq. Ft.	1546
--	---------	------

ILLINOIS DEPARTMENT OF TRANSPORTATION

SUPERSTRUCTURE DETAILS

**IL ROUTE 32 OVER JONATHAN BRANCH
 F.A.P. ROUTE 758 SECTION 3BR-1
 MOULTRIE COUNTY
 STATION 68+26.50
 STRUCTURE NO. 070-0033**

DATE: MARCH 2006

DRAWN BY: MLO
 CHECKED BY: PBB