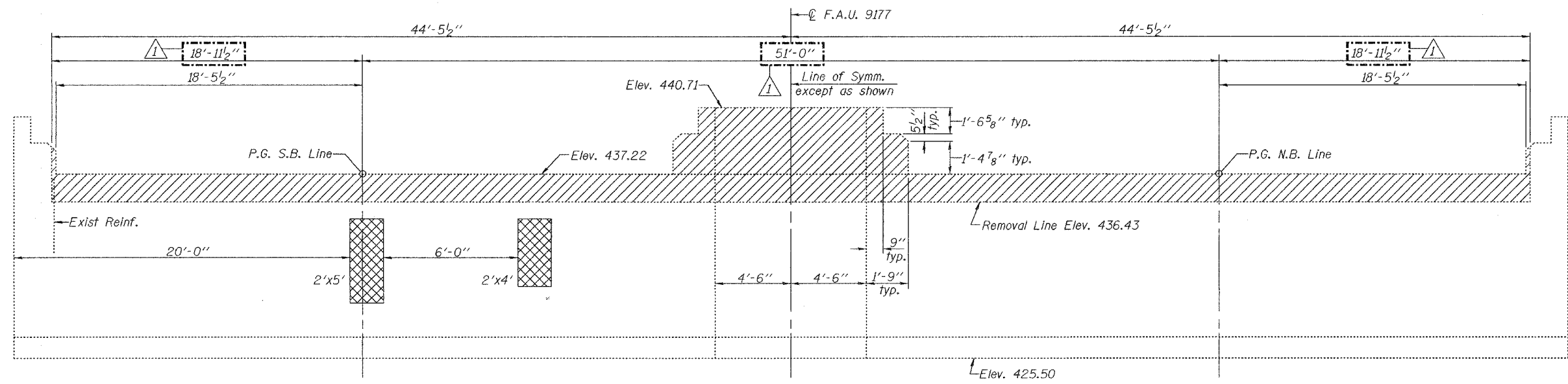


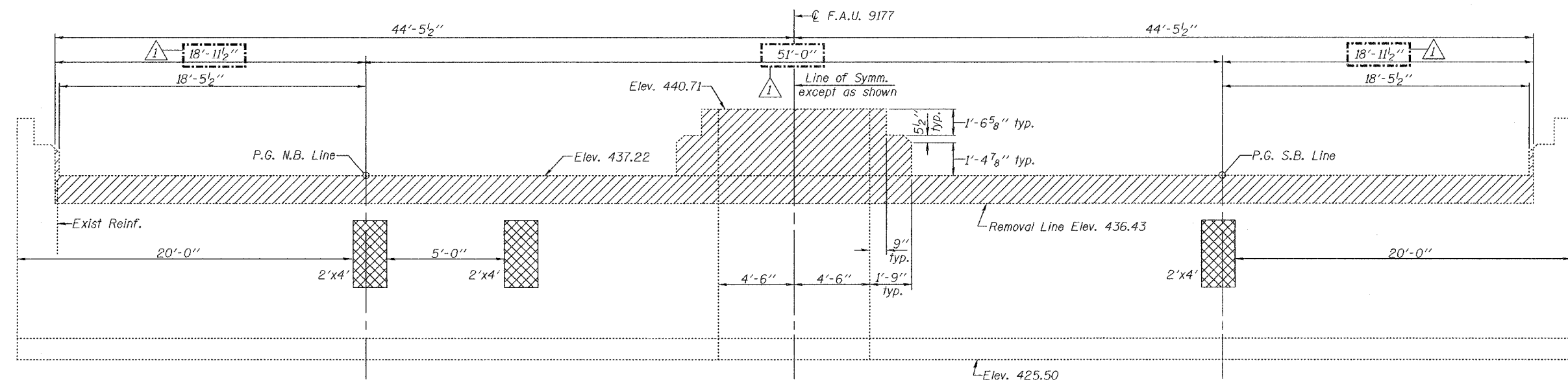
STATE OF ILLINOIS
DEPARTMENT OF TRANSPORTATION

ROUTE NO.	SECTION	COUNTY	SHEET NO.	SHEET	SHEET NO. 6
F.A.U. 9177	44-1BR	St. Clair	29	21	10 SHEETS
FED. ROAD DIST. NO. 7	ILLINOIS	FED. AID PROJECT-			


Contract #76566




ELEVATION
(North Abutment, Looking North)



ELEVATION
(South Abutment, Looking South)

 Hatched areas indicate Concrete Removal.

 Crosshatched areas indicate Structural Repair of Concrete (Depth equal or less than 5").

Note: Existing vertical reinforcement bars extending into the New Construction shall be cleaned, straightened and incorporated into the New Construction. Cost included with Concrete Removal.

DESIGNED	Nicholas Barnett
CHECKED	Ray Ahanchi
DRAWN	R. Sommer
CHECKED	NRB/GRA

EXAMINED	December 7, 2006	<i>Thomas J. Demagali</i>
PASSED		<i>Ralph E. Anderson</i>

CONCRETE REMOVAL & REPAIR DETAILS
F.A.U. ROUTE 9177-SECTION 44-1BR
ST. CLAIR COUNTY
STATION 100+00.00 (NB)
STATION 200+00.00 (SB)
S.N. 082-0096 (NB) & 082-0097 (SB)