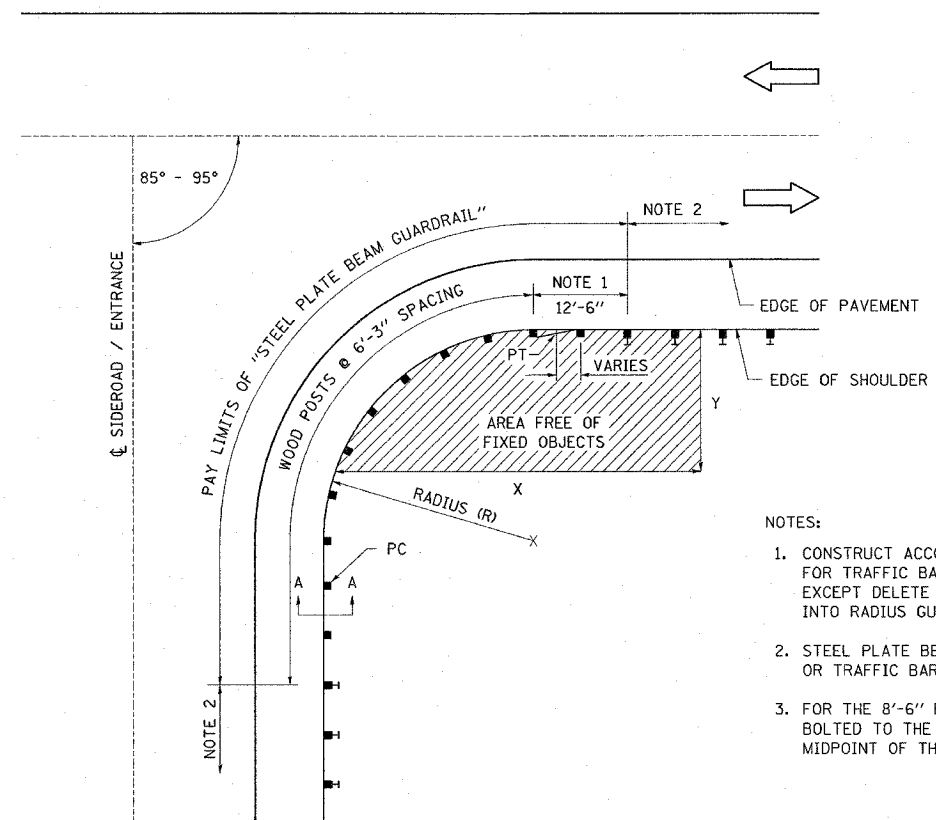


F.A.U. RTE.	SECTION	COUNTY	TOTAL SHEETS	SHEET NO.
9177	44-1BR	ST. CLAIR	29	14
STA.		TO STA.		
FED. ROAD DIST. NO.	ILLINOIS	FED. AID PROJECT		

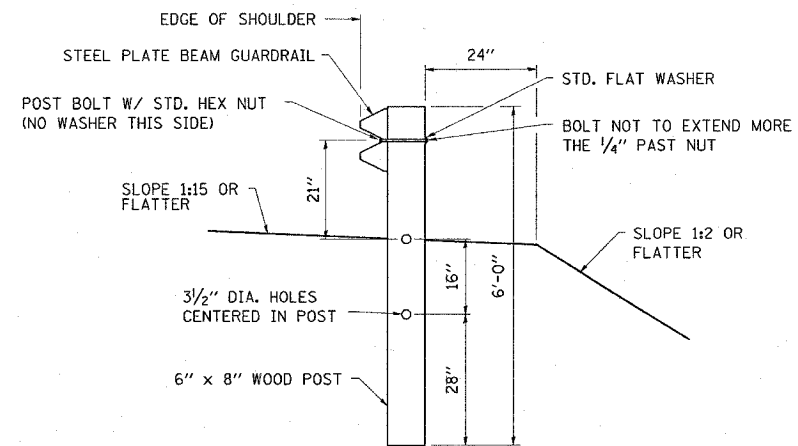


NOTES:

1. CONSTRUCT ACCORDING TO STANDARD 631011 FOR TRAFFIC BARRIER TERMINAL TYPE 2, EXCEPT DELETE END SECTION AND SPLICE INTO RADIUS GUARDRAIL.
2. STEEL PLATE BEAM GUARDRAIL TYPE A, TYPE B, OR TRAFFIC BARRIER TERMINAL AS SPECIFIED.
3. FOR THE 8'-6" RADIUS, THE RAIL IS NOT BOLTED TO THE POST LOCATED AT THE MIDPOINT OF THE CURVE.

PLAN VIEW SHORT RADIUS GUARDRAIL DETAIL

NOT TO SCALE



SECTION A-A

NOT TO SCALE

R	NO. OF WOOD POSTS	X	Y
8'-6"	5 (NOTE 3)	25'	15'
17'-0"	6	30'	15'
25'-6"	8	40'	20'
35'-0"	11	50'	20'

REVISIONS	
NAME	DATE

ILLINOIS DEPARTMENT OF TRANSPORTATION

MISCELLANEOUS DETAILS

FAU ROUTE 9177  
SECTION 44-1BR  
ST. CLAIR COUNTY