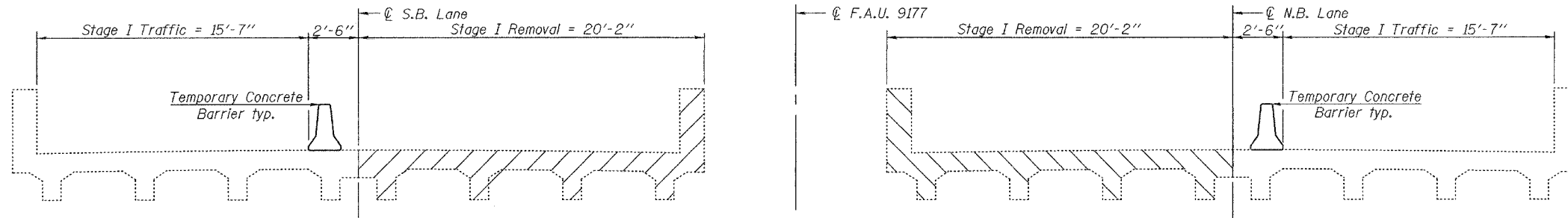
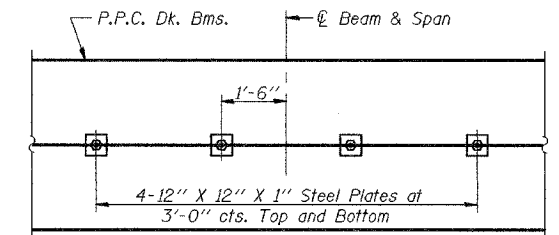


STATE OF ILLINOIS  
DEPARTMENT OF TRANSPORTATION

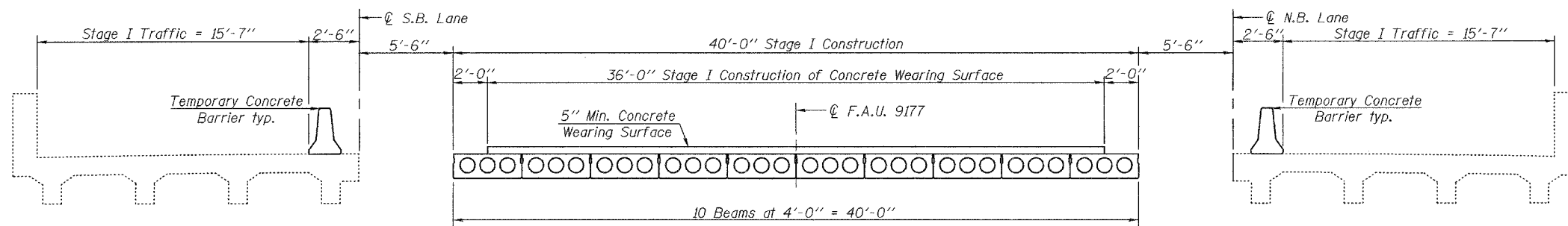
ROUTE NO.	SECTION	COUNTY	DATE	SHEET NO.	SHEET NO. 2 12 SHEETS
F.A.U. 9177	44-1BR	St. Clair	29	17	
FED. ROAD DIST. NO. 7	ILLINOIS	FED. AID PROJECT-	Contract #76566		



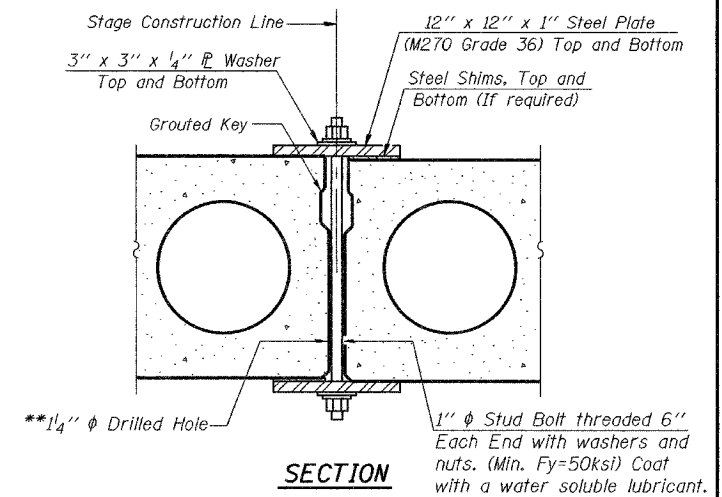
**STAGE I REMOVAL & STAGE I TRAFFIC**



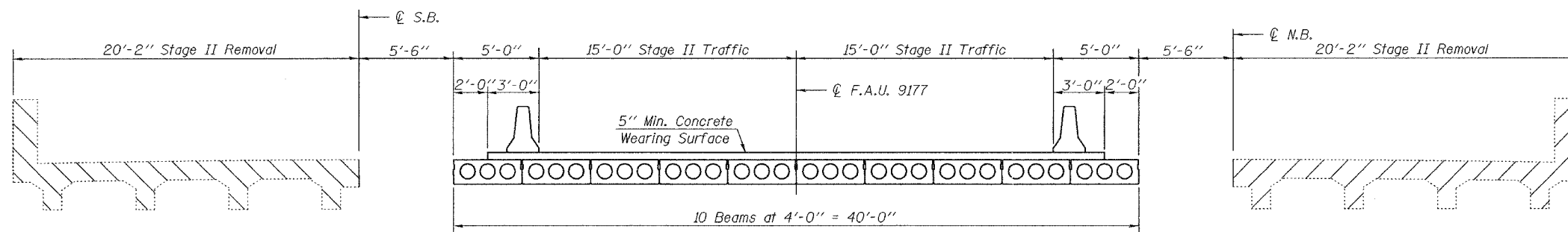
**PLAN**



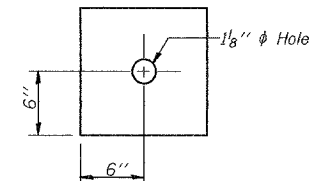
**STAGE I CONSTRUCTION & STAGE I TRAFFIC**



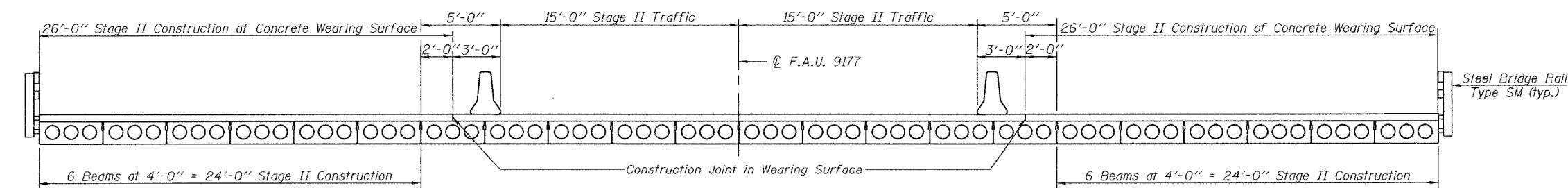
**SECTION**



**STAGE II REMOVAL & STAGE II TRAFFIC**



**CLAMPING PLATE**



**STAGE II CONSTRUCTION & STAGE II TRAFFIC**

**SHEAR KEY CLAMPING DETAILS AT STAGE CONST. JT.**

Stage Construction of Precast Prestressed Concrete Deck Beams shall be according to Article 504.06 (d) of Standard Specifications. \*\*As an alternate to the drilled holes, the Contractor may request the fabricator to cast 2" diameter semi-circular recesses in the sides of each beam adjacent to the Stage Construction Line. These recesses should align to form a hole at the appropriate locations for the clamping device bolts. If the Contractor elects to use this alternate, the details shall be identified on the shop drawings. See Stage Construction Details for traffic lanes.

DESIGNED	Nicholas Barnett
CHECKED	Ray Ahanchi
DRAWN	R. Sommer
CHECKED	NRB/GRA

EXAMINED	November 2, 2006
PASSED	Thomas J. Domagalaki ENGINEER OF BRIDGE DESIGN
	Ralph E. Anderson ENGINEER OF BRIDGES AND STRUCTURES

Notes: All Staging Cross Section are looking North.  
Hatch areas indicate removal of Existing Superstructure.  
Stage I Beam Construction shall start at centerline of F.A.U. 9177.  
Stage II Beam Construction shall start at the end of Stage I Beam Construction.

**STAGE CONSTRUCTION**  
F.A.U. ROUTE 9177-SECTION 44-1BR  
ST. CLAIR COUNTY  
STATION 100+00.00 (NB)  
STATION 200+00.00 (SB)  
S.N. 082-0096 (NB) & 082-0097 (SB)