

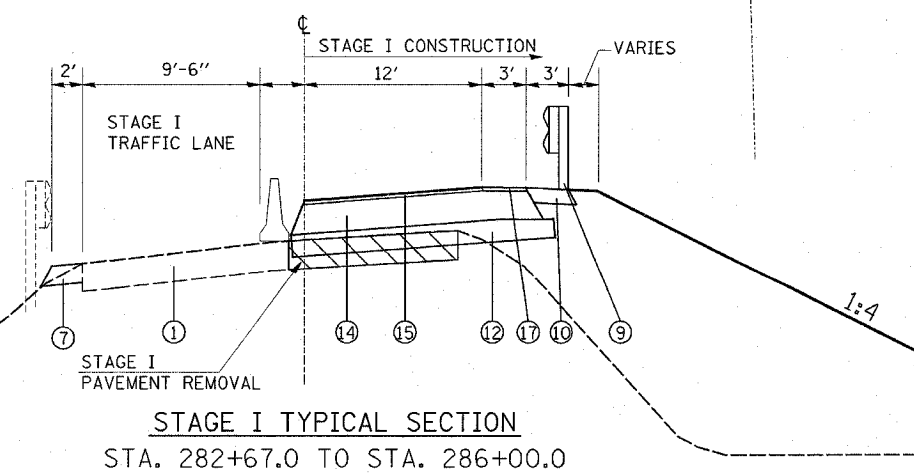
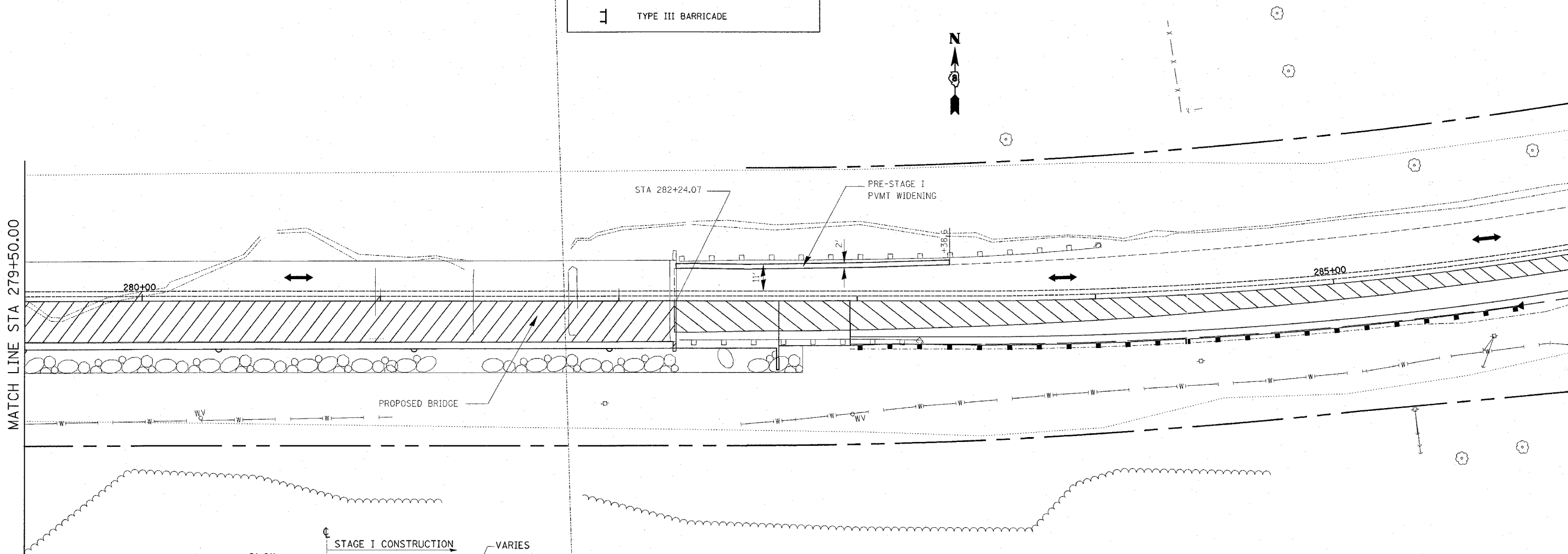
F.A.P. RTE.	SECTION	COUNTY	TOTAL SHEETS	SHEET NO.
789	54BR-1	MADISON	62	12
STA. 279+50.00		TO STA. 286+00.00		
FED. ROAD DIST. NO. 1		ILLINOIS FED. AID PROJECT		

**LEGEND:**

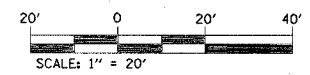
- STRUCTURE REMOVAL
- PAVEMENT REMOVAL
- TEMPORARY CONCRETE BARRIER
- IMPACT ATTENUATOR
- INDUCTION LOOP DETECTOR
- DRUM WITH STEADY BURNING LIGHT
- SIGNALIZED TWO-WAY TRAFFIC LANE
- TEMPORARY BRIDGE TRAFFIC SIGNAL
- TYPE III BARRICADE

MATCH LINE STA 279+50.00

MATCH LINE STA 286+00.00



- LEGEND**
- ① EXISTING PAVEMENT
  - ⑦ PROPOSED HOT-MIX ASPHALT BASE COURSE WIDENING 9"
  - ⑨ PROPOSED GUARDRAIL
  - ⑩ PROPOSED AGGREGATE SHOULDER 6"
  - ⑫ LIME MODIFIED SOIL 12"
  - ⑭ PROPOSED HOT-MIX ASPHALT BINDER COURSE 13"
  - ⑮ PROPOSED HOT-MIX ASPHALT SURFACE COURSE 1 1/2"
  - ⑰ PROPOSED HOT-MIX ASPHALT SHOULDERS, 1 1/2"



REVISIONS	
NAME	DATE

ILLINOIS DEPARTMENT OF TRANSPORTATION  
**SUGGESTED STAGE I CONSTRUCTION**  
 FAP ROUTE 789  
 SECTION 54BR-1  
 MADISON COUNTY

SCALE: VERT. 1" = 20'  
 HORIZ. 1" = 40'

DRAWN BY \_\_\_\_\_  
 CHECKED BY \_\_\_\_\_

PLOT DATE = 10/18/2006  
 FILE NAME = c:\pms\jess\ad811485\plan\p1.dwg  
 PLOTTER = HP DesignJet 500 / IN  
 REFERENCE = REF