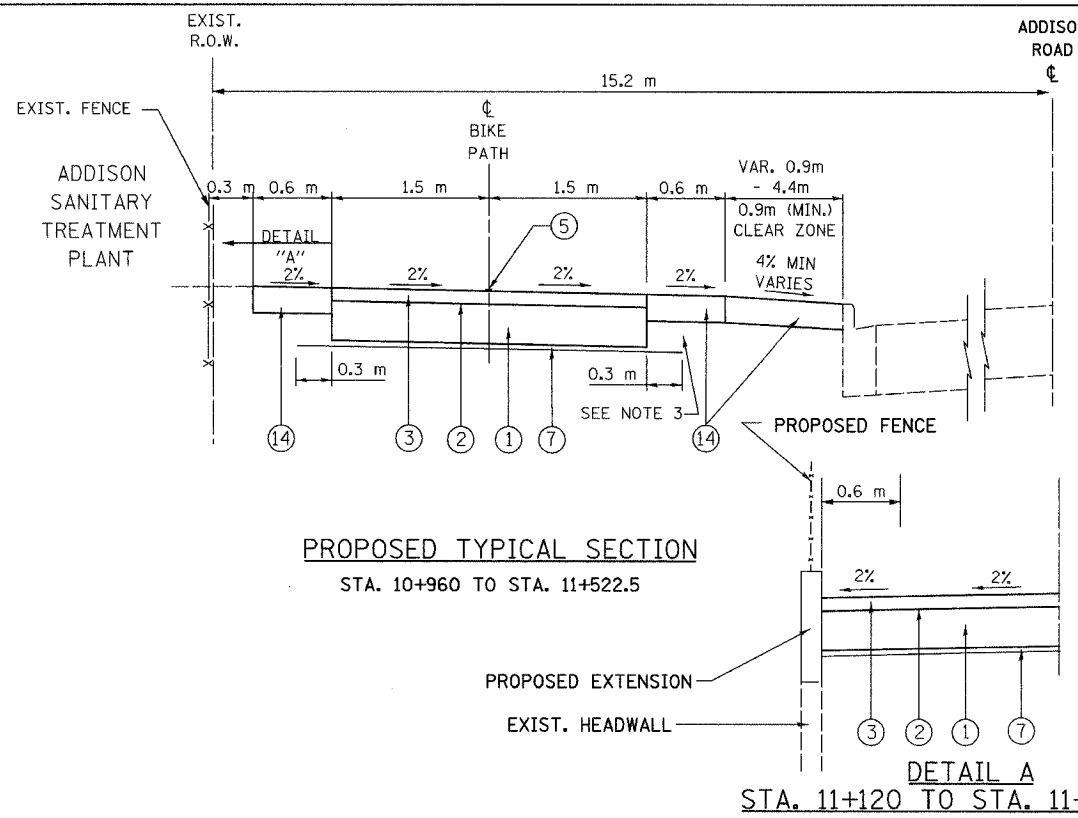
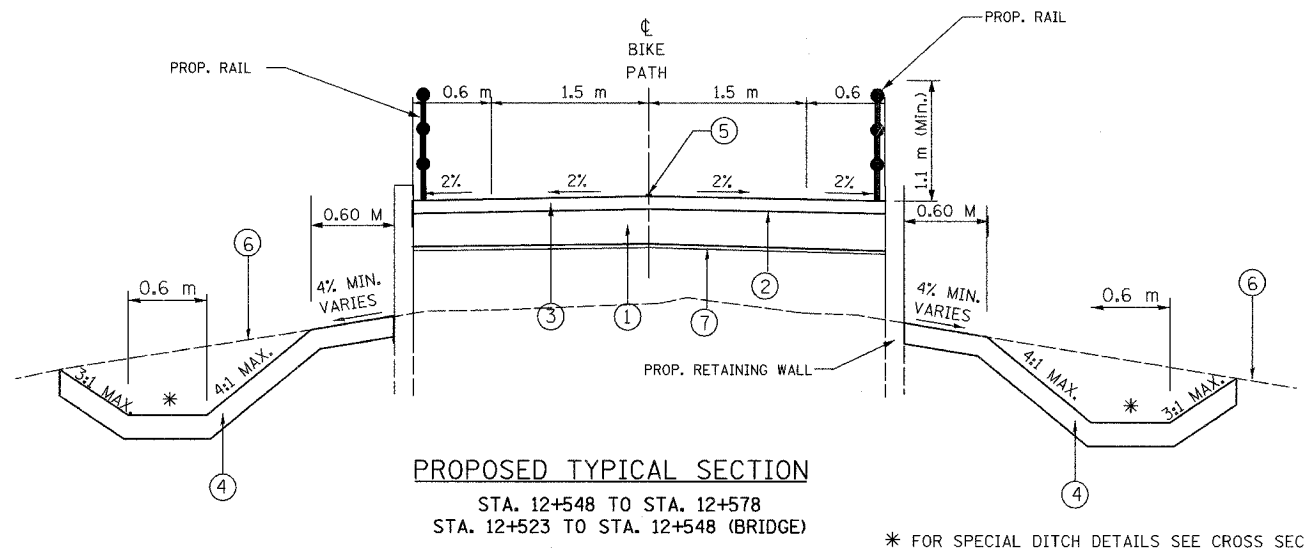


SECTION	COUNTY	TOTAL SHEETS	SHEET NO.
02-00090-00-BT	DUPAGE	117	7
STA. TO STA.			
IDOT PROJECT NO. M-8003(222)			
SALT CREEK GREENWAY TRAIL			
CONTRACT NO. 83713			



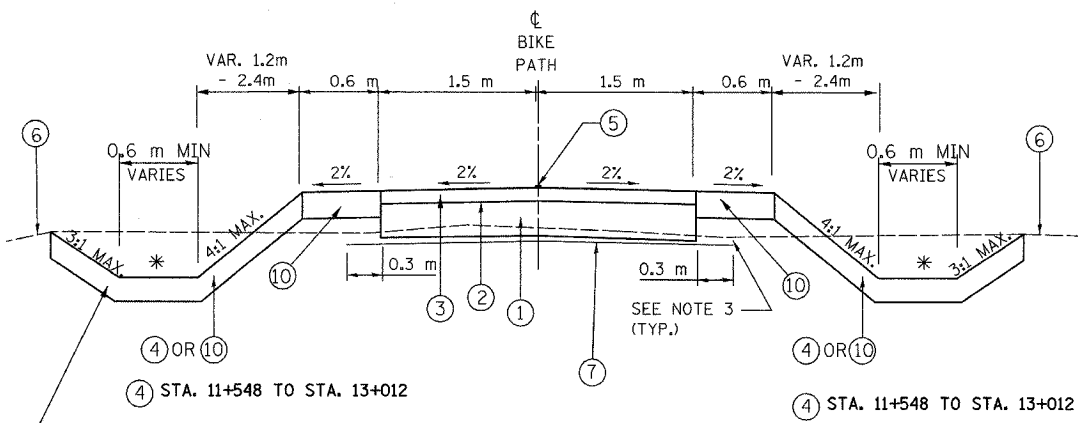
PROPOSED TYPICAL SECTION
STA. 10+960 TO STA. 11+522.5

DETAIL A
STA. 11+120 TO STA. 11+130 (LT)

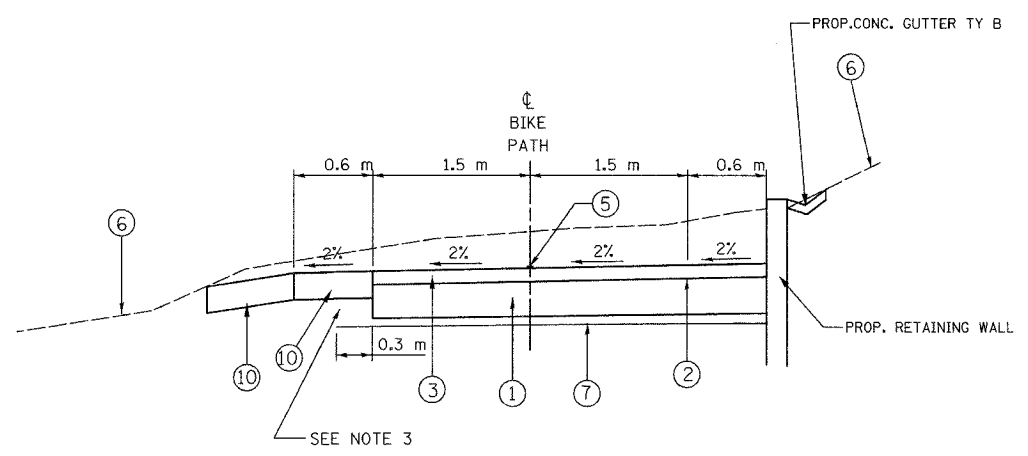


PROPOSED TYPICAL SECTION
STA. 12+548 TO STA. 12+578
STA. 12+523 TO STA. 12+548 (BRIDGE)

* FOR SPECIAL DITCH DETAILS SEE CROSS SECTIONS



PROPOSED TYPICAL SECTION
STA. 11+522.5 TO STA. 12+130
STA. 12+165 TO STA. 12+523
STA. 13+578 TO STA. 13+012



PROPOSED TYPICAL SECTION
STA. 12+130 TO STA. 12+165

ITEM	AC TYPE	VOIDS	RAP %	USAGE
BITUMINOUS CONCRETE SURFACE COURSE, SUPERPAVE, MIX. C, N50	PG 64-22	4% @ 50 GYR	15%	BIKE PATH SURFACE

DESIGNER USED UNIT WEIGHT 112 LBS/SQ YD/IN (2.39 KG/SM/MM) FOR CALCULATION PURPOSES

- LEGEND:**
- ① AGGREGATE BASE COURSE, TYPE B, 150 mm
 - ② BITUMINOUS PRIME COAT
 - ③ BITUMINOUS CONCRETE SURFACE COURSE, SUPERPAVE MIX "C", N50, 50 mm
 - ④ 150 mm TOP SOIL AND SEEDING CLASS 4A
 - ⑤ PAINT PAVEMENT MARKING, 100 mm YELLOW
 - ⑥ EXISTING GROUND
 - ⑦ GEOTECHNICAL FABRIC FOR GROUND STABILIZATION
 - ⑧ PRECAST BLOCK RETAINING WALL
 - ⑨ EXISTING SIDEWALK TO BE REMOVED
 - ⑩ 150 mm TOP SOIL AND SEEDING, CLASS 1 B
 - ⑪ EARTH EXCAVATION
 - ⑫ SUITABLE EMBANKMENT MATERIAL (NO TOPSOIL)
 - ⑬ LIMESTONE SCREENINGS 50 mm
 - ⑭ 150 mm TOP SOIL AND SALT TOLERANT SODDING
 - ⑮ PCC SIDEWALK PAVEMENT 150 mm
 - ⑯ AGGREGATE BASE COURSE, TYPE B, 100 mm

REVISIONS		
NO.	NAME	DATE

URS 1701 GOLF ROAD, SUITE 1000 TEL (847) 228-0707
ROLLING MEADOWS, IL 60008 FAX (847) 228-1115

VILLAGE OF ADDISON
SALT CREEK GREENWAY TRAIL
TYPICAL SECTIONS

DATE: 7/18/05 DRAWN BY: MIA&VP
DESIGNED BY: MIA CHECKED BY: DDL