

PLAN



Signature: *[Signature]*
 Current Date: 11/5/04
 License Expires: 11/30/06

"I certify that to the best of my knowledge, information and belief, this railing design is structurally adequate for the design loading shown on the plans. The design is an economical one for the style of structure and complies with the requirements of the current 'AASHTO Standard Specifications for Highway Bridges'."

TOTAL BILL OF MATERIAL

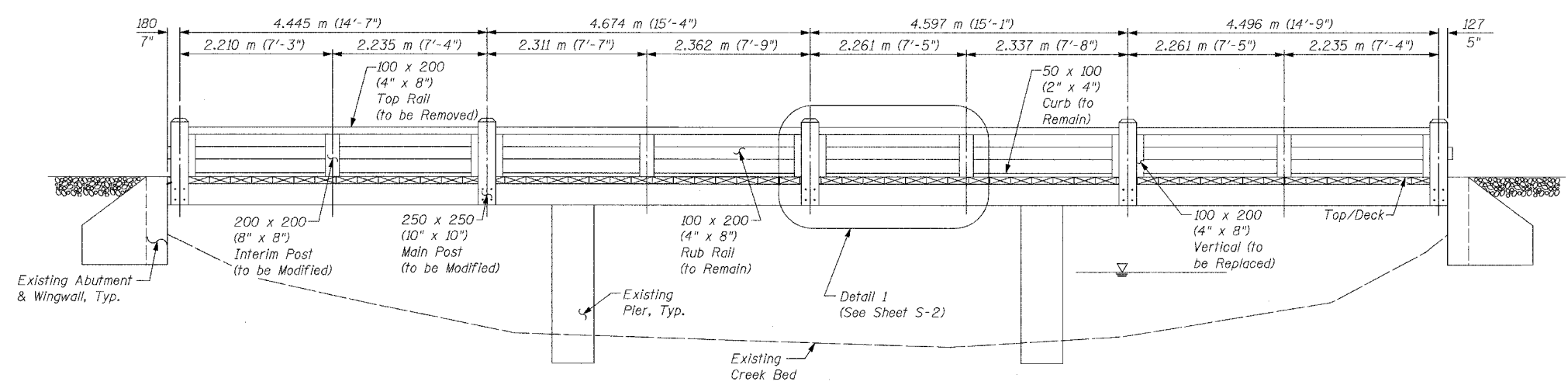
Item	Item	Quantity
Modified Timber Rail	Meter	37

DESIGN SPECIFICATIONS

- 2002 AASHTO Standard Specifications for Highway Bridges, 17th Edition
- Illinois Department of Transportation Standard Specifications for Road & Bridge Construction, adopted January 1, 2002 and Supplemental Specifications and Recurring Special Provisions adopted January 1, 2004.
- AASHTO Guide Specifications for the Design of Pedestrian Bridges, 1997 Edition.

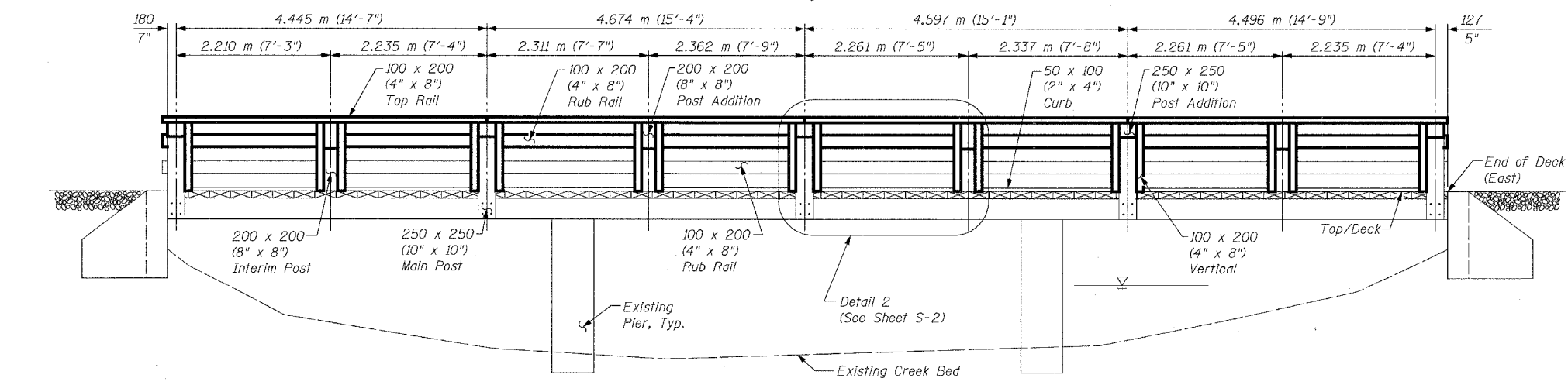
GENERAL NOTES:

- Timber sizes given are dry dressed (nominal) sizes.
- All timber shall be in conformance with Section 1007.03 of the Standard Specifications.
- All timber shall be preserved in accordance with the requirements of Section 1007.12 of the Standard Specifications.
- The Contractor shall paint the new timber railing with a color (brown) and paint type (oil base) to match the existing.
- All dimensions are in millimeters unless otherwise noted.



ELEVATION (EXISTING)

(Looking North)



ELEVATION (PROPOSED)

(Looking North)

SHEET S1 OF S28

REVISIONS		NAME	DATE	URS 1701 GOLF ROAD, SUITE 1000 ROLLING MEADOWS, IL 60008 TEL (847) 228-0707 FAX (847) 228-1115
NO.	DESCRIPTION			
				VILLAGE OF ADDISON SALT CREEK GREENWAY TRAIL BRIDGE RAILING, STA. 9+464.942 PLAN AND ELEVATION
DATE: 11/03/04		DESIGNED BY: MDS		DRAWN BY: MDS CHECKED BY: GAT