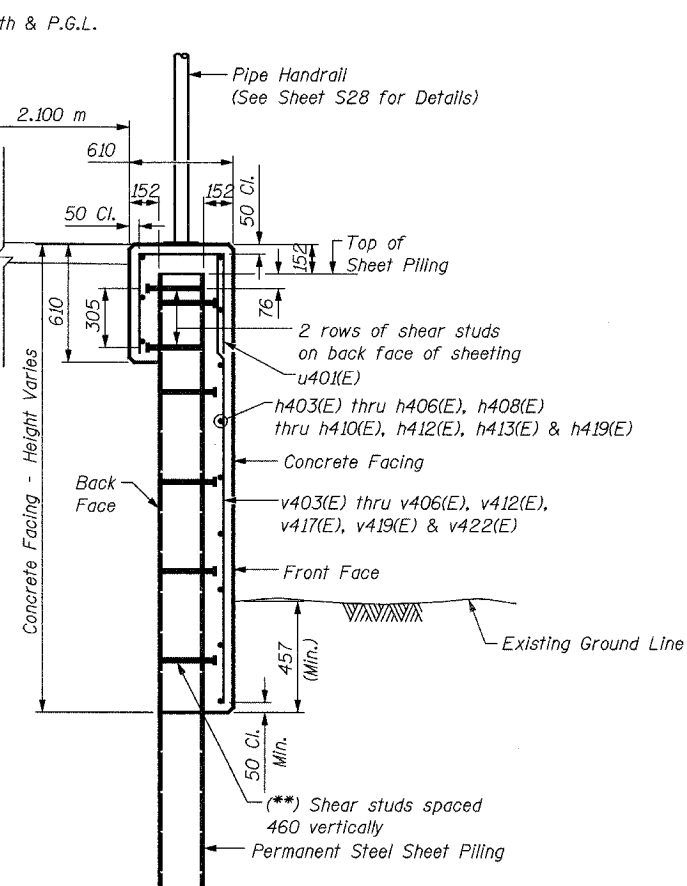
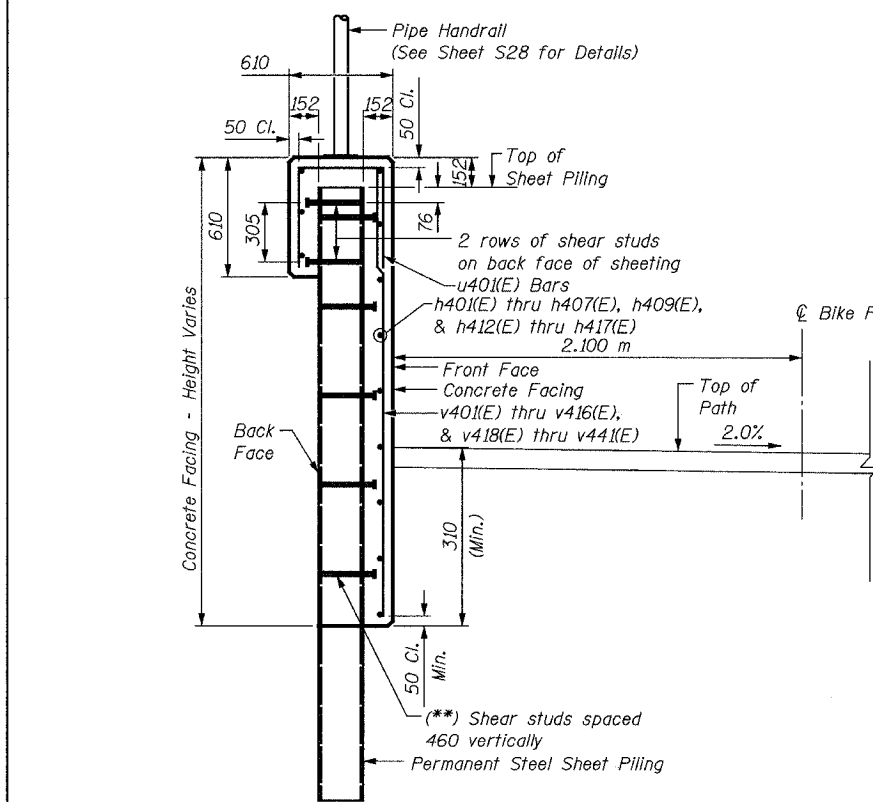


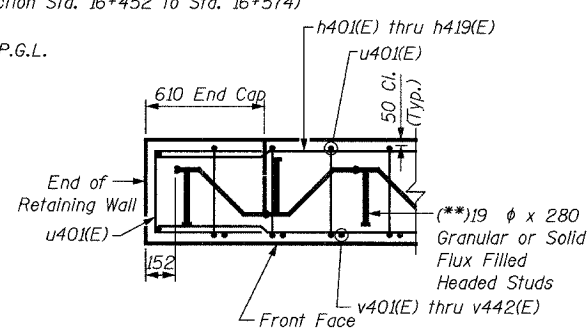
SECTION THRU WEST WALL
(Section Sta. 16+497 to Sta. 16+529)



SECTION THRU EAST WALL
(Section Sta. 16+452 to Sta. 16+574)

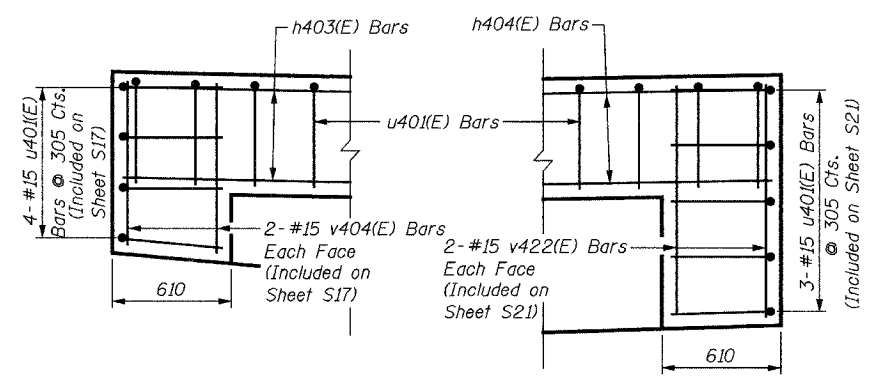


SECTION THRU WEST WALL
(Section Sta. 16+425 to Sta. 16+497)
(Section Sta. 16+529 to Sta. 16+690)

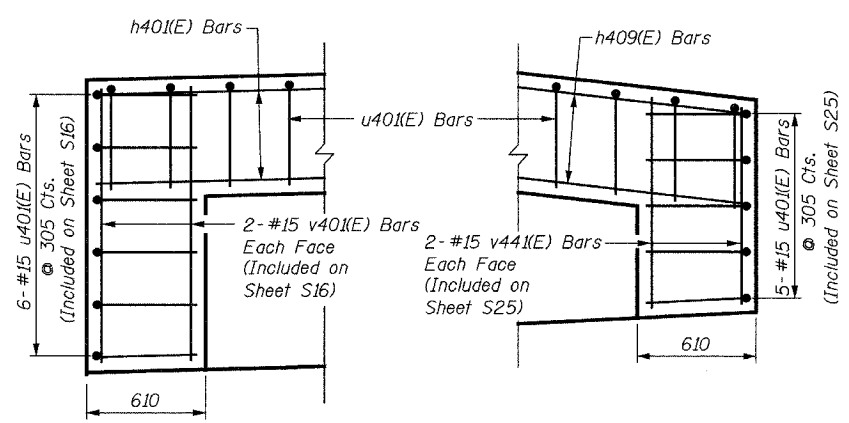


SECTION THRU CAP

SECTION THRU WALL



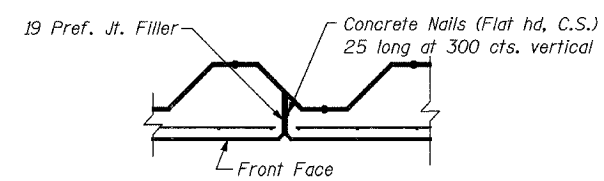
END CAP WALL DETAILS - EAST WALL



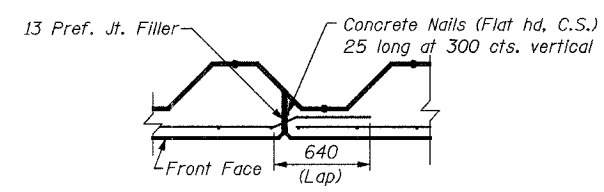
END CAP WALL DETAILS - WEST WALL

() NOTE:**
Shear Studs shall be 19 dia. x 208 Granular or Solid Flux Filled Headed Studs conforming to 505.08 (m) of the Standard Specifications automatically end welded, in the field to Sheet Piling. The cost of the studs is included in the cost of PERMANENT STEEL SHEET PILING.

NOTES:
See Sheet S16 for Notes.



EXPANSION JOINT DETAIL



CONSTRUCTION JOINT DETAIL

SHEET S26 of S28

REVISIONS		NAME	DATE
NO.	DESCRIPTION		

URS 1701 GOLF ROAD, SUITE 1000 TEL (847) 228-0707
ROLLING MEADOWS, IL 60008 FAX (847) 228-1115

VILLAGE OF ADDISON
SALT CREEK GREENWAY TRAIL
RET. WALL STA. 16+425 TO 16+690
DETAILS

DATE: 06/30/05 DRAWN BY: MDS
DESIGNED BY: MDS CHECKED BY: GAT