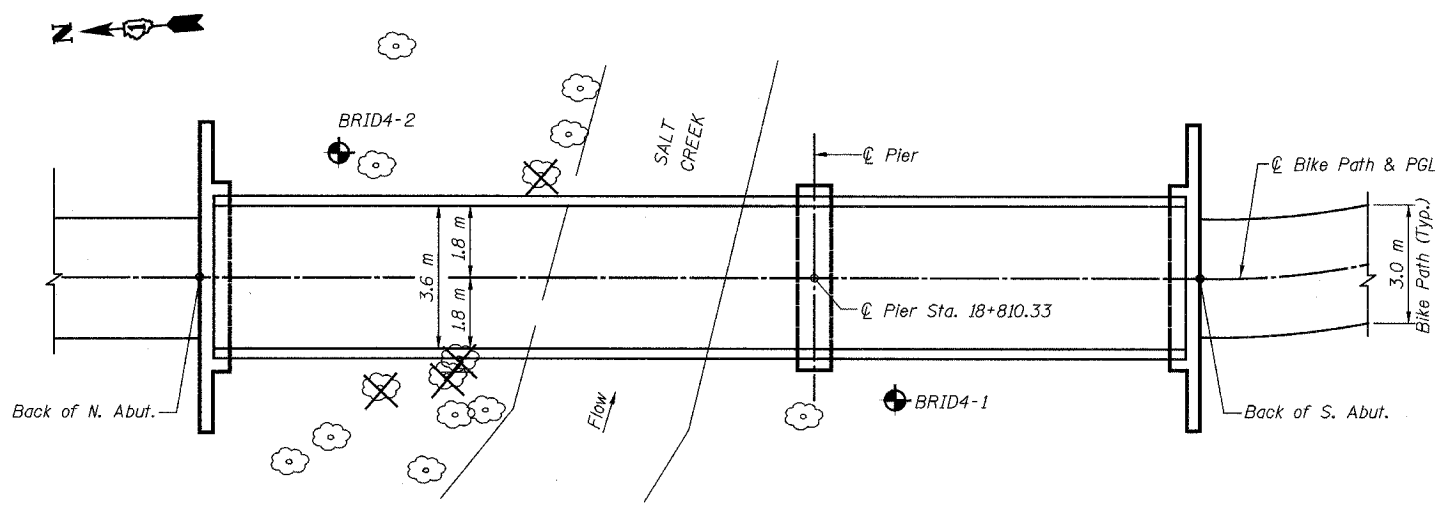


ELEVATION OF BRIDGE OVER SALT CREEK (WEIGH STATION)
(Looking East)



PLAN



Signature: *[Signature]*
Current Date: 7/2/05
License Expires: 11/30/06

"I certify that to the best of my knowledge and belief, this bridge design is structurally adequate for the design loading shown on the plans. The design is an economical one for the style of structure and complies with the requirements of the current 'AASHTO Standard Specifications for Highway Bridges'."

SEISMIC DATA

Seismic Performance Category (SPC) = A
Bedrock Acceleration Coefficient (A) = 0.04g
Site Coefficient (S) = 1.0

LEGEND

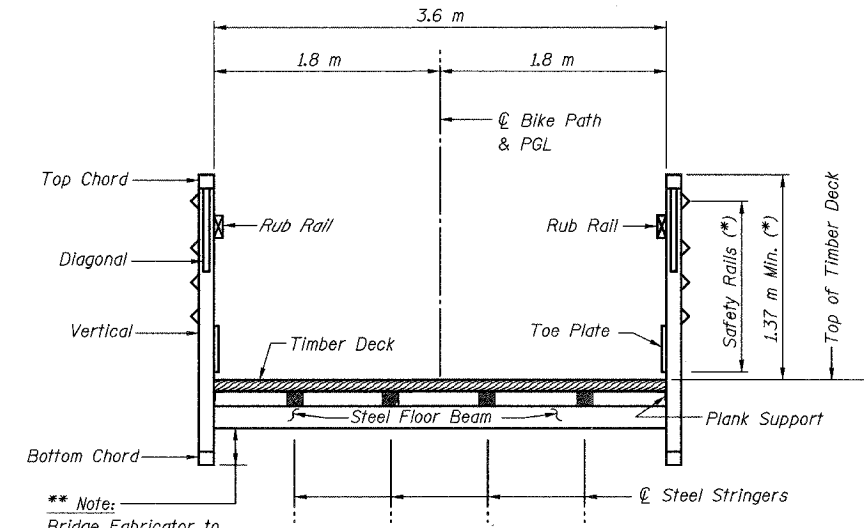
- Tree to Remain
- Tree to Be Removed
- Soil Boring

LOADING

Live Loading + Impact
4100 N/Sq. M Live Load
(May be adjusted for influence area)
50 kN Vehicle Load (MS-5 Truck)

DESIGN STRESSES

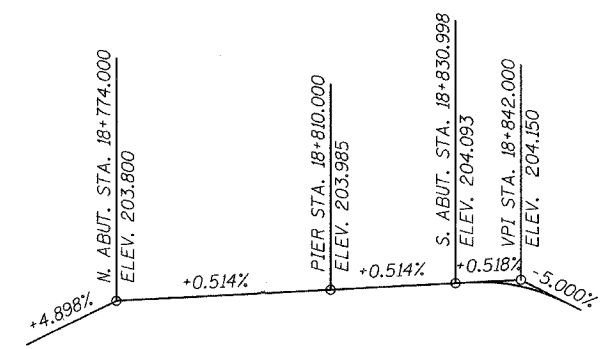
$f'_c = 24 \text{ MPa}$
 $f_y = 400 \text{ MPa (Reinf.)}$



** Note:
Bridge Fabricator to adjust depth so that bottom chord elevation is above high water elevation

TYPICAL CROSS SECTION

(*) Note:
If the top of the top chord is greater than 1.37 m above the top of deck, a second rub rail shall be placed at 1.37 m above top of deck.



PROFILE GRADE

TOTAL BILL OF MATERIAL

| Item | Unit | Total |
|----------------------------------|-------|-------|
| Structure Excavation | Cu. M | 32 |
| Concrete Structures | Cu. M | 19.6 |
| Reinforcement Bars, Epoxy Coated | kg | 1370 |
| Pedestrian Bridge Superstructure | Sq. M | 204 |
| Furnishing Steel Piles HP310x79 | Meter | 88 |
| Driving Steel Piles | Meter | 88 |
| Test Pile Steel HP310x79 | Each | 1 |
| Metal Shoes | Each | 8 |

GENERAL NOTES:

- The superstructure, including all truss members, railings, toe plates, bearings, wood deck, and all attachments on superstructure, shall be designed and detailed by the Contractor.
- Reinforcement bars shall conform to the requirements of AASHTO M 31M, M 42M, or M 53M Grade 400.
- Bearing seat surfaces shall be constructed or adjusted to the designated elevations within a tolerance of 3 mm. Adjustment shall be made either by grinding the surface or by shimming the bearing. Two 3 mm adjusting shims, of the dimensions of the bottom bearing plate, shall be provided for each bearing in addition to all other plates or shims.
- The Contractor shall drive one (1) test pile in the permanent location at the North Abutment (center pile of group) as directed by the Engineer before ordering the remainder of the piles.
- The profile of the structure shall be as shown, and as specified in the Special Provisions for camber.
- The Contractor shall verify the final location of anchor bolts with the Bridge Manufacturer prior to construction and placement.
- All dimensions are in millimeters (mm) except as noted.
- For Soil Boring Logs, see Special Provisions.

SHEET S11 of S33

DESIGN SPECIFICATIONS

2002 AASHTO Standard Specifications for Highway Bridges, 17th Edition
Illinois Department of Transportation Standard Specifications for Road & Bridge Construction, Adopted January 1, 2002 and Supplemental Specifications and Recurring Special Provisions adopted January 1, 2004.
AASHTO Guide Specifications for the Design of Pedestrian Bridges, 1997 Edition.

CLASSIFICATION

Pedestrian/Bicycle Bridge

| REVISIONS | | NAME | DATE |
|-----------|-------------|------|------|
| NO. | DESCRIPTION | | |
| | | | |
| | | | |
| | | | |
| | | | |
| | | | |
| | | | |
| | | | |
| | | | |
| | | | |

URS 1701 GOLF ROAD, SUITE 1000 TEL (847) 228-0707
ROLLING MEADOWS, IL 60008 FAX (847) 228-1115

VILLAGE OF OAKBROOK
**SALT CREEK GREENWAY TRAIL
PEDESTRIAN BRIDGE, STA. 18+802.5
GENERAL PLAN AND ELEVATION**

DATE: 06/30/05
DESIGNED BY: MDS
DRAWN BY: MDS
CHECKED BY: GAT