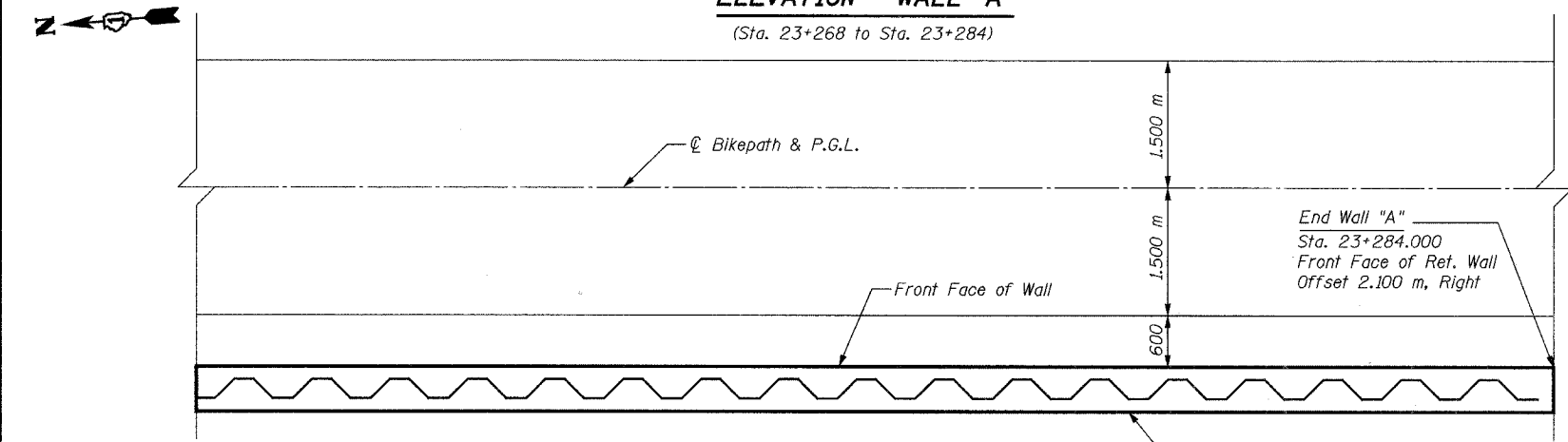
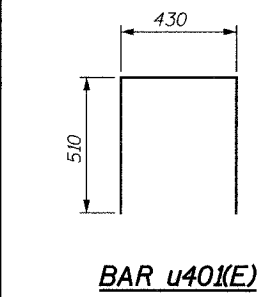


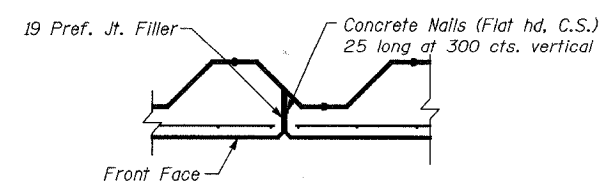
ELEVATION - WALL "A"
(Sta. 23+268 to Sta. 23+284)



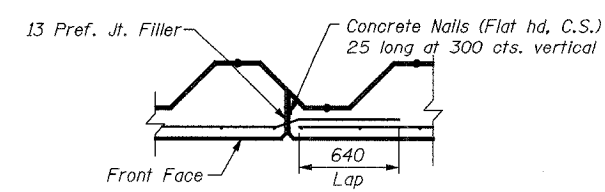
PLAN - WALL "A"
(Sta. 23+268 to Sta. 23+284)
(Reinforcement Omitted for Clarity)



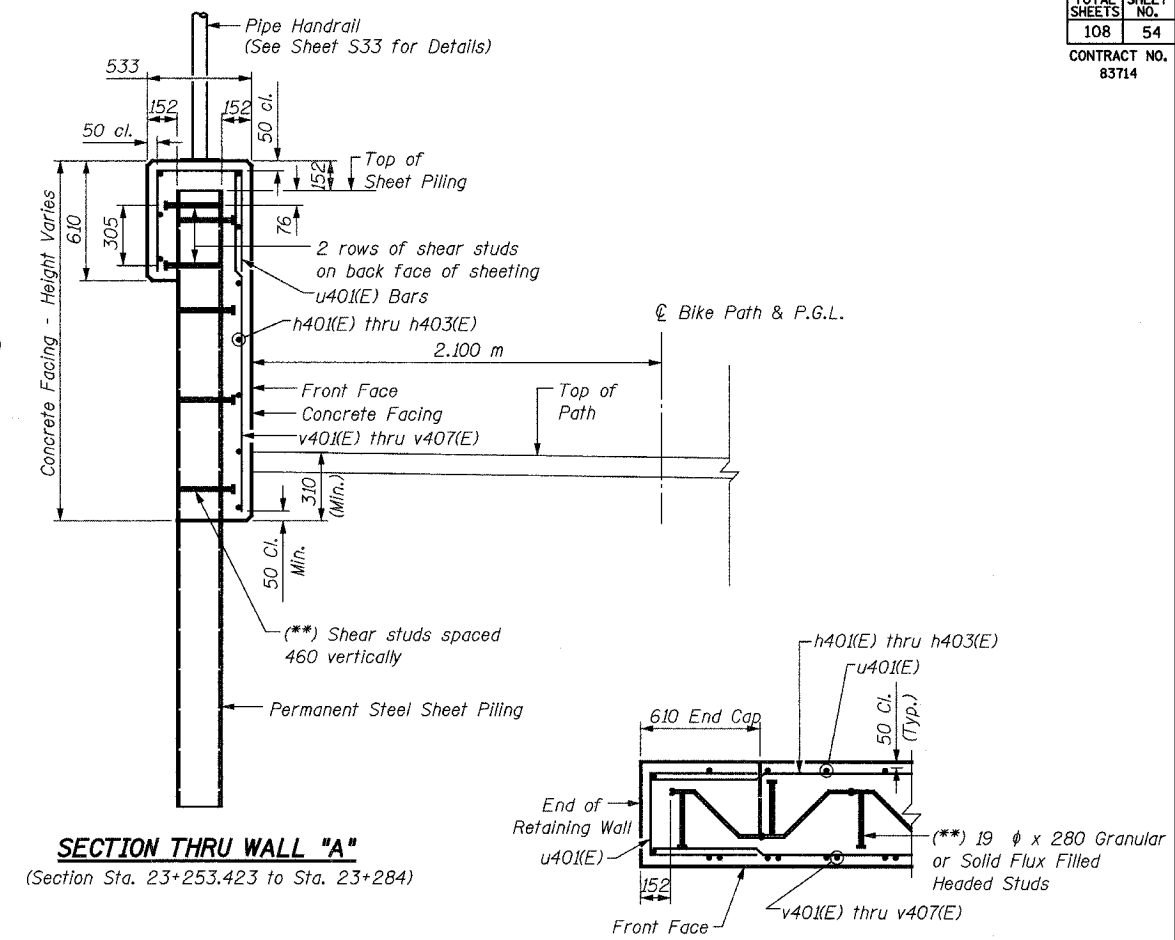
BAR u401(E)



EXPANSION JOINT DETAIL



CONSTRUCTION JOINT DETAIL



SECTION THRU WALL "A"
(Section Sta. 23+253.423 to Sta. 23+284)

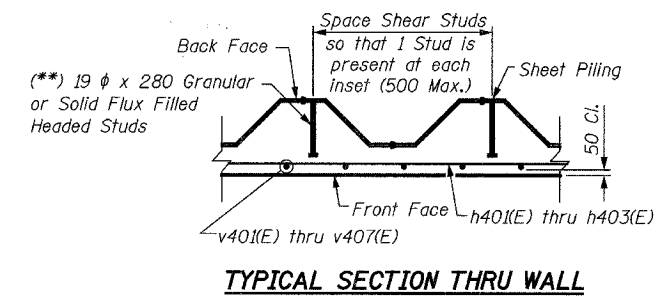
SECTION THRU CAP

() NOTE:**

Shear Studs shall be 19 dia. x 208 Granular or Solid Flux Filled Headed Studs conforming to 505.08 (m) of the Standard Specifications automatically end welded in the field to Sheet Piling. The cost of the studs is included in the cost of PERMANENT STEEL SHEET PILING.

BILL OF MATERIAL

Bar	No.	Size	Length	Shape
h402(E)	12	#15	8.64 m	—
h403(E)	12	#15	7.90 m	—
u401(E)	63	#15	1.45 m	□
v405(E)	14	#15	2.35 m	—
v406(E)	27	#15	2.62 m	—
v407(E)	15	#15	1.92 m	—
Concrete Structures		Cu. M	12.0	
Reinforcement Bars, Epoxy Coated		kg	670	
Structure Excavation		Cu. M	9	
Permanent Steel Sheet Piling		Sq. M	84	
Pipe Handrail		Meter	16	



TYPICAL SECTION THRU WALL

NOTES:

For notes see Sheet S18.

SHEET S19 of S33

REVISIONS		NAME	DATE
NO.	DESCRIPTION		

URS 1701 GOLF ROAD, SUITE 1000 TEL (847) 228-0707
ROLLING MEADOWS, IL 60008 FAX (847) 228-1115

VILLAGE OF OAKBROOK
SALT CREEK GREENWAY TRAIL
WALL "A", STA. 23+268 TO
STA. 23+284, PLAN & ELEVATION

DATE: 06/30/05
DESIGNED BY: MDS
DRAWN BY: MDS
CHECKED BY: GAT