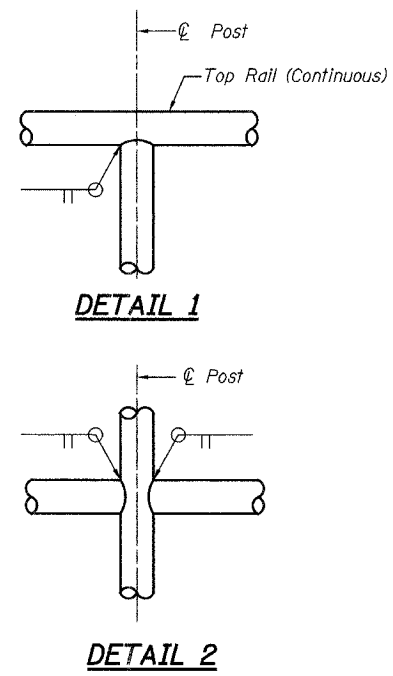
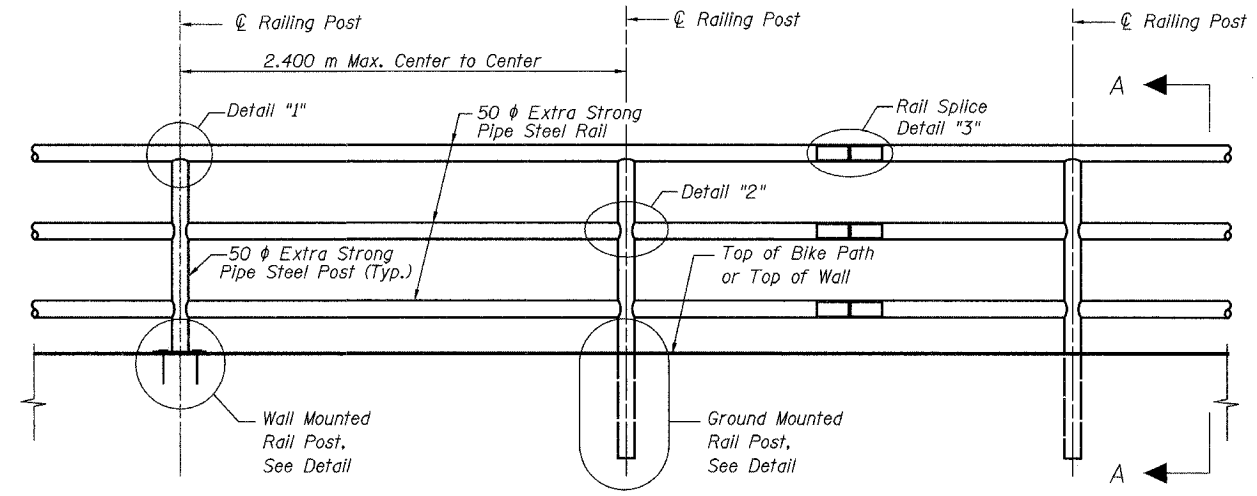


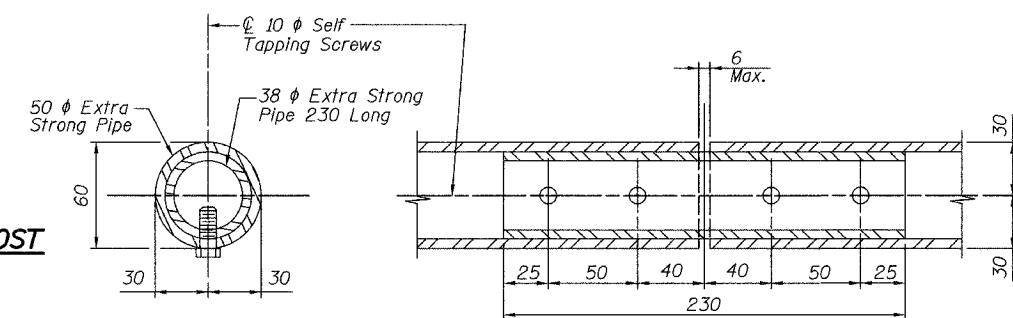
DETAIL - GROUND MOUNTED RAIL POST DETAIL - WALL MOUNTED RAIL POST



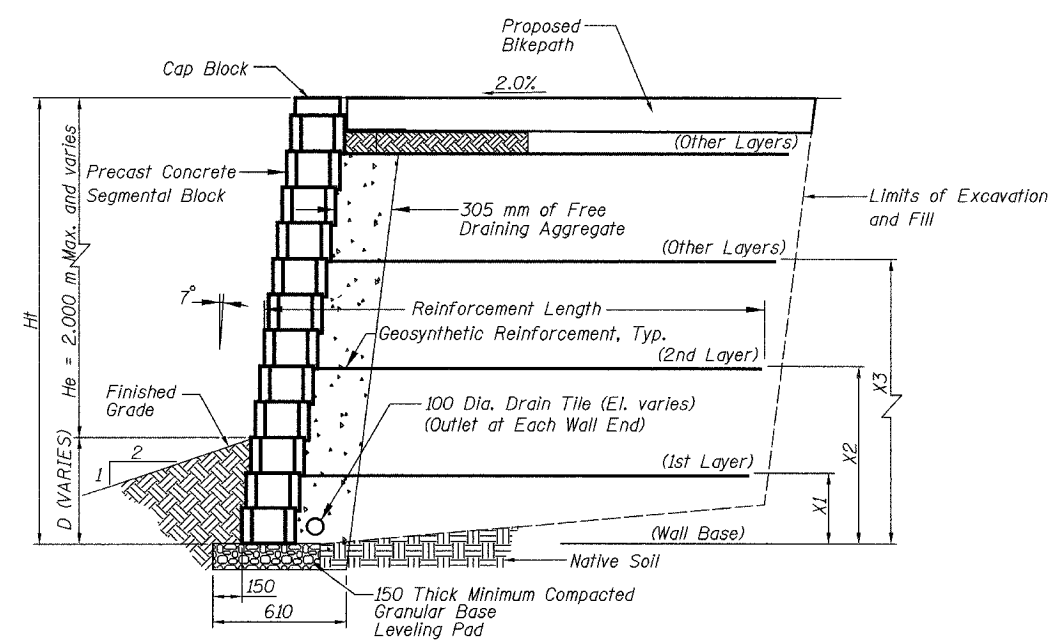
DETAIL 1  
DETAIL 2



TYPICAL PIPE HANDRAIL ELEVATION

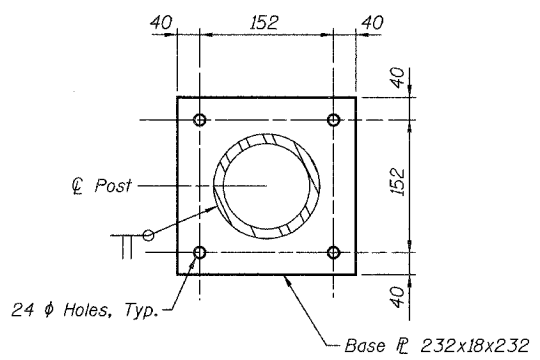


DETAIL 3 - RAIL SPLICE

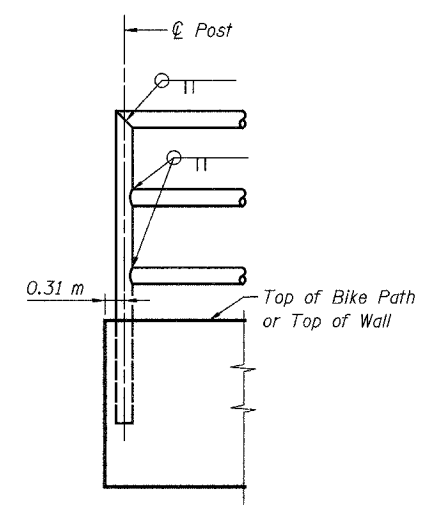


TYPICAL SECTION THROUGH SEGMENTAL CONCRETE BLOCK WALL

Note: Hf, X1, X2 and X3 to be determined by Fabricator



SECTION B-B



ELEVATION SHOWING END POST

NOTES:

- The Contractor shall submit design, construction plans with material information, and shop drawings, including connection details, signed by a Structural Engineer licensed in the state of Illinois to the Engineer for approval before ordering materials.
- Segmental Concrete Block Wall shall be designed to resist equivalent fluid pressure = 6.3 kN/Cu. M.
- Design of the Segmental Concrete Block Wall shall be in compliance with the guidelines for the design of mechanically stabilized earth walls as developed by AASHTO-AGC-ARTA Joint Committee Task Force 27 Ground Modification Systems.
- Railing shall be according to Section 509 of the Standard Specifications, except as noted, and will be paid for at the contract unit price per meter.
- Hollow structural steel tubing shall conform to the requirements of ASTM designation A 500, Grade B, Structural Steel Tubing.
- All other steel shapes and plates shall conform to the requirements of AASHTO M-270M, Grade 345.
- All posts, railing, splices, anchor devices, and bent plates shall be galvanized after shop fabrication according to AASHTO M-111 and ASTM A-385. All bolts, nuts and washers shall be galvanized according to AASHTO M-232 except stainless steel bolts as noted.
- Vent holes for galvanizing shall be placed in the posts and rails at locations that will not allow the accumulation of moisture in the members.
- Rail to match horizontal profile of bikepath.

SHEET S33 of S33

| REVISIONS |             | NAME | DATE |
|-----------|-------------|------|------|
| NO.       | DESCRIPTION |      |      |
|           |             |      |      |
|           |             |      |      |
|           |             |      |      |
|           |             |      |      |
|           |             |      |      |
|           |             |      |      |
|           |             |      |      |
|           |             |      |      |
|           |             |      |      |

**URS**

1701 GOLF ROAD, SUITE 1000  
ROLLING MEADOWS, IL 60008

TEL (847) 228-0707  
FAX (847) 228-1115

VILLAGE OF OAKBROOK

**SALT CREEK GREENWAY TRAIL**

TYPICAL SEGMENTAL CONCRETE  
BLOCK WALL DETAILS

DATE: 06/30/05  
DESIGNED BY: MDS

DRAWN BY: MDS  
CHECKED BY: GAT