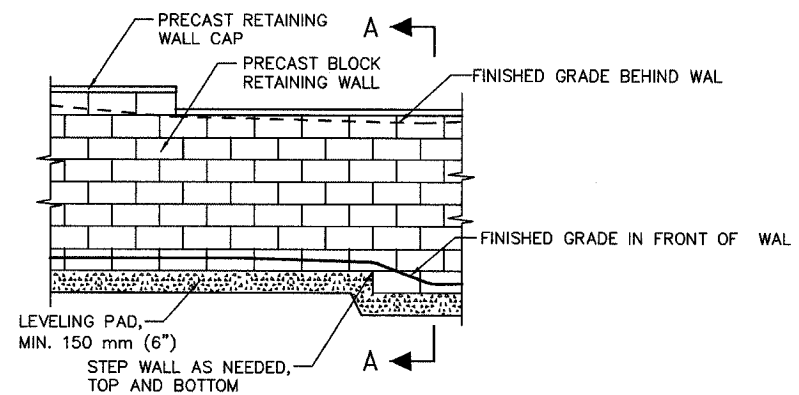
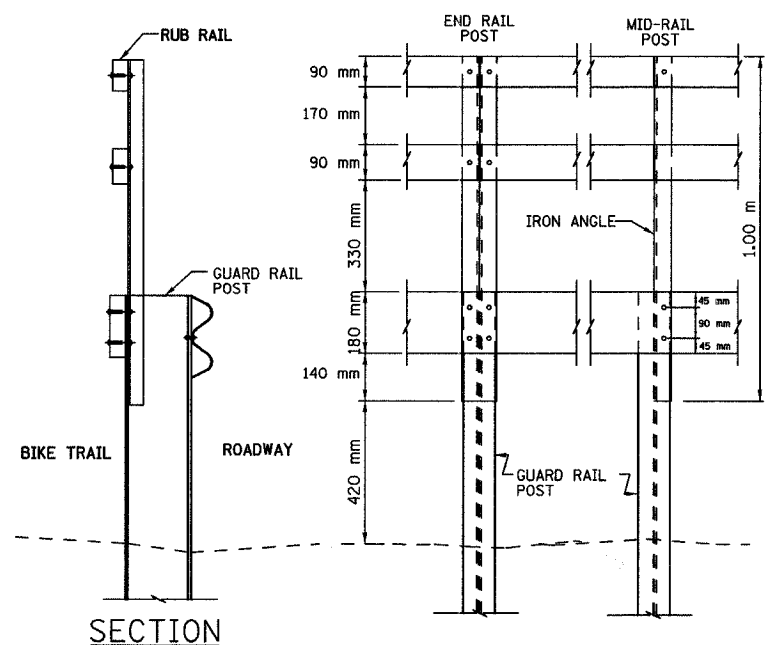


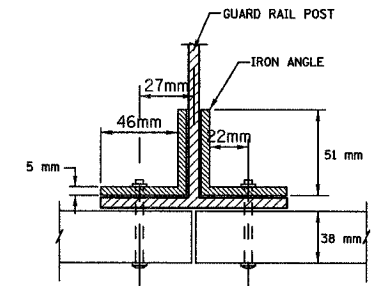
SECTION	COUNTY	TOTAL SHEETS	SHEET NO.
94-F3000-05-BT	COOK	102	68
STA. TO STA.			
PROJECT NO. TE-D001 (610)			
CENTENNIAL TRAIL			
CONTRACT NO. 83859			



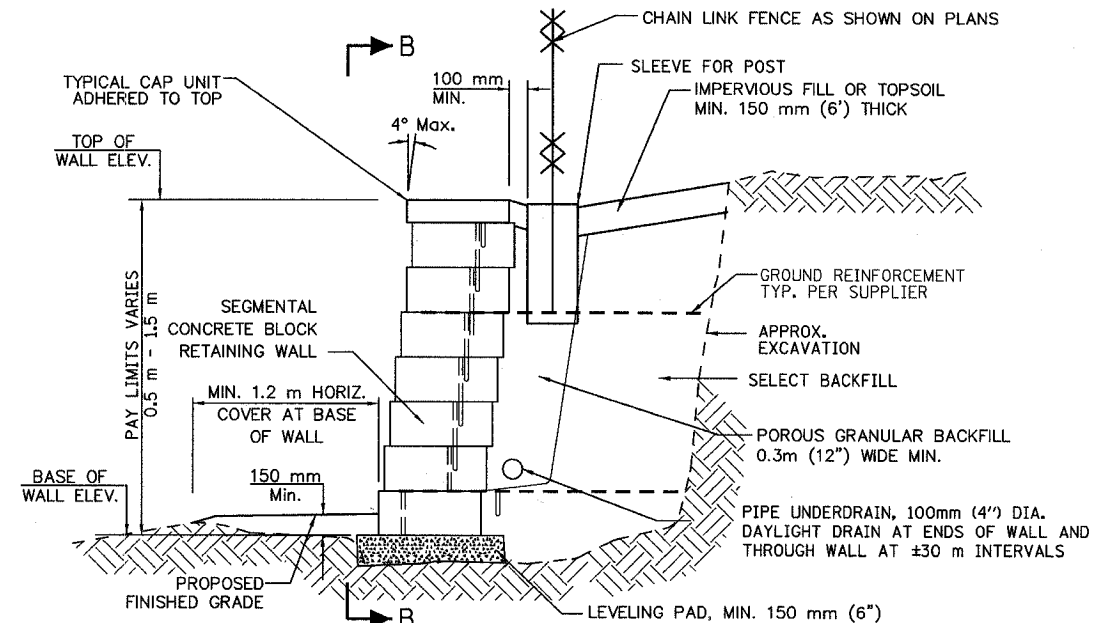
**SECTION B-B
ELEVATION**



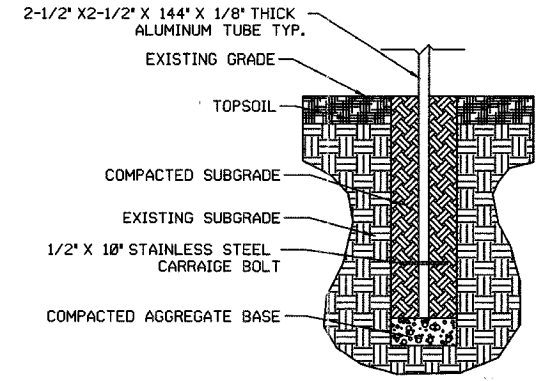
RUB RAIL ASSEMBLY DETAIL
NOTE: RAILS EXTEND 2 SPANS OF STEEL GUARD RAIL POSTS
N.T.S.



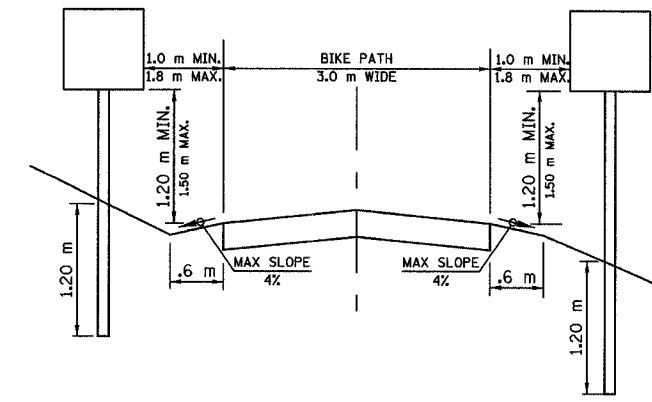
**POST BOLT & NUT
PER STD. 630001-04**



**SECTION A-A
SEGMENTAL CONCRETE BLOCK
RETAINING WALL DETAIL**
N.T.S.



SIGN BASE DETAIL
N.T.S.



SIGN PLACEMENT DETAIL
N.T.S.

NOTES

- THE CONTRACTOR SHALL SUBMIT DESIGN, CONSTRUCTION PLANS WITH MATERIAL INFORMATION & SHOP DRAWINGS FOR CONNECTION DETAILS SIGNED BY A STRUCTURAL ENGINEER LICENSED IN THE STATE OF ILLINOIS TO THE ENGINEER FOR APPROVAL BEFORE ORDERING MATERIALS.
- RETAINING WALL EQUIVALENT FLUID PRESSURE = 50(PCF)
- REINFORCING BARS SHALL BE GRADE 60
- GROUT MORTAR, $f'_m = 2500$ psi (MIN.)
- THE DESIGN OF THE RETAINING WALL SHALL BE IN COMPLIANCE WITH THE GUIDELINES FOR THE DESIGN OF MECHANICALLY STABILIZED EARTH WALLS AS DEVELOPED BY AASHTO-AGC-ARTA JOINT COMMITTEE TASK FORCE 27 GROUND MODIFICATION SYSTEMS.
- EXCAVATION, LEVELING PAD, BACKFILL, PIPE UNDERDRAIN, GROUND REINFORCEMENT, GROUND RESTORATION, AND SEEDING OF RESTORED GROUND ARE INCLUDED IN COST OF CONCRETE BLOCK RETAINING WALL.
- INSTALL CHAIN LINK FENCE POST SLEEVE DURING RETAINING WALL CONSTRUCTION TO PREVENT DAMAGE TO GROUND REINFORCEMENT.

SEGMENTAL CONCRETE BLOCK RETAINING WALLS SITING DATA	STATION	TOP OF WALL ELEV, M	BASE OF WALL ELEV, M	WALL HEIGHT, M
WALL AT BNSF BRIDGE 24.7	2+655.5	179.80	178.90	0.90
	2+675	179.80	178.50	1.30
	2+685	179.80	178.50	1.30
WALL AT BNSF WILLOW SPRINGS YARD	16+930	181.93	180.83	1.10
	16+950	181.93	180.23	1.70
	16+975	181.93	179.83	2.10
	17+000	181.93	179.83	2.10
	17+025	182.13	179.83	2.30
	17+050	182.73	181.03	1.70
	17+060	182.73	181.83	0.90

REVISIONS		
NO.	NAME	DATE

URS 100 S. WACKER DR., SUITE 500 TEL (312)-939-1000
CHICAGO, IL 60606 FAX (312)-939-4198

FOREST PRESERVE DISTRICT OF COOK COUNTY
CENTENNIAL TRAIL

MISCELLANEOUS DETAILS

DATE: 10/20/06 DRAWN BY: VAP
DESIGNED BY: DIH CHECKED BY: DDL