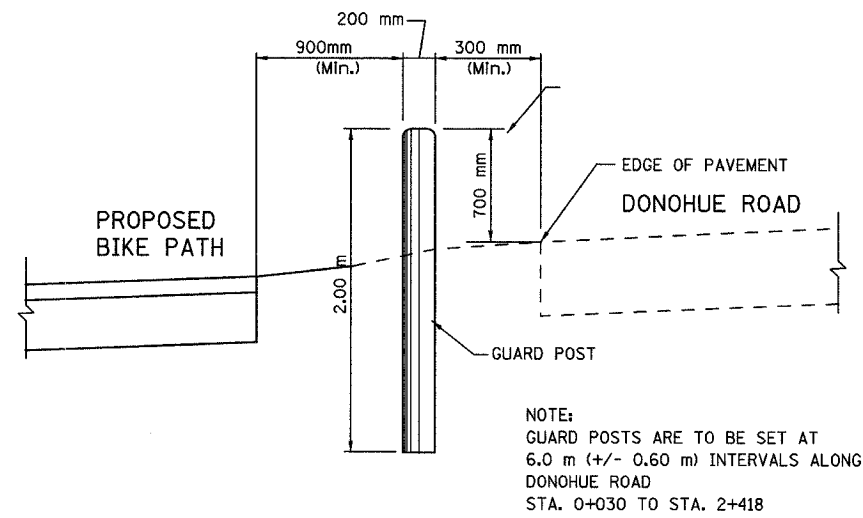
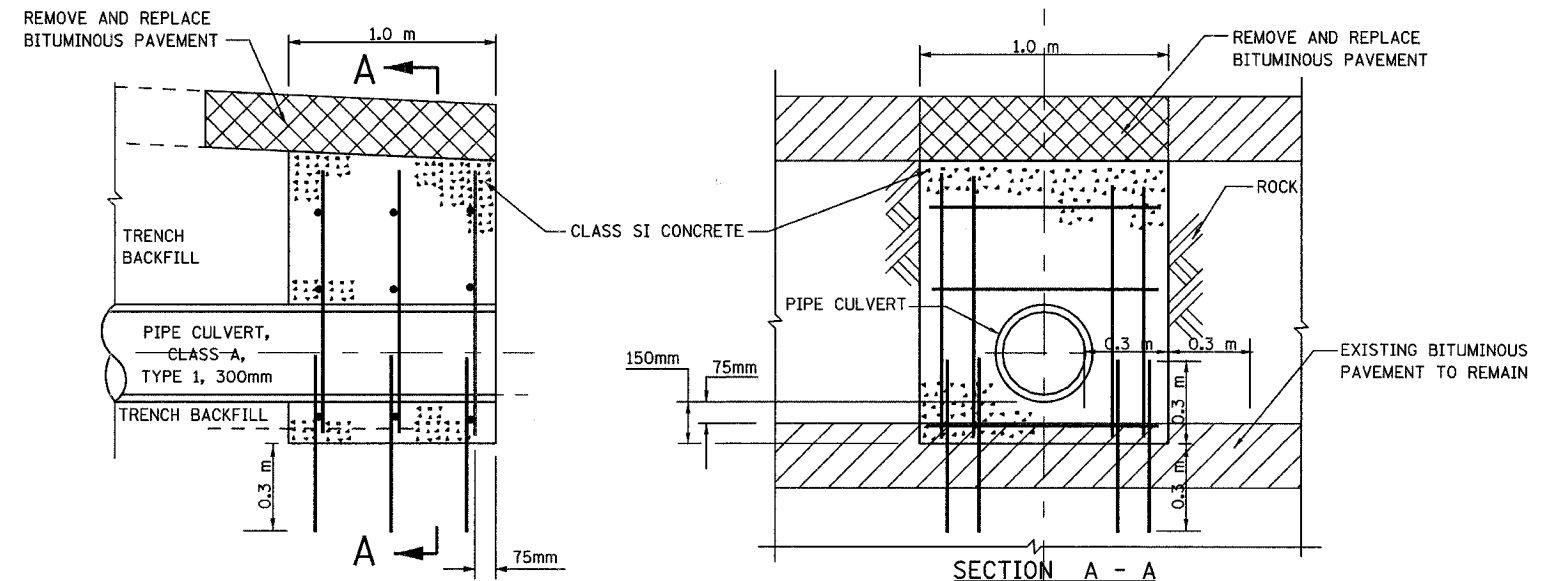


SECTION	COUNTY	TOTAL SHEETS	SHEET NO.
94-F3000-05-BT	COOK	102	69
STA. TO STA.			
PROJECT NO. TE-0001 (610)			
CENTENNIAL TRAIL			
CONTRACT NO. 83859			



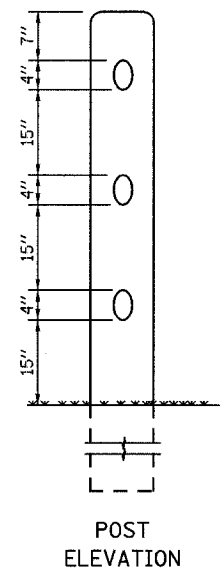
GUARD POST DETAIL
N.T.S.



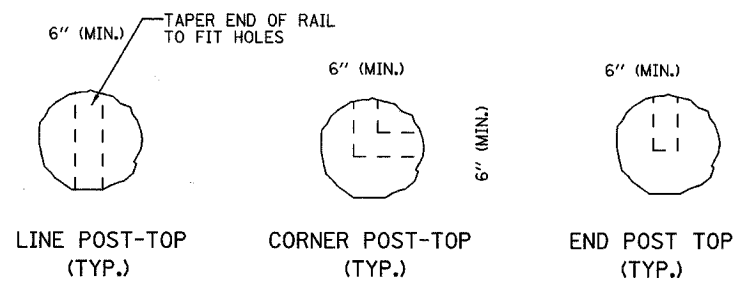
CROSS SECTION

DRILL AND GROUT 600mm #15 STEEL DOWELS W/300mm ± EMBEDMENT
#15 STEEL REINFORCEMENT BARS AT MINIMUM 300mm ± VERTICAL
AND HORIZONTAL SPACING WITH MIN. 50mm COVER.
ALL STEEL DOWELS AND REINFORCEMENT BARS SHALL BE EPOXY COATED.
ALL REBARS, DRILLING AND GROUTING COSTS INCLUDED
WITH CONCRETE HEADWALL FOR PIPE DRAIN.

CONCRETE HEADWALL FOR PIPE DRAIN
N.T.S.



POST ELEVATION



RUSTIC RAIL FENCE DETAIL
N.T.S.

REVISIONS		
NO.	NAME	DATE

URS 100 S. WACKER DR., SUITE 500 TEL (312)-939-1000
CHICAGO, IL 60606 FAX (312)-939-4198

FOREST PRESERVE DISTRICT OF COOK COUNTY
CENTENNIAL TRAIL

MISCELLANEOUS DETAILS

DATE: 10/20/06 DRAWN BY: VAP
DESIGNED BY: DIH CHECKED BY: DDL