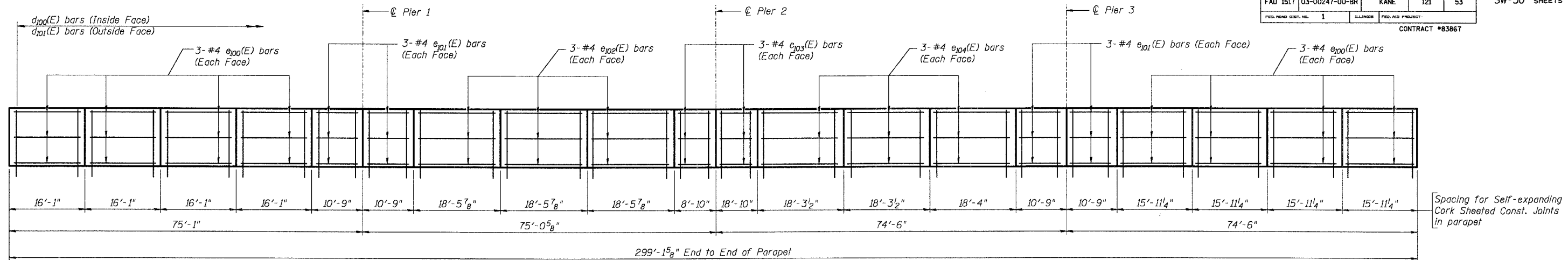


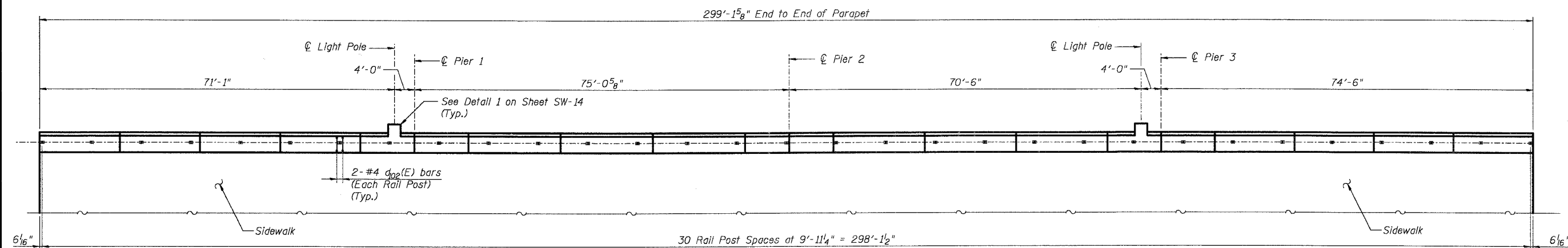
ROUTE NO.	SECTION	COUNTY	SHEETS	SHEET NO.
FAU 1517	03-00247-00-BR	KANE	121	53
FED. ROAD DIST. NO.	1	ILLINOIS	FED. AID PROJECT	

SHEET NO. SW-12
SW-30 SHEETS

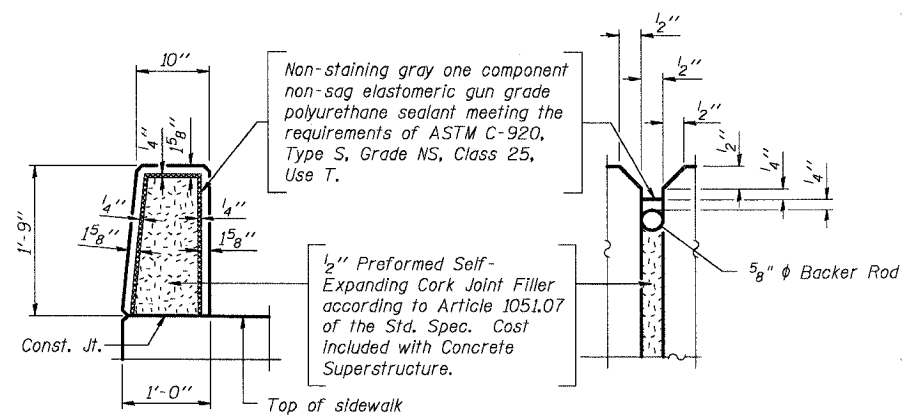
CONTRACT #83867



INSIDE ELEVATION OF NORTH PARAPET



TOP PLAN OF NORTH PARAPET



PARAPET JOINT DETAILS

Notes:

- Work this Sheet with Sheets SW-10, SW-11 & SW-14.
- For parapet railing details see Sheet SW-17.
- For light pole support details see Sheet SW-14.
- For Bill of Material see Sheet SW-11

DESIGNED	AEU
CHECKED	RGD
DRAWN	WJH
CHECKED	NRF

SMITH ENGINEERING CONSULTANTS, INC. CIVIL, STRUCTURAL, ELECTRICAL AND SURVEYORS www.smith-engineering.com 11111 Woodland Drive, Suite 100, Aurora, IL 60011	
REVISIONS	
NAME	DATE

CITY OF AURORA	
SUPERSTRUCTURE DETAILS II	
ILLINOIS AVENUE	
OVER THE FOX RIVER	
SECTION NO. 03-00247-00-BR	
KANE COUNTY	
STRUCTURE NO. 045-6009	
DATE 7-28-2006	