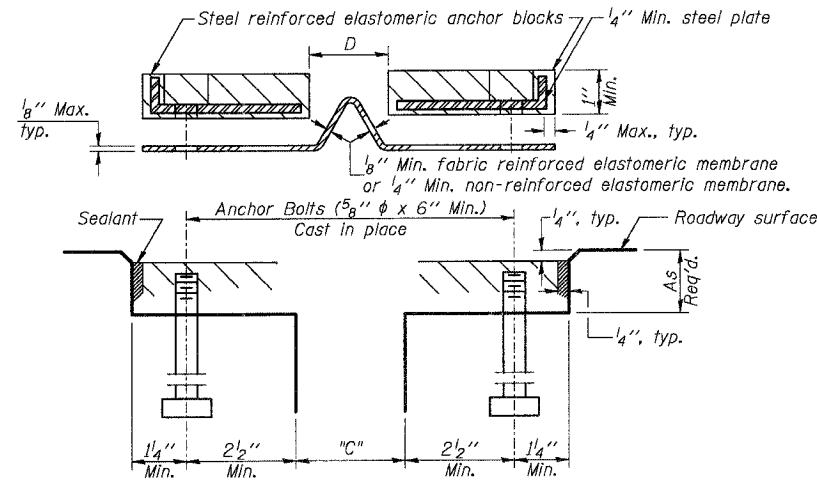


Joint Size	"C" at 50°F	"D" at 50°F
2"	2"	1 1/2" Min.

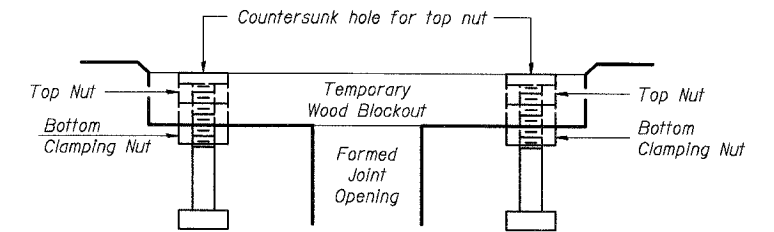
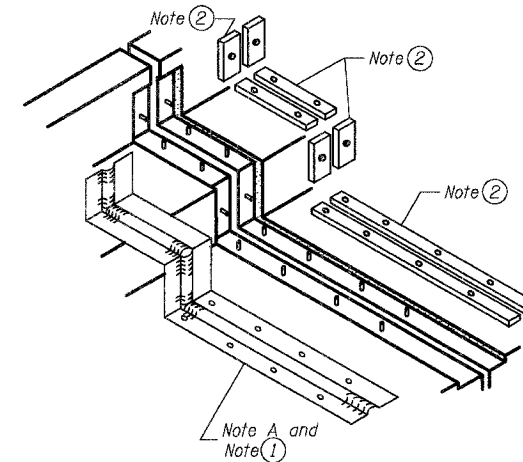
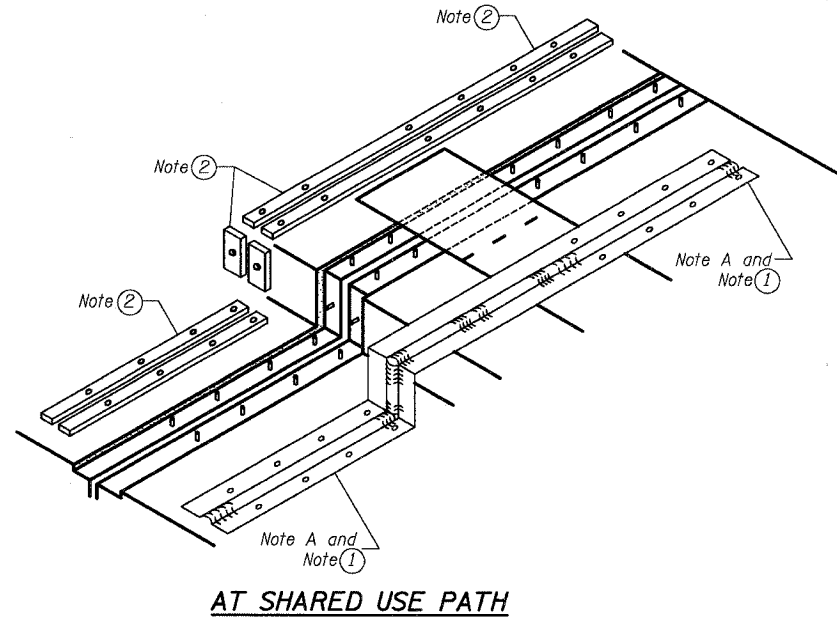
### INSTALLATION NOTES

- ① Install continuous seal in roadway, parapet, curb, and sidewalk.
- ② Install anchor blocks as indicated.

Note A:  
Maximum spacing of anchor bolts shall be 12" centers.

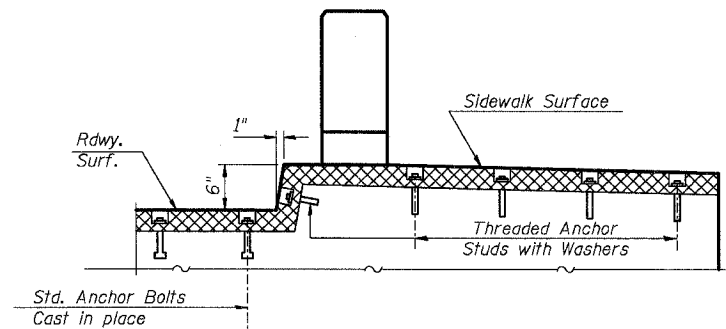


### CROSS SECTION

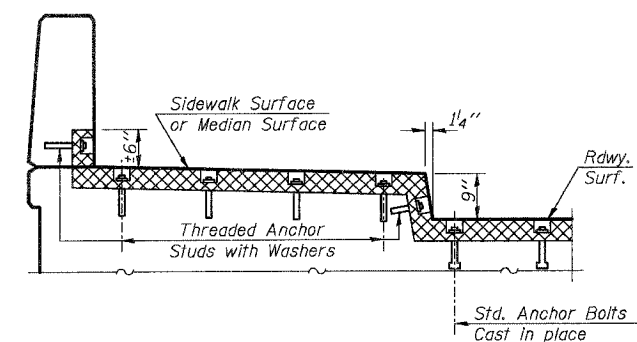


Note:  
Stud needs to be threaded lower to allow for use of clamping nut.

### RECOMMENDED BLOCKOUT DETAIL



### AT SHARED USE PATH TYPICAL END TREATMENTS



### AT SIDEWALK OR MEDIAN TYPICAL END TREATMENTS

### BILL OF MATERIAL

Item	Unit	Quantity
Neoprene Expansion Joint 2"	Foot	152.7

DESIGNED	AEU
CHECKED	RGD
DRAWN	WJH
CHECKED	NRF

SMITH ENGINEERING CONSULTANTS, INC.  
CIVIL, STRUCTURAL, ELECTRICAL AND SURVEYORS  
1111 S. WASHINGTON ST., SUITE 200  
AURORA, ILLINOIS 60007

REVISIONS	
NAME	DATE

CITY OF AURORA  
NEOPRENE EXPANSION JOINTS  
ILLINOIS AVENUE  
OVER THE FOX RIVER  
SECTION NO. 03-00247-00-BR  
KANE COUNTY  
STRUCTURE NO. 045-6009

DATE 7-28-2006