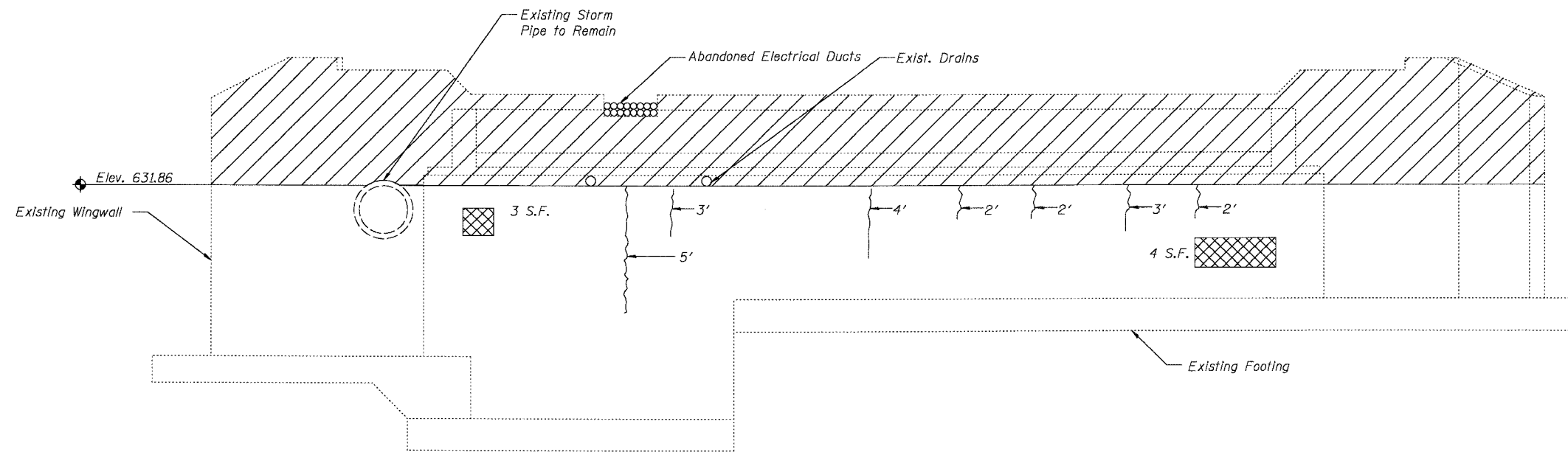
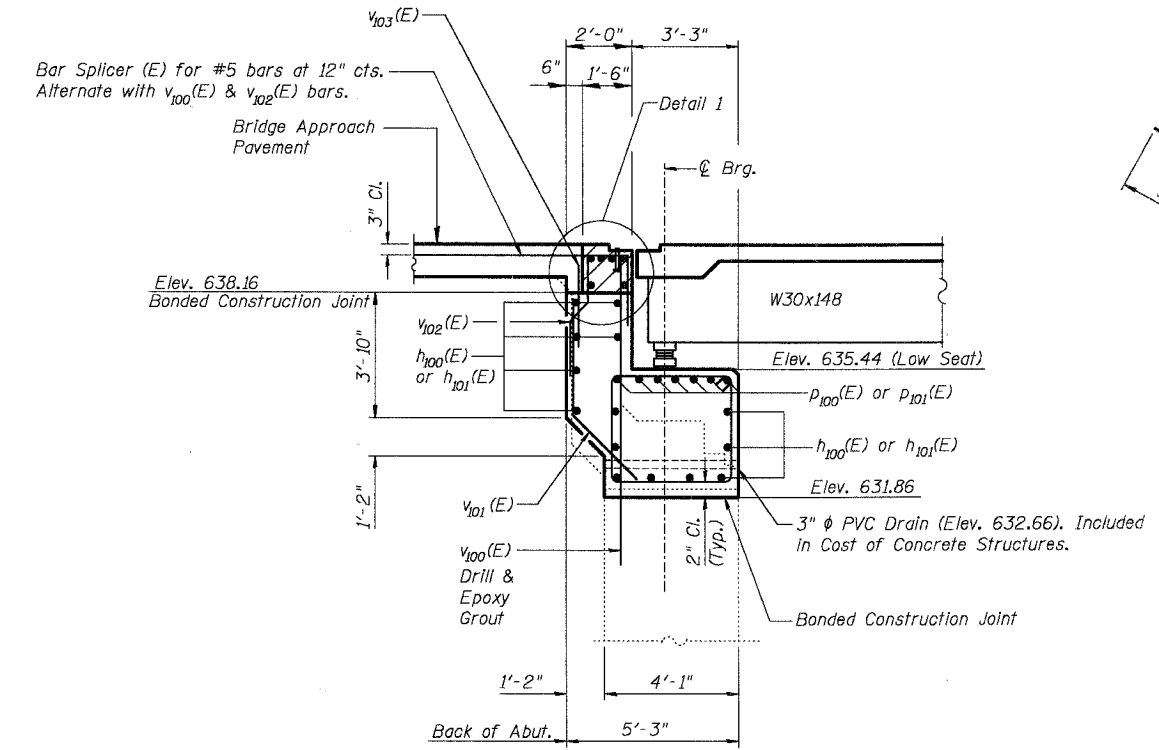


CONTRACT #83867

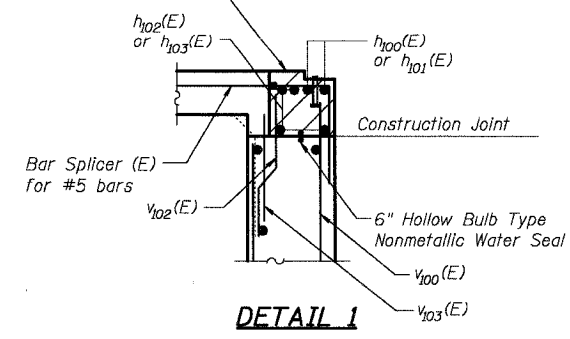


ELEVATION
Looking West



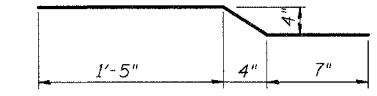
SECTION A-A

Hatched area to be poured after superstructure falsework has been removed. Quantity of concrete included with Concrete Superstructure.

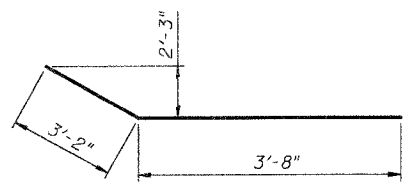


DETAIL 1

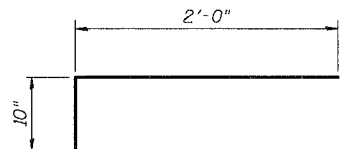
DESIGNED	AEU
CHECKED	RGD
DRAWN	WJH
CHECKED	NRF



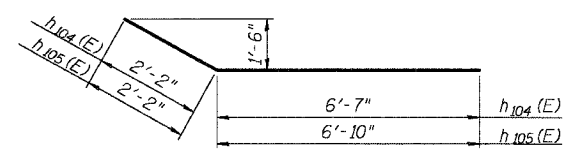
BAR v102(E)



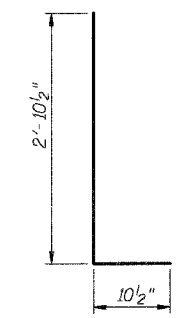
BAR v101(E)



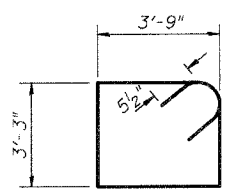
BAR v107(E)



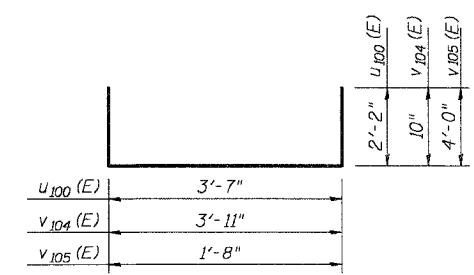
BARS h104(E) & h105(E)



BAR d101(E)



BAR s100(E)



BARS u100(E), v104(E) & v105(E)

LEGEND

- Indicates Concrete Removal Areas
- Indicates Epoxy Crack Sealing
- Indicates Structural Repair of Concrete

BILL OF MATERIAL
WEST ABUTMENT

Bar	No.	Size	Length	Shape
d101(E)	6	#6	3'-9"	
e106(E)	6	#4	1'-8"	
h100(E)	16	#5	38'-10"	
h101(E)	16	#5	34'-8"	
h102(E)	4	#6	38'-10"	
h103(E)	4	#6	34'-8"	
h104(E)	16	#5	8'-9"	
h105(E)	16	#5	9'-0"	
h106(E)	3	#5	13'-9"	
h107(E)	3	#5	5'-8"	
h108(E)	4	#5	16'-10"	
h109(E)	4	#5	20'-3"	
h110(E)	3	#5	1'-2"	
h111(E)	3	#5	1'-8"	
p100(E)	7	#7	38'-10"	
p101(E)	7	#7	34'-8"	
s100(E)	75	#5	14'-11"	
u100(E)	8	#5	7'-11"	
v100(E)	75	#5	8'-4"	
v101(E)	75	#5	6'-10"	
v102(E)	54	#5	2'-6"	
v103(E)	54	#5	2'-4"	
v104(E)	54	#4	5'-7"	
v105(E)	22	#5	9'-8"	
v106(E)	28	#5	8'-0"	
v107(E)	6	#5	2'-10"	
Reinforcement Bars, Epoxy Coated	Pound		6,650	
Concrete Removal	Cu. Yd.		41.2	
Concrete Structures	Cu. Yd.		74.0	
Structure Excavation	Cu. Yd.		53	
Bridge Seat Sealer	Sq. Ft.		241	
Epoxy Crack Sealing	Foot		21	
Structural Repair of Concrete (Less than or equal to 5')	Sq. Ft.		7	
Bicycle Railing, Special	Foot		11	

NOTES:

- Reinforcement bars designated (E) shall be epoxy coated.
- Work this sheet with sheet SW-24.
- See Sheet SW-2 for abutment drainage detail.



REVISIONS	
NAME	DATE

CITY OF AURORA

WEST ABUTMENT DETAILS
ILLINOIS AVENUE
OVER THE FOX RIVER
SECTION NO. 03-00247-00-BR
KANE COUNTY
STRUCTURE NO. 045-6009

DATE 7-28-2006