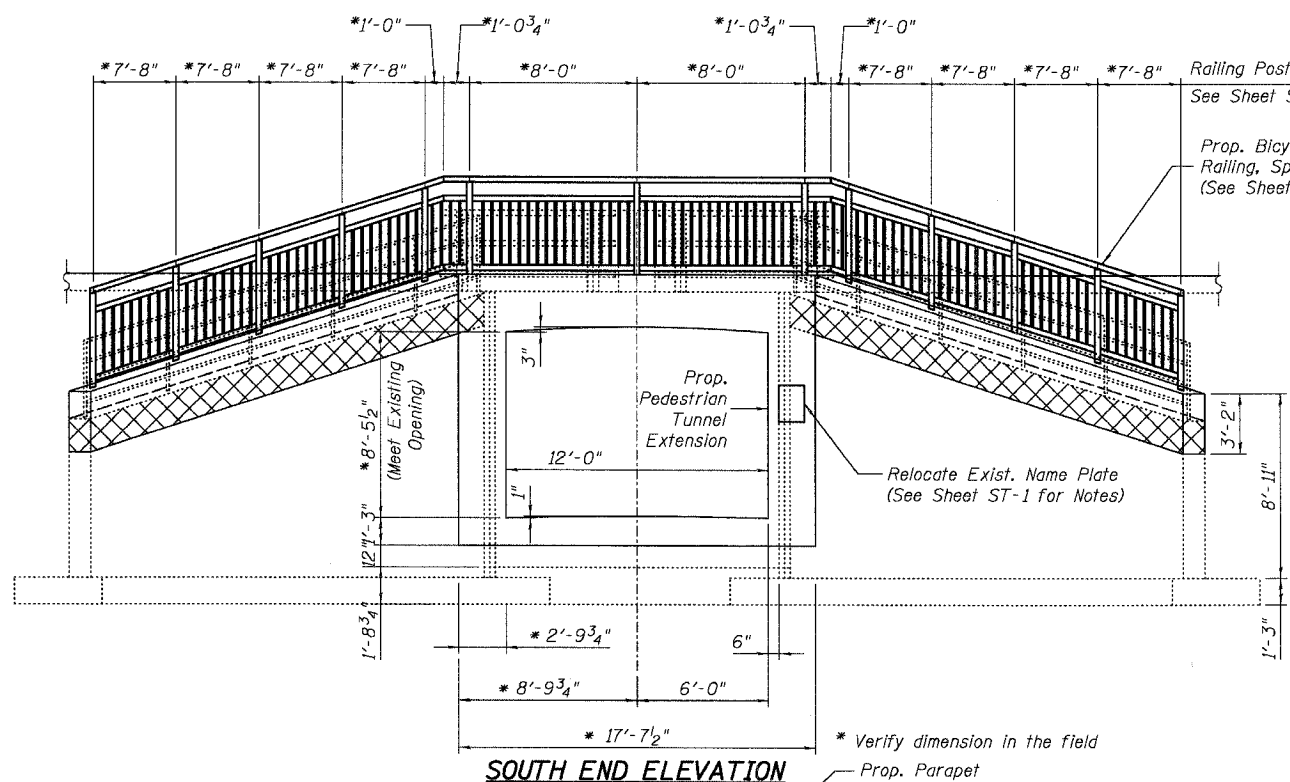
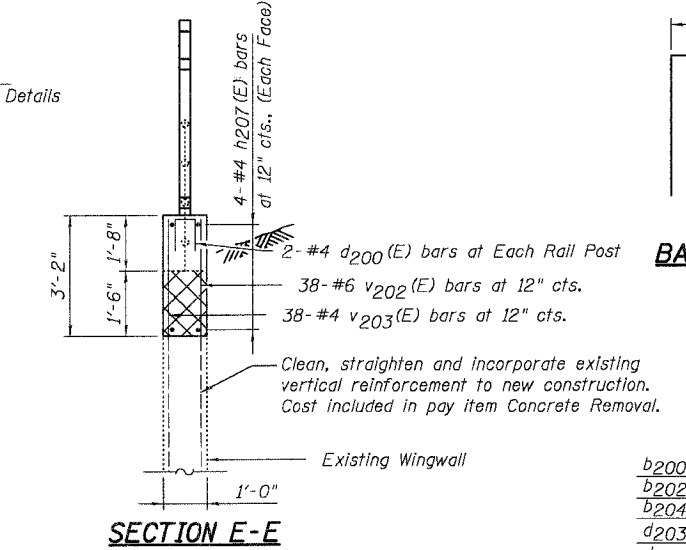


**SOUTH EXTENSION  
 BILL OF MATERIAL**

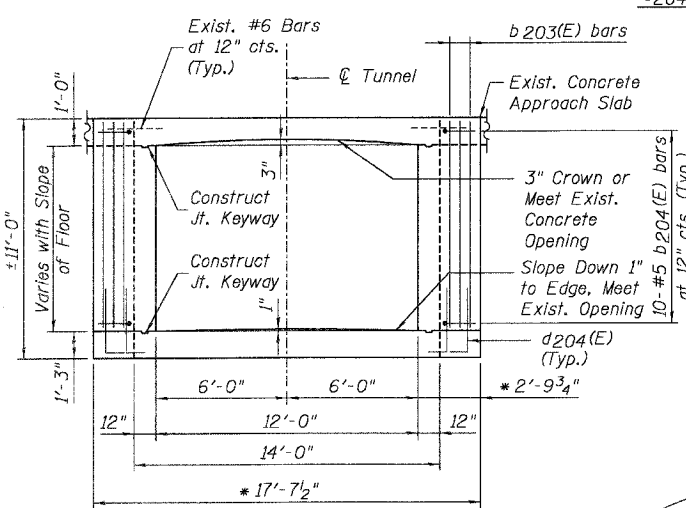
Bar	No.	Size	Length	Shape
Clea0(E)	13	# 7	18'-5"	—
Clea1(E)	5	# 7	17'-3"	—
Dlea0(E)	18	# 7	13'-9"	—
Dlea1(E)	10	# 7	8'-11"	—
Dlea2(E)	18	# 7	8'-4"	—
Dlea3(E)	14	# 5	9'-5"	—
Dlea4(E)	20	# 5	6'-3"	—
Dlea5(E)	62	# 5	3'-9"	—
Dlea6(E)	13	# 5	6'-0"	—
Dlea7(E)	16	# 4	37'-0"	—
Dlea8(E)	26	# 4	2'-2"	—
Dlea9(E)	30	# 6	4'-0"	—
Dlea10(E)	6	# 5	3'-6"	—
Dlea11(E)	6	# 4	13'-8"	—
Vlea0(E)	76	# 6	3'-0"	—
Vlea1(E)	76	# 4	3'-0"	—
Reinforcement Bars, Epoxy Coated			Pound	3,440
Concrete Structures			Cu. Yd.	17.3
Expansion Bolts 3/4 Inch			Each	28
Concrete Removal			Cu. Yd.	8.9



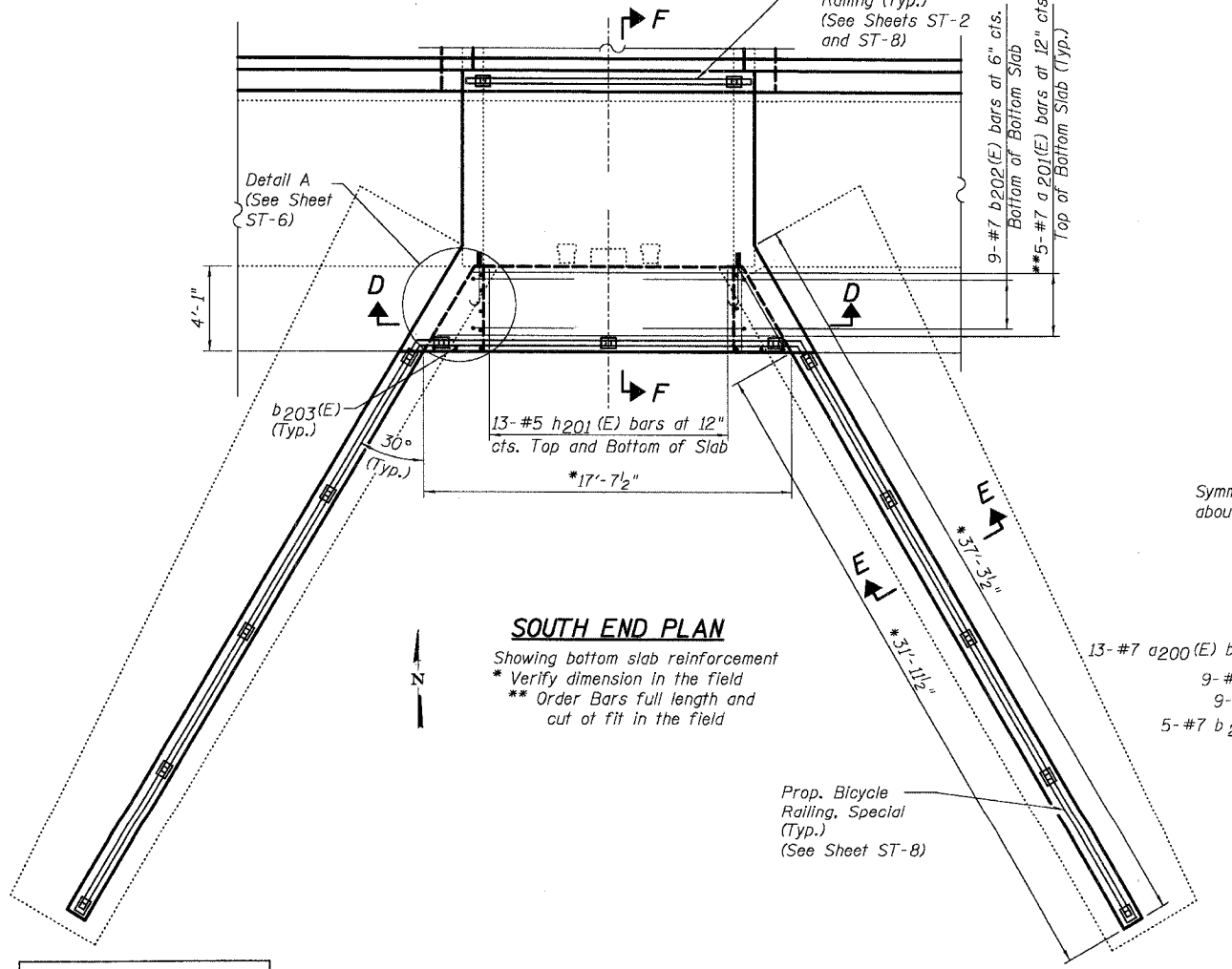
**SOUTH END ELEVATION**



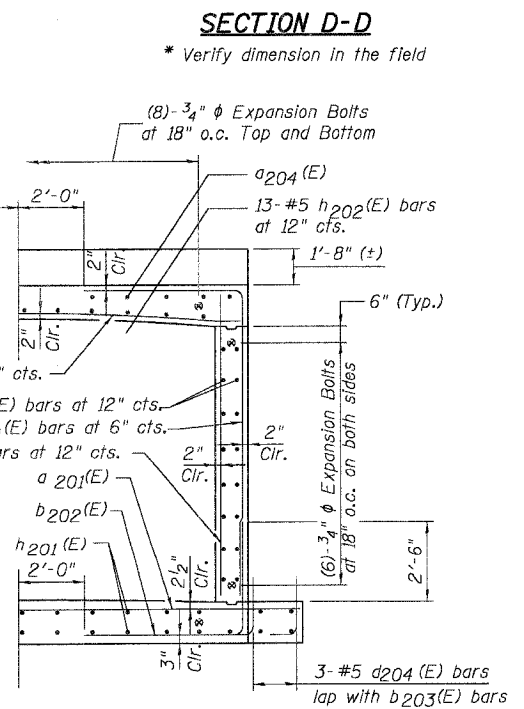
**SECTION E-E**



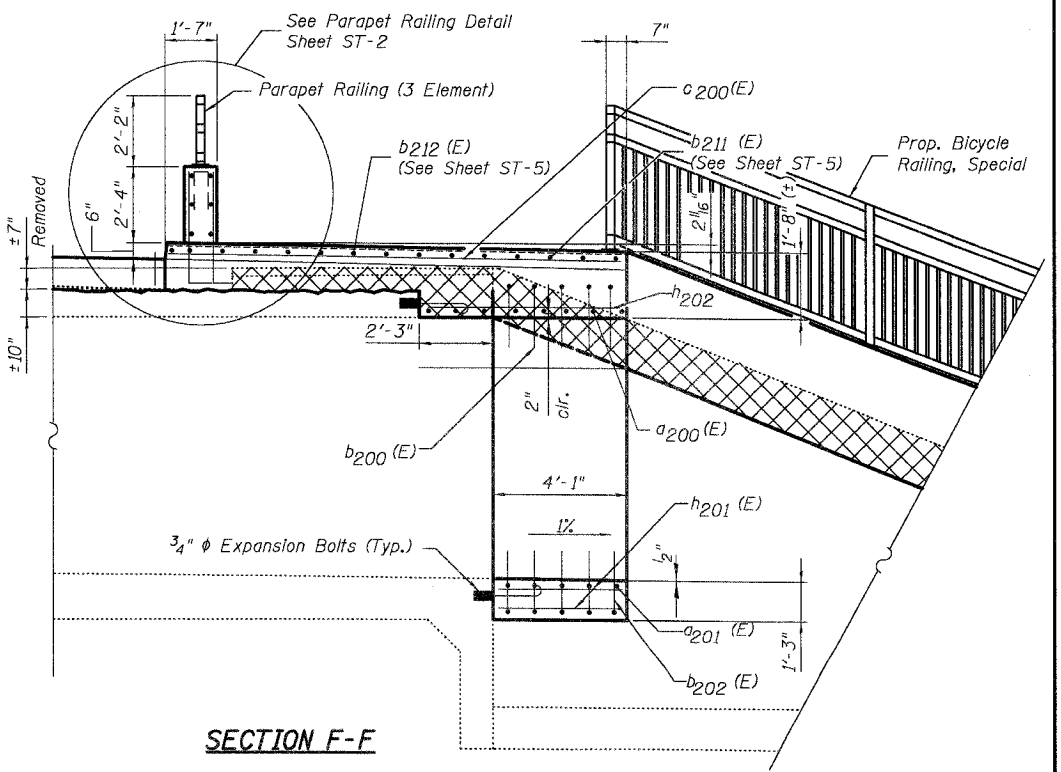
**SECTION D-D**



**SOUTH END PLAN**



**HALF SECTION D-D  
 SHOWING REINFORCEMENT**



**SECTION F-F**

Notes:  
 Reinforcement Bars designated (E) shall be Epoxy Coated.  
 Cost of Rubbed Finish included in the pay item Concrete Structures

DESIGNED	AEU
CHECKED	RGD
DRAWN	WJH
CHECKED	NRF

REVISIONS	NAME	DATE

**CITY OF AURORA**  
 TUNNEL EXTENSION DETAILS - SOUTH END  
 PEDESTRIAN TUNNEL  
 ILLINOIS AVENUE  
 OVER THE FOX RIVER  
 SECTION NO. 03-00247-00-BR  
 KANE COUNTY  
 DATE 7-28-2006

COMPANY NAME: SMITH ENGINEERING CONSULTANTS, INC.  
 CLIENT: AURORA  
 PROJECT: TUNNEL EXTENSION  
 SHEET: ST-7