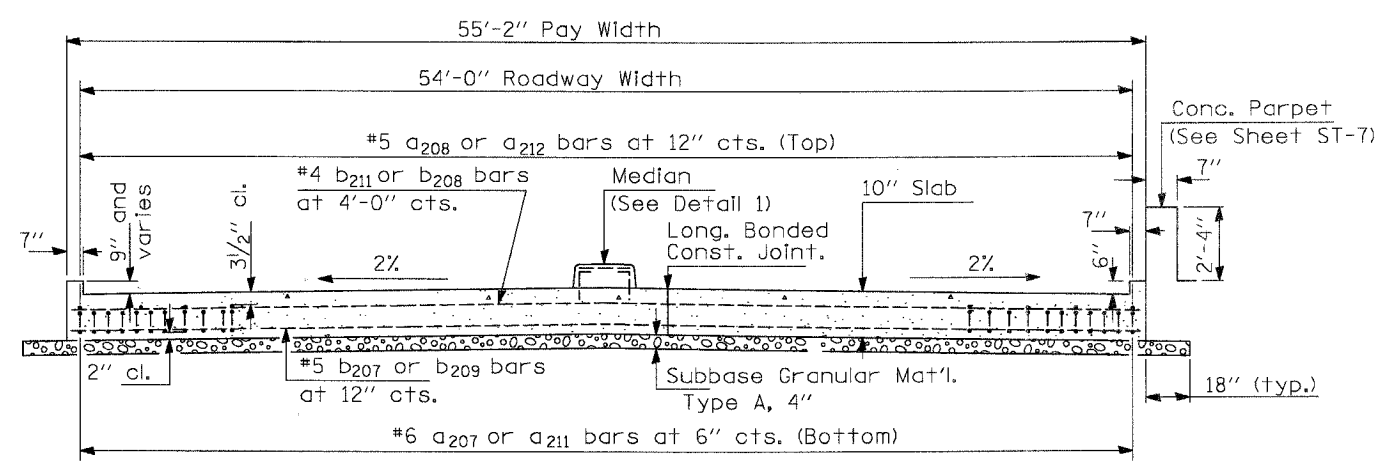
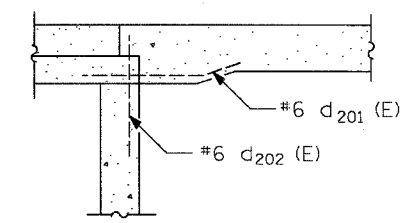
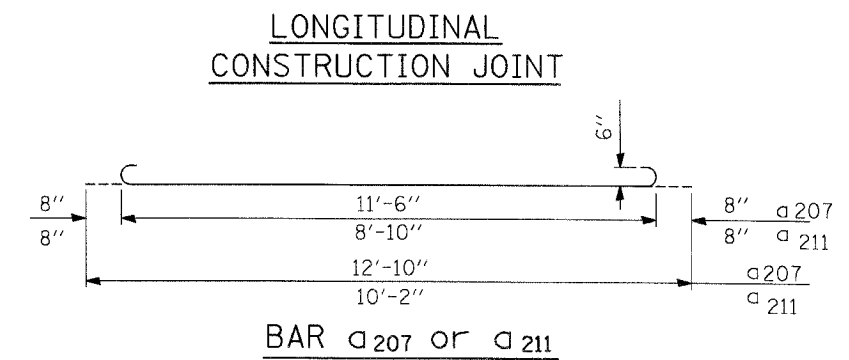
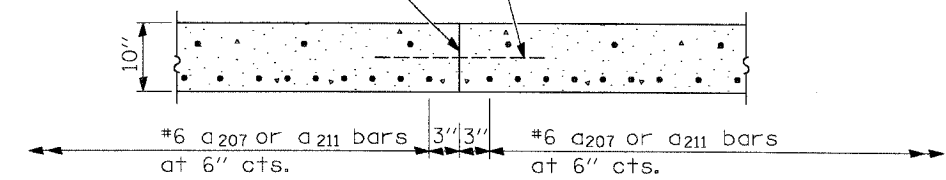


SECTION C-C
 ① Stagger #9 a₂₀₇ and a₂₁₁ bars as shown on plan - full width
 Tilt a₂₀₇ and a₂₁₁ bars in field to meet minimum clearance.

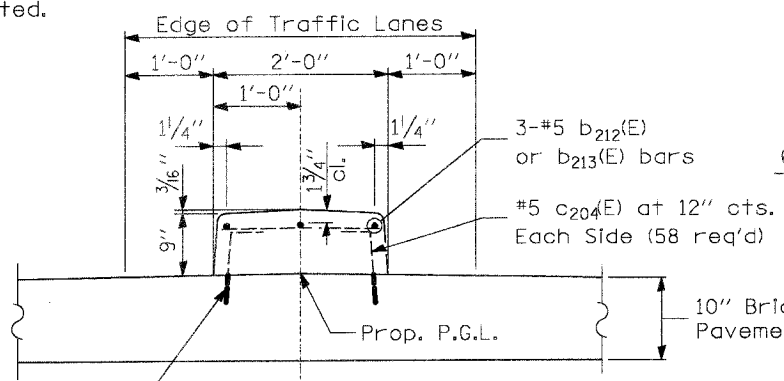


SECTION D-D
 (See Plan for Dimensions not shown)
 All reinforcement bars shall be epoxy coated.

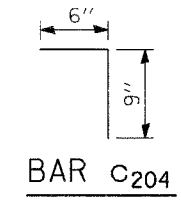
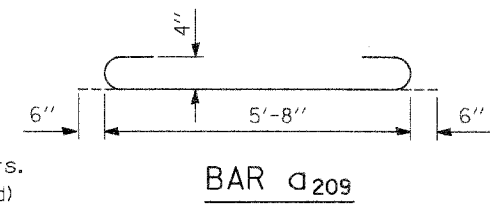
Longitudinal Construction Joint in accordance with details shown on Standard 420001.



SECTION E-E
 (See Section Thru Top of Deck on Sheet ST-5)



3/4" Ø Expansion Anchors (Epoxy Coated). Safe working load tension = 7,500 lbs. (Typ.)



DESIGN STRESSES
 f_y = 60,000 p.s.i.
 f'c = 3,500 p.s.i.
 n = 8.5

DESIGNED	AEU
CHECKED	RGD
DRAWN	WJH
CHECKED	NRF

REVISIONS	
NAME	DATE

CITY OF AURORA
 APPROACH PAVEMENT DETAILS II
 PEDESTRIAN TUNNEL
 ILLINOIS AVENUE
 OVER THE FOX RIVER
 SECTION NO. 03-00247-00-BR
 KANE COUNTY
 DATE 7-28-2006

CONTRACT NO. 03-00247-00-BR
 PROJECT NO. 03-00247-00-BR
 SHEET NO. ST-12
 DATE 7-28-2006