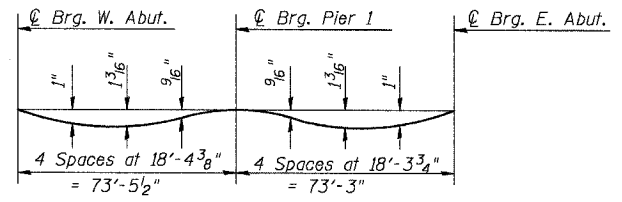


ROUTE NO.	SECTION	COUNTY	TOTAL SHEETS	SHEET NO.
FAU 1517	03-00247-00-BR	KANE	121	88
FED. ROAD DIST. NO. 1	BILLINGS	FED. AID PROJECT		

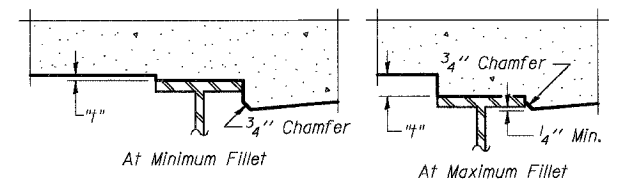
SHEET NO. SE-5  
SE-27 SHEETS

CONTRACT #83867



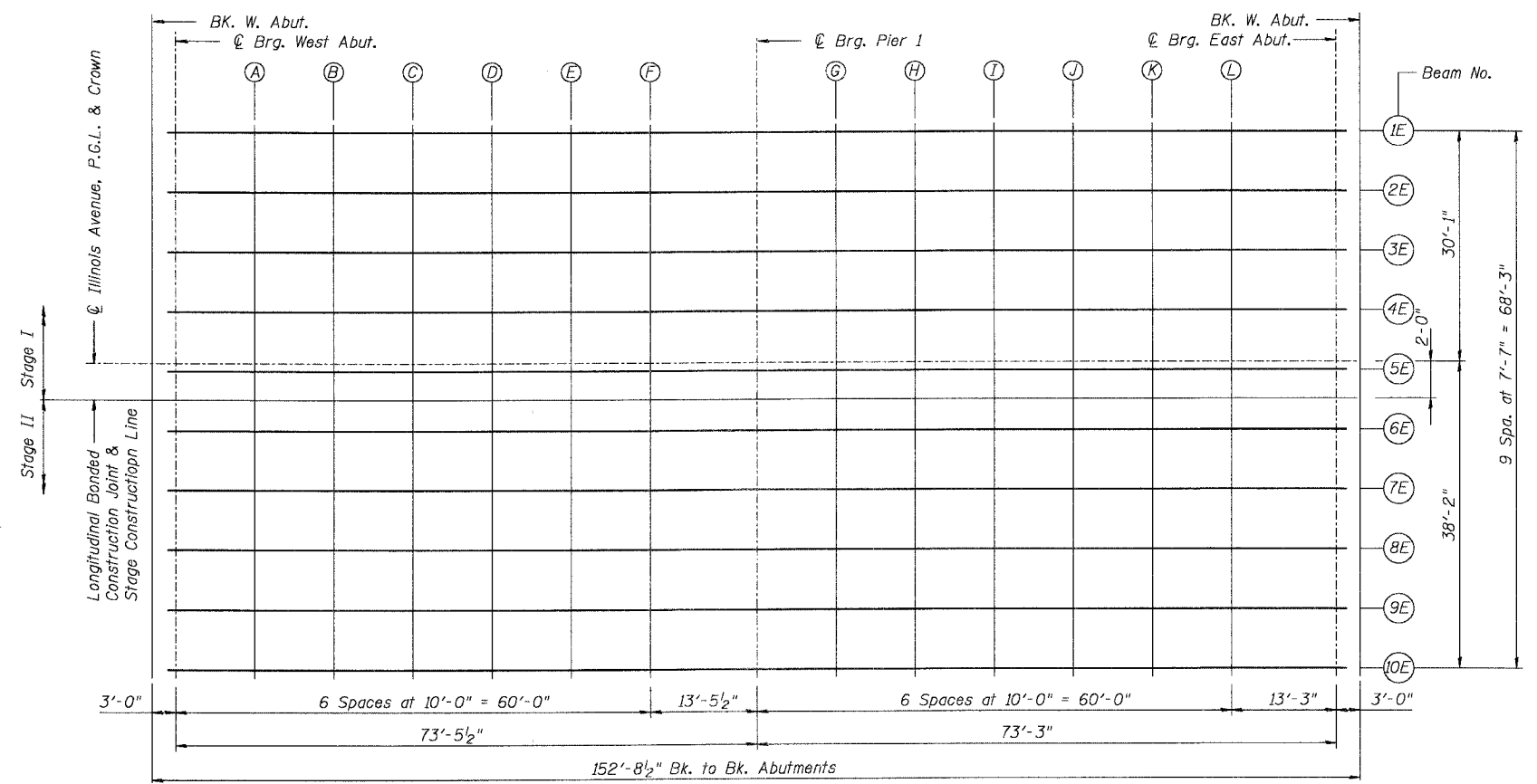
**DEAD LOAD DEFLECTION DIAGRAM**  
(Includes weight of concrete only.)

Note:  
The above deflections are not to be used in the field if the engineer is working from the grade elevations adjusted for dead load deflections as shown below.

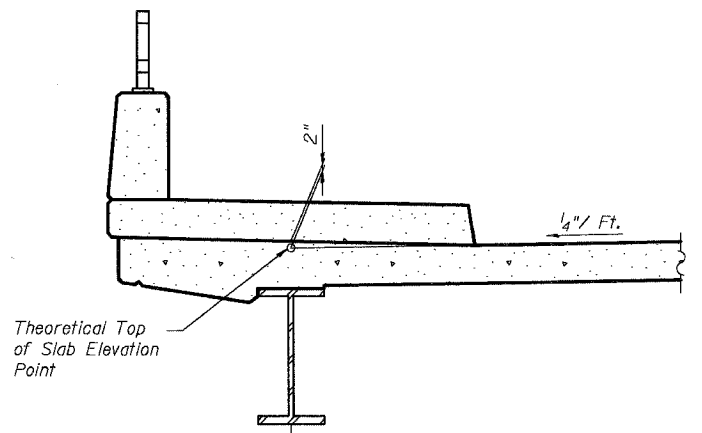


To determine "h": After all structural steel has been erected, elevations of the top flanges of the beams shall be taken at intervals shown below. These elevations subtracted from the "Theoretical Grade Elevations Adjusted for Dead Load Deflection" shown below, minus slab thickness, equals the fillet heights "h" above top flange of beams.

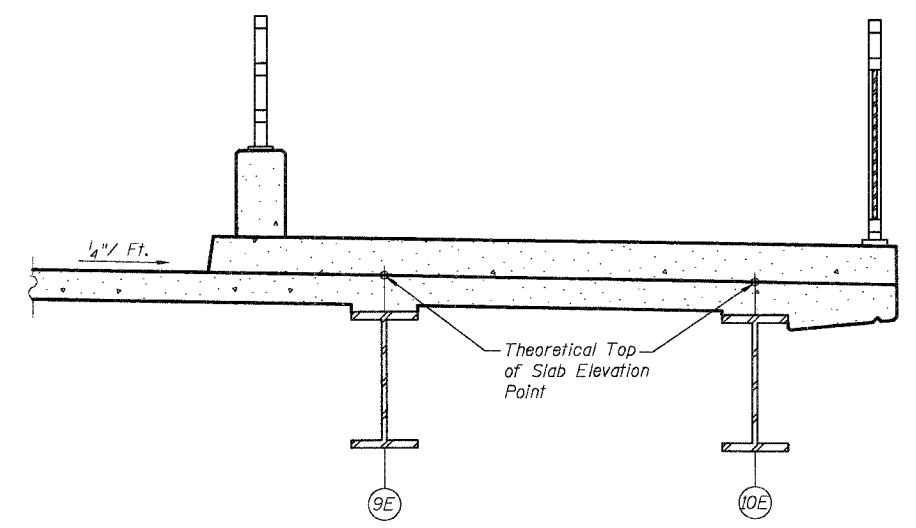
**FILLET HEIGHTS**



**PLAN**



**SECTION THRU SIDEWALK**



**SECTION THRU SHARED USE PATH**

DESIGNED	AEU
CHECKED	RGD
DRAWN	WJH
CHECKED	NRF

SMITH ENGINEERING CONSULTANTS, INC.	
CIVIL/STRUCTURAL ENGINEERS AND SURVEYORS	
REVISIONS	
NAME	DATE

CITY OF AURORA  
TOP OF DECK ELEVATIONS (1 of 5)  
ILLINOIS AVENUE  
OVER THE FOX RIVER  
SECTION NO. 03-00247-00-BR  
KANE COUNTY  
STRUCTURE NO. 045-6008  
DATE 7-28-2006

COMPANY NAME, INC. PROJECT CONTRACT NO. CLIENT, INC. DATE OF DRAWING: 7/28/06 DRAWN BY: WJH CHECKED BY: NRF