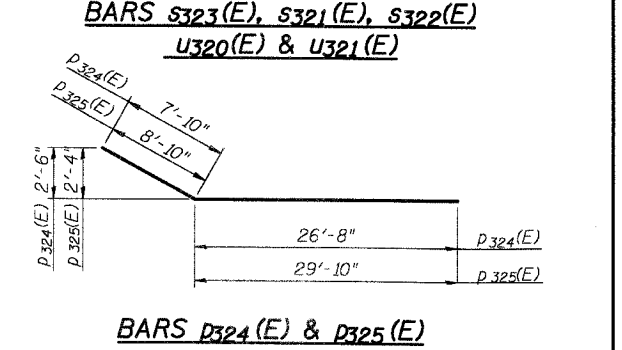


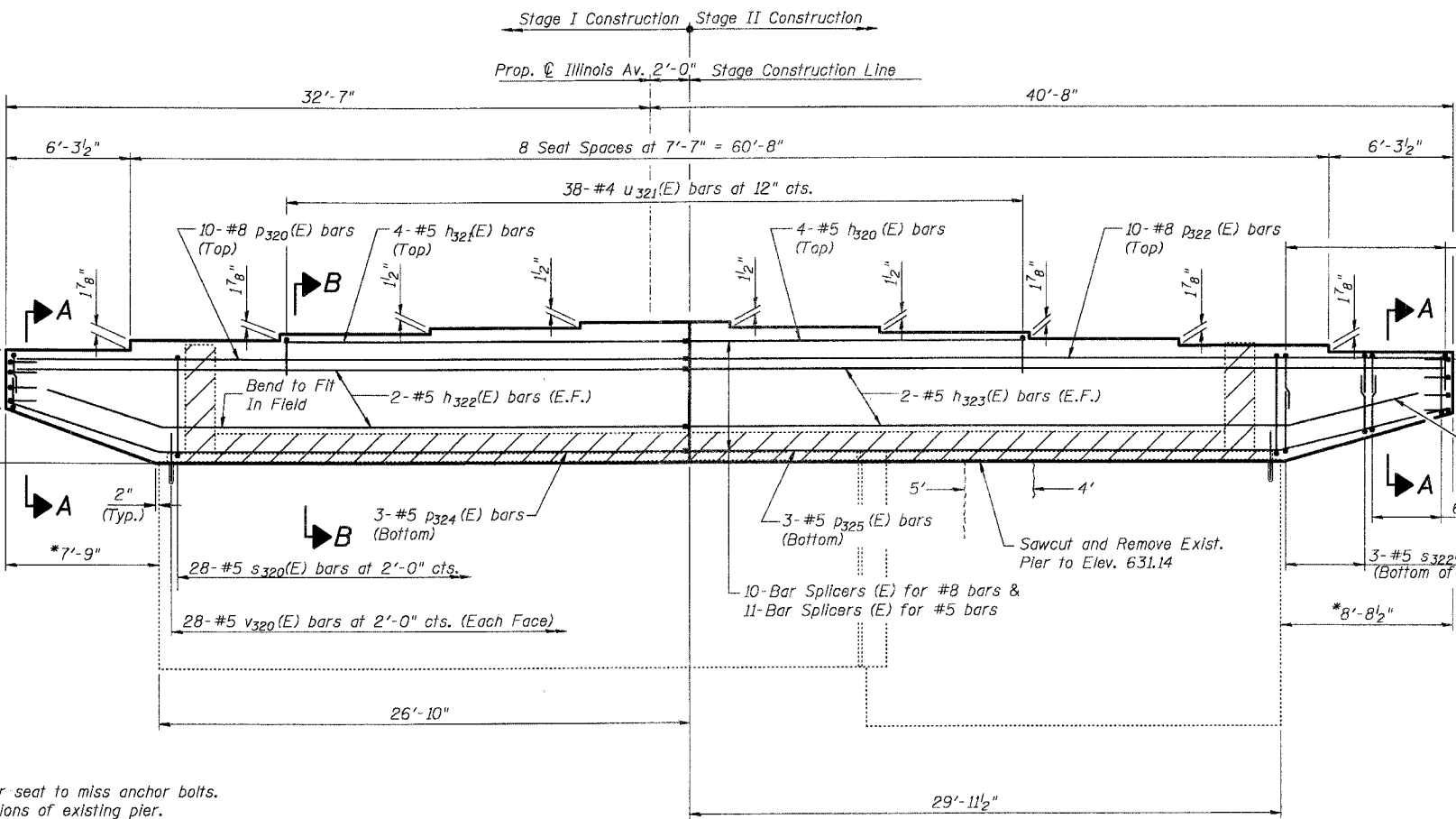
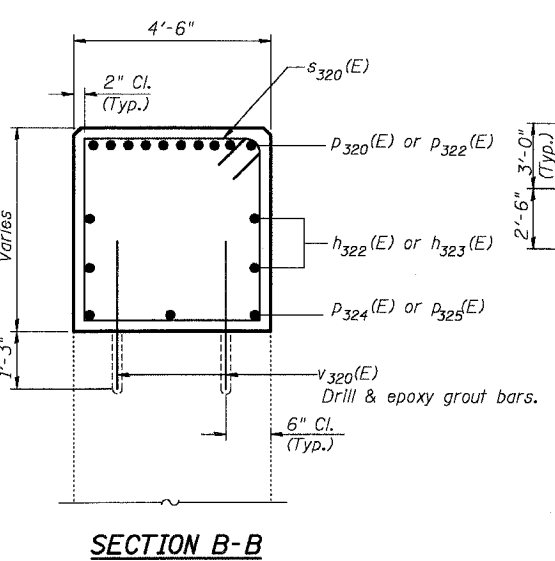
**BEAM SEAT ELEVATION TABLE**

Beam #	1E	2E	3E	4E	5E	6E	7E	8E	9E	10E
Seat Elevation	636.64	636.80	636.96	637.08	637.19	637.07	636.95	636.79	636.63	636.47

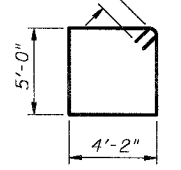


**LEGEND:**

- Indicates Concrete Removal Areas
- Indicates Epoxy Crack Sealing (Near Face)
- Indicates Epoxy Crack Sealing (Far Face)



**BILL OF MATERIAL  
PIER 1**



Bar No.	Size	Length	Shape
h320(E)	4	#5	16'-10"
h321(E)	4	#5	20'-3"
h322(E)	4	#5	34'-3"
h323(E)	4	#5	38'-4"
p320(E)	10	#8	34'-3"
p322(E)	10	#8	38'-4"
p324(E)	3	#5	34'-6"
p325(E)	3	#5	38'-8"
s320(E)	28	#5	19'-3"
s321(E)	12	#5	9'-8"
s322(E)	6	#5	10'-8"
s323(E)	18	#5	9'-8"
u320(E)	8	#6	9'-4"
u321(E)	38	#4	5'-10"
v320(E)	56	#5	2'-10"
Reinforcement Bars, Epoxy Coated		Pound	3,980
Concrete Removal		Cu. Yd.	16.5
Concrete Structures		Cu. Yd.	66.6
Epoxy Crack Sealing		Foot	9

DESIGNED	AEU
CHECKED	RGD
DRAWN	WJH
CHECKED	NRF

**NOTES:**  
Space reinforcement in pier seat to miss anchor bolts. Contractor to verify dimensions of existing pier. Cost for drilling and epoxy grouting v320(E) bars included in cost of Reinforcement Bars, Epoxy Coated.

REVISIONS	
NAME	DATE

CITY OF AURORA  
PIER 1 DETAILS  
ILLINOIS AVENUE  
OVER THE FOX RIVER  
SECTION NO. 03-00247-00-BR  
KANE COUNTY  
STRUCTURE NO. 045-6008  
DATE 7-28-2006

SMITH ENGINEERING CONSULTANTS, INC. CIVIL/STRUCTURAL ENGINEERS AND SURVEYORS 1211 N. WASHINGTON ST., SUITE 200, AURORA, IL 60180