

F.A. RTE.	SECTION	COUNTY	TOTAL SHEETS	SHEET NO.
-	06-00054-00-RS	DUPAGE	18	14
STA.		TO STA.		
FED. ROAD DIST. NO.	ILLINOIS	FED. AID PROJECT		

CONTRACT NO. 83877

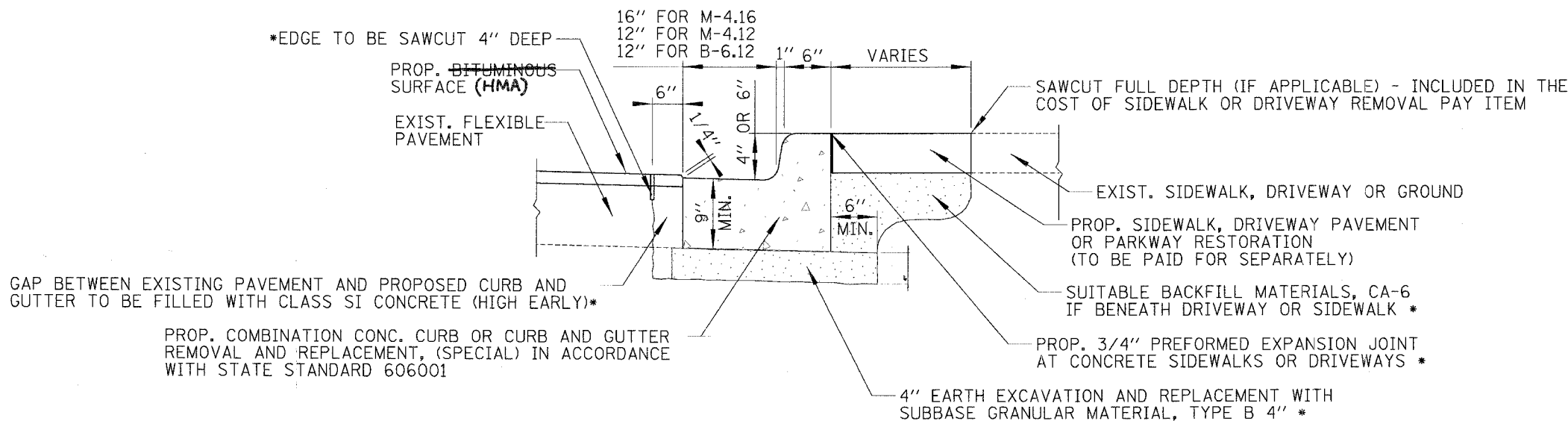
DATE	BY

CHRISTOPHER B. BURKE ENGINEERING LTD.
 9575 West Higgins Road, Suite 600
 Rosemont, Illinois 60018
 (847) 823-0500



DATE	BY

PROFILE	REVIEWED
NOTE BOOK	DATE
NO.	



NOTE:
 LONGITUDINAL BARS, IF ENCOUNTERED IN THE EXISTING CURB OR CURB AND GUTTER, ARE NOT TO BE REPLACED. CUTTING AND REMOVING LONGITUDINAL BARS SHALL BE INCLUDED IN THE COST OF CURB OR CURB AND GUTTER REMOVAL AND REPLACEMENT, (SPECIAL).
 * INCLUDED IN THE COST FOR COMBINATION CONCRETE CURB AND GUTTER REMOVAL AND REPLACEMENT, (SPECIAL)

COMBINATION CURB AND GUTTER REMOVAL AND REPLACEMENT (SPECIAL) AND COMBINATION CURB AND GUTTER REMOVAL

REVISIONS		ILLINOIS DEPARTMENT OF TRANSPORTATION COMB. CURB AND GUTTER REMOVAL AND REPLACEMENT (SPEC.) AND COMB. CURB AND GUTTER REMOVAL
NAME	DATE	

SCALE N.T.S. DRAWN BY
 DATE 9/18/2006 CHECKED BY LMF