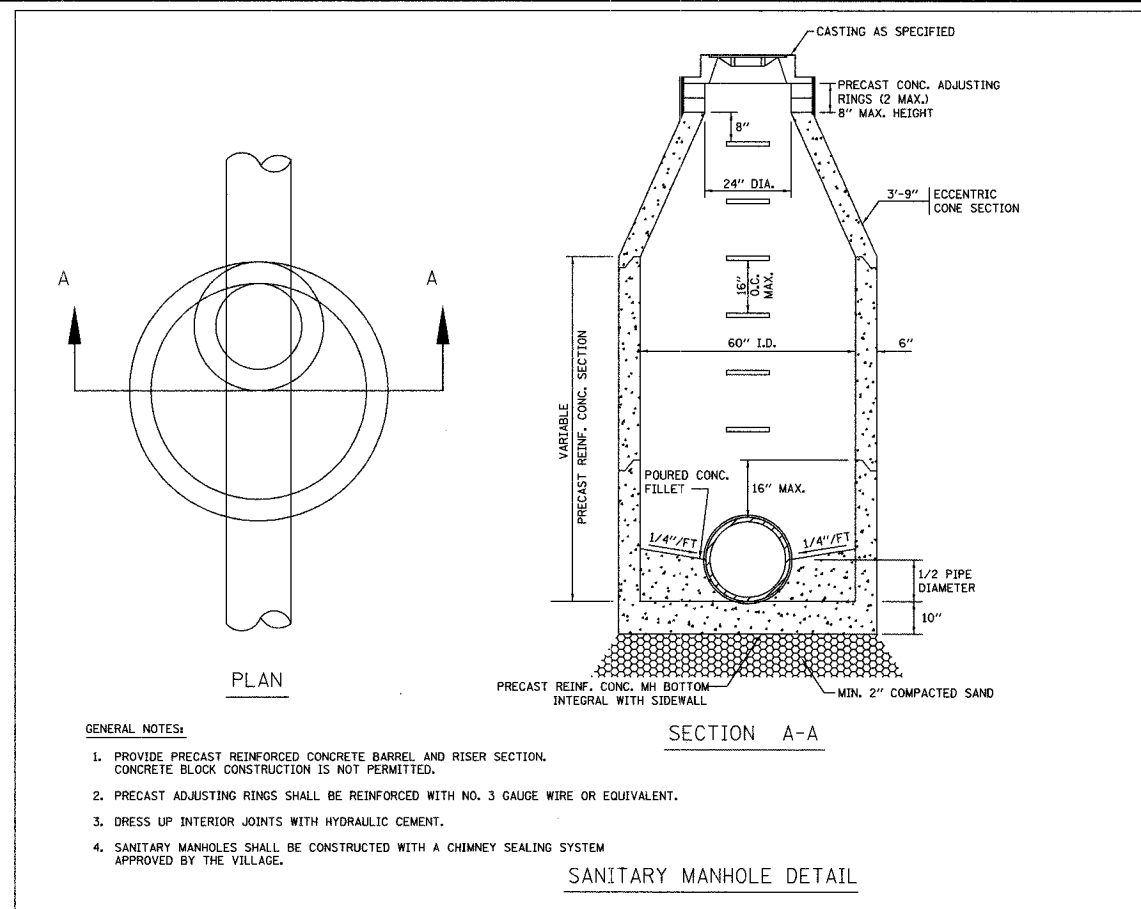
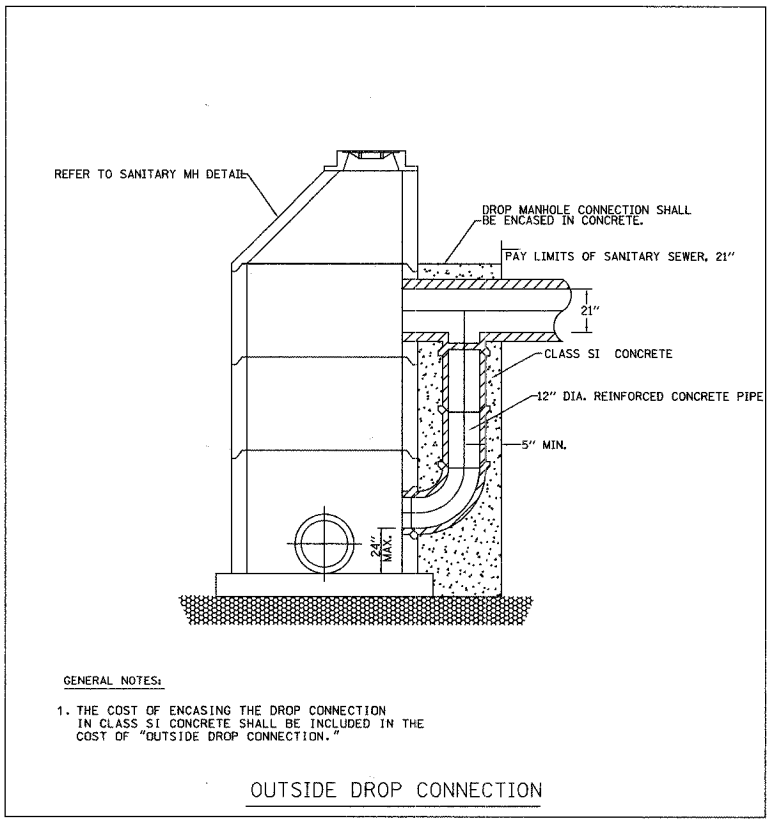


CONTRACT NO. 83880				
F.A.L. RTE.	SECTION	COUNTY	TOTAL SHEETS	SHEET NO.
0177	01-00168-06-BT	LAKE	38	24
DETAILS				
FED. ROAD DIST. NO. 7 ILLINOIS FED. AID PROJECT HD-80036959				



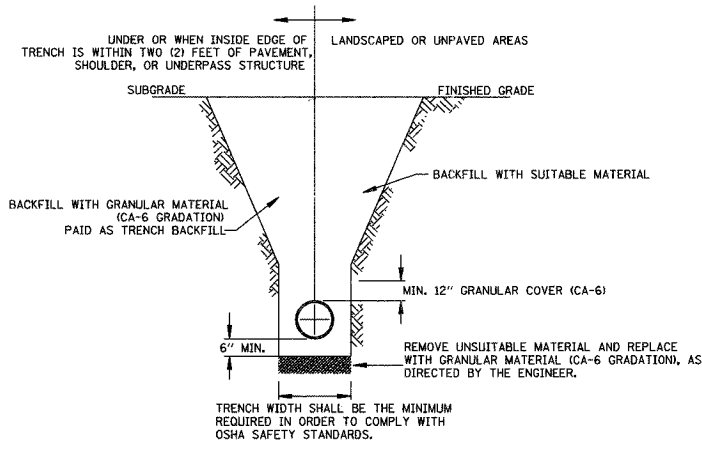
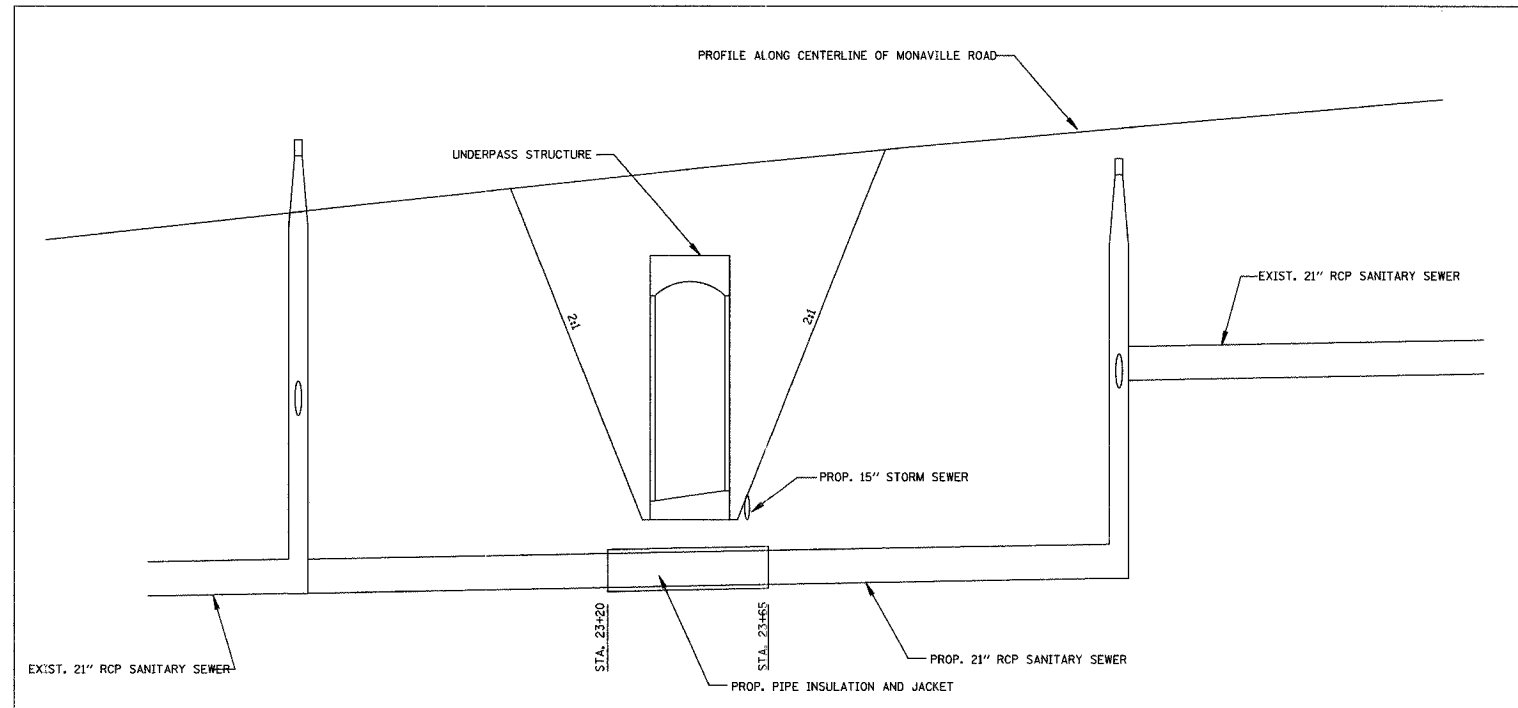
- GENERAL NOTES:**
1. PROVIDE PRECAST REINFORCED CONCRETE BARREL AND RISER SECTION. CONCRETE BLOCK CONSTRUCTION IS NOT PERMITTED.
  2. PRECAST ADJUSTING RINGS SHALL BE REINFORCED WITH NO. 3 GAUGE WIRE OR EQUIVALENT.
  3. DRESS UP INTERIOR JOINTS WITH HYDRAULIC CEMENT.
  4. SANITARY MANHOLES SHALL BE CONSTRUCTED WITH A CHIMNEY SEALING SYSTEM APPROVED BY THE VILLAGE.

**SANITARY MANHOLE DETAIL**



- GENERAL NOTES:**
1. THE COST OF ENCASED THE DROP CONNECTION IN CLASS S1 CONCRETE SHALL BE INCLUDED IN THE COST OF "OUTSIDE DROP CONNECTION."

**OUTSIDE DROP CONNECTION**



- GENERAL NOTES:**
1. CONTRACTOR SHALL CONDUCT HIS OPERATIONS IN A SAFE MANNER AT ALL TIMES AND SHALL COMPLY WITH ALL APPLICABLE GOVERNING REGULATIONS, INCLUDING BUT NOT LIMITED TO OSHA SAFETY STANDARDS.
  2. BACKFILL MATERIALS SHALL BE PLACED IN LIFTS TWELVE INCHES (12") THICK (LOOSE MEASURE) AND EACH LAYER SHALL BE COMPACTED BY RAMMING OR TAMPING TO ACHIEVE REQUIRED COMPACTION.

**SANITARY SEWER DETAIL**

REVISIONS	
NAME	DATE

ILLINOIS DEPARTMENT OF TRANSPORTATION  
**MONVILLE ROAD BIKE PATH UNDERPASS**  
**DETAILS**  
 CHECKED BY: D.J.K.  
 DATE: 10/18/06  
 NOT TO SCALE