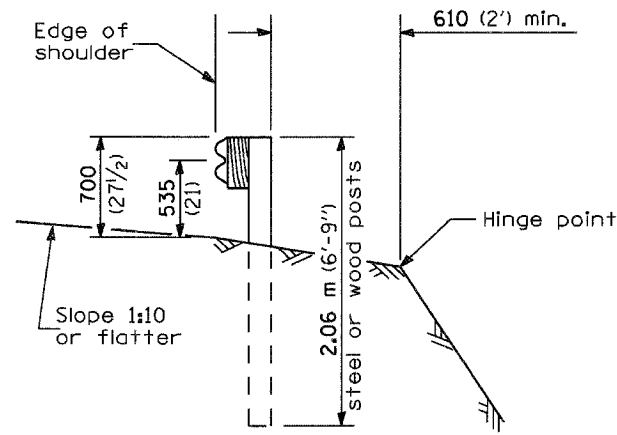
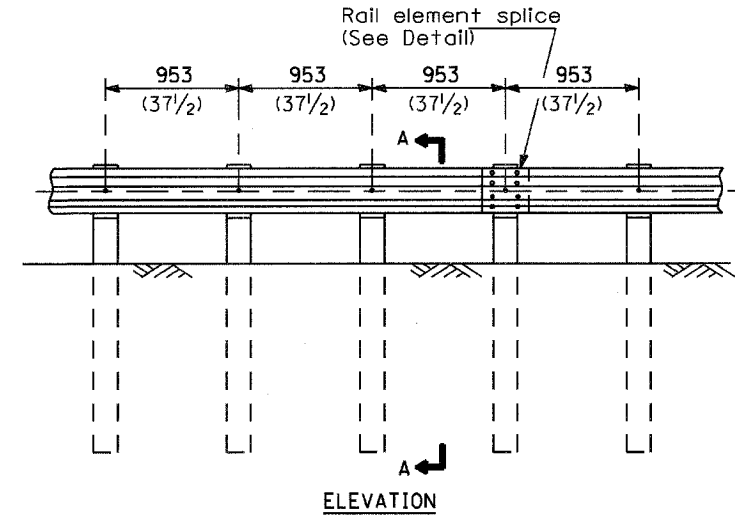


TYPE A

1.905 m (6'-3") Typical post spacing

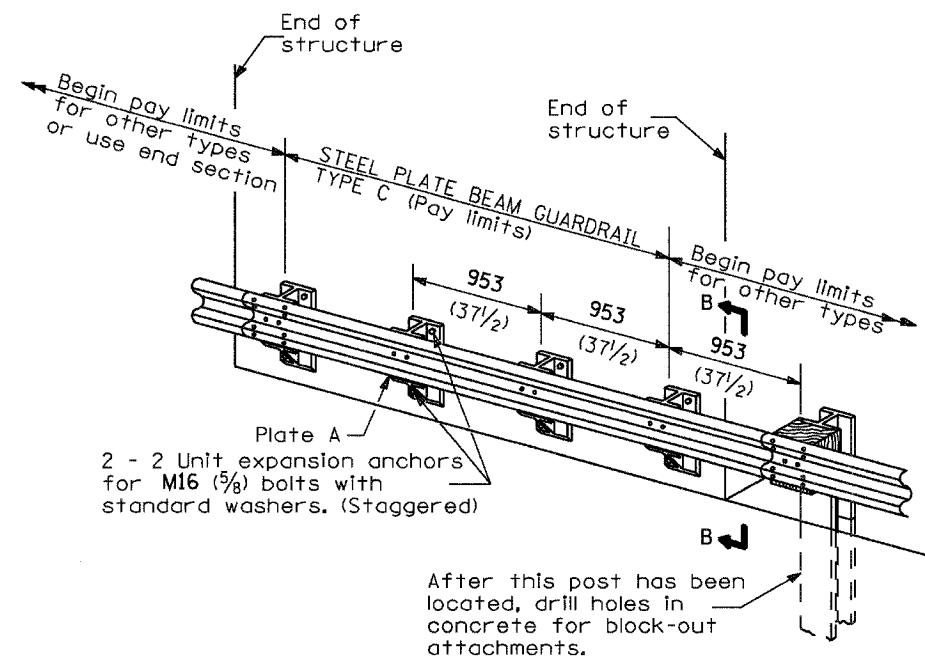


SECTION A-A



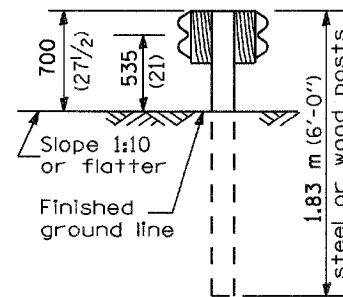
TYPE B

953 (37 1/2) Closed post spacing

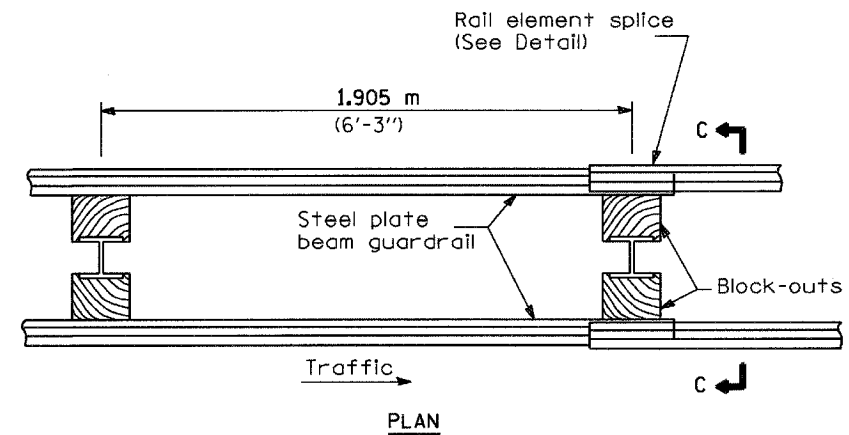


TYPE C

953 (37 1/2) Block-out spacing

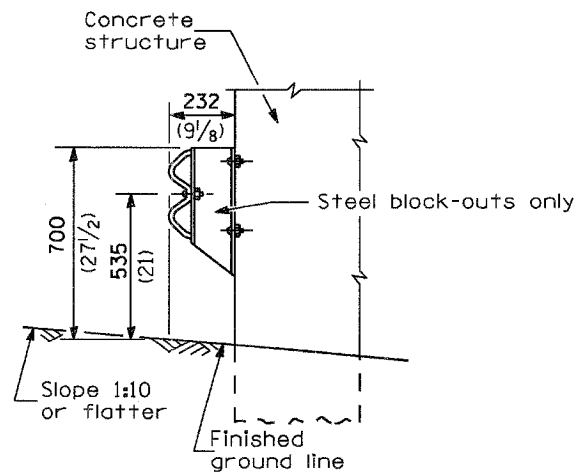


SECTION C-C



TYPE D

Double steel plate beam guardrail
1.905 m (6'-3") typical post spacing



SECTION B-B

GENERAL NOTES

All slope ratios are expressed as units of vertical displacement to units of horizontal displacement (V:H).

All dimensions are in millimeters (Inches) unless otherwise shown.

Illinois Department of Transportation	
PASSED <u>Apr 11, 2006</u> ENGINEER OF POLICY AND PROCEDURES APPROVED <u>Apr 11, 2006</u> ENGINEER OF DESIGN AND ENVIRONMENT	ISSUED 1-1-97

DATE	REVISIONS
4-1-06	Deleted plate washer F.
1-1-05	Rev. post in impervious material on sheet 4.

STEEL PLATE BEAM GUARDRAIL

(Sheet 1 of 4)

STANDARD 630001-06