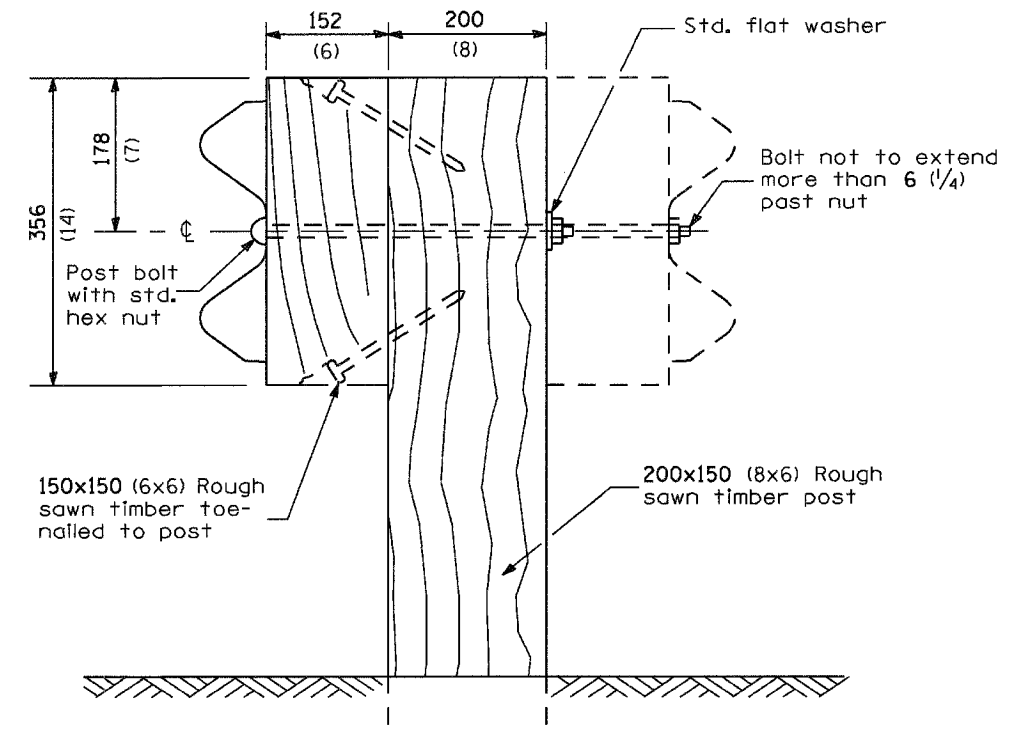
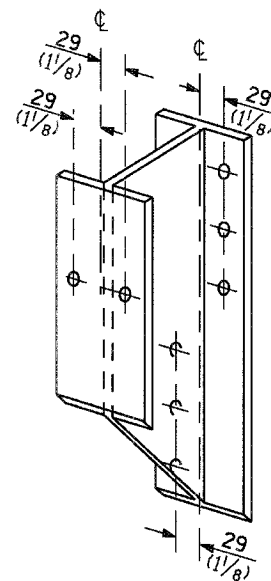


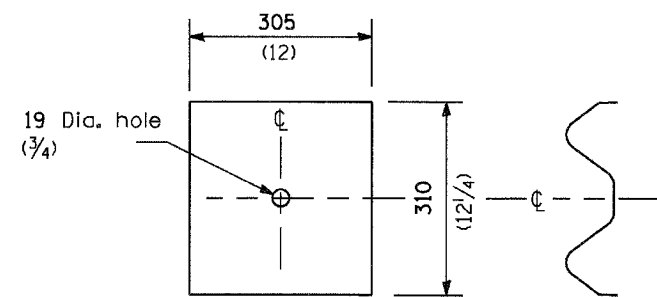
**STEEL POST CONSTRUCTION**



**WOOD POST CONSTRUCTION**



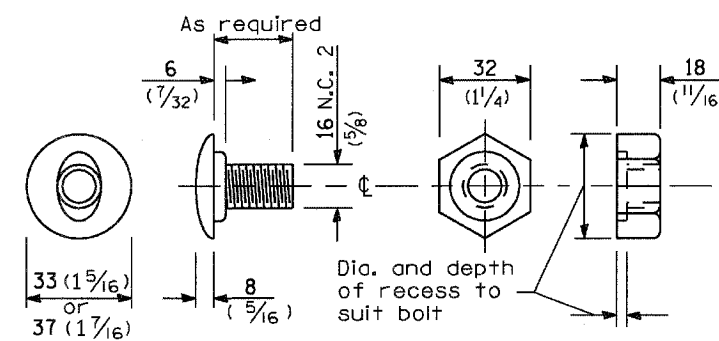
**STEEL BLOCK-OUT DETAIL**



NOTE

Plate A shall be placed between rail element and block-out at non-splice mounting points only when steel block-outs are used.

**PLATE A**



**POST OR SPLICE BOLT & NUT**

Illinois Department of Transportation  
 PASSED April 1, 2006  
 ENGINEER OF POLICY AND PROCEDURES  
 APPROVED April 1, 2006  
 ENGINEER OF DESIGN AND ENVIRONMENT

**STEEL PLATE BEAM  
 GUARDRAIL**  
 (Sheet 2 of 4)  
**STANDARD 630001-06**