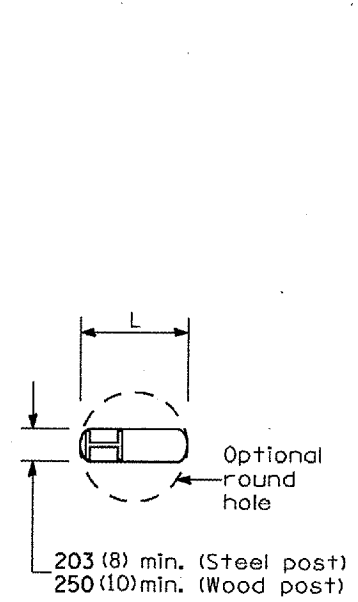
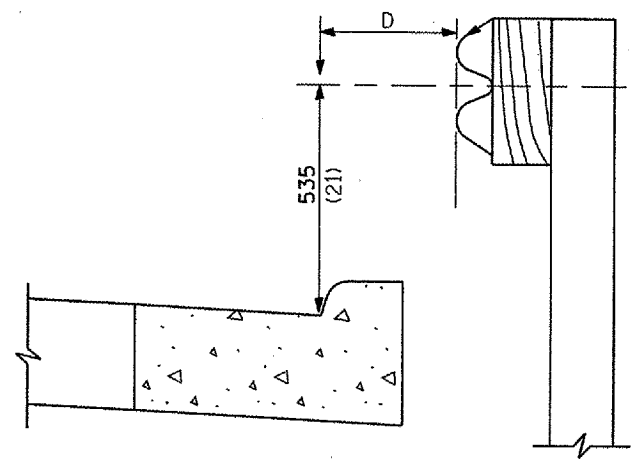


90933

F.A. RTE.	SECTION	COUNTY	TOTAL SHEETS	SHEET NO.
			31	100
FED. ROAD DIST. NO.		ILLINOIS	FED. AID PROJECT	



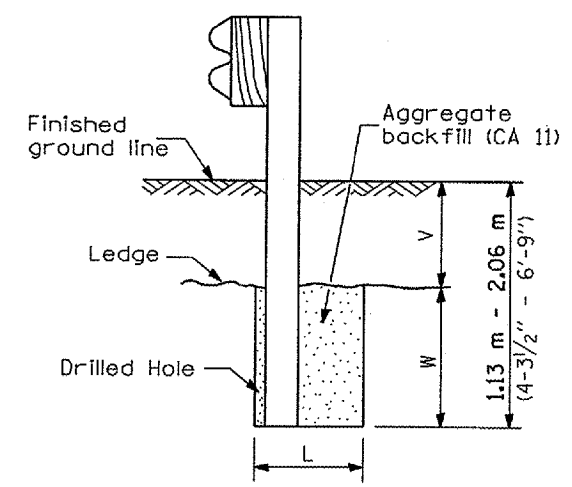
PLAN



Note:
If it is necessary for D to be more than 300 (12) and less than 3.0 m (10'-0") type M-5 (M-2) curb and gutter (Std. 606001) shall be used in front of and in advance of the guardrail.

GUARDRAIL PLACED BEHIND CURB

(D = 0 desirable to 300 (12) maximum)

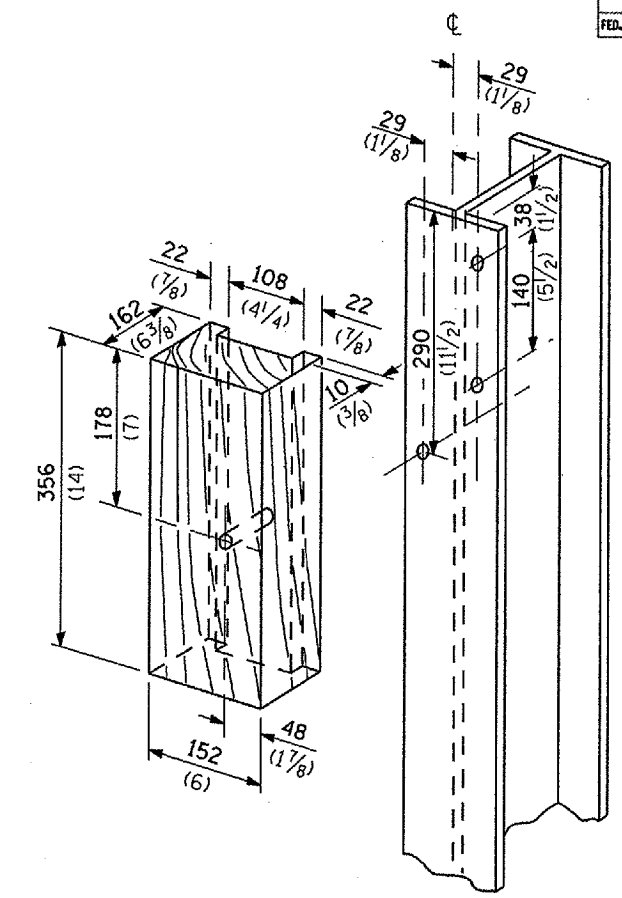


Note:
Ledge line is top of rock ledge or hard slag fill.

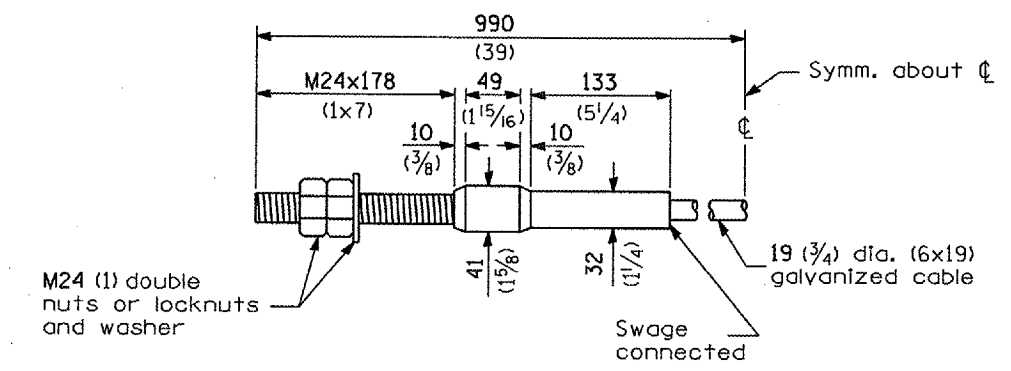
ELEVATION

FOOTING FOR POST WHEN IMPERVIOUS MATERIAL IS ENCOUNTERED

V	W	L	
		Steel Post	Wood Post
0 - 460 (0 - 18)	610 (24)	530 (21)	580 (23)
>460 - 825 (>18 - 41.5)	305 (12)	203 (8)	250 (10)
>825 - 1.13 m (>41.5 - 53.5)	305 - 0 (12 - 0)	203 (8)	250 (10)



WOOD BLOCK-OUT AND STEEL POST DETAILS



CABLE ASSEMBLY
(18,100 kg (40,000 lbs.) min. breaking strength)
Tighten to taut tension.

REMOVE AND REERECT STEEL PLATE BEAM GUARDRAIL
(Sheet 4 of 4)

DETAIL

△ ADDED 1/4/07